

Excellent Integrated System Limited

Stocking Distributor

Click to view price, real time Inventory, Delivery & Lifecycle Information:

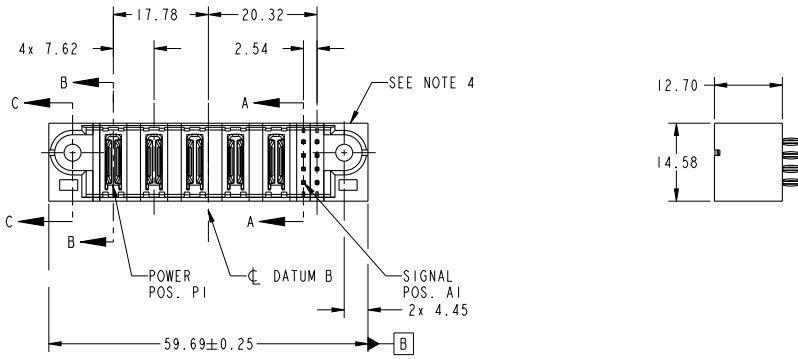
[FCI](#)

[51952-253LF](#)

For any questions, you can email us directly:

sales@integrated-circuit.com

PRODUCT NO.	ROWS	POWER					SIGNAL		
		E1	P1	P2	P3	P4	P5	1	2
51952-253-- NOTE ③	D C B A								



CODE	DIM "M" MATING LENGTH	CONTACT TYPE
PC	[N/A]	POWER
G	[6.86]	SIGNAL

spec ref	See Notes		dr	Jackie Huang	2013/07/16	projection		size	A4	scale	1:1	
tolerance std	TOLERANCES UNLESS OTHERWISE SPECIFIED		eng	Jackie Huang	2013/11/08	product family	PwrBlade	ecn no	-	rel level	Released	
See Notes			chr	-	-			cat. no.	51952-253	rev	A	
surface	linear	0.X ±0.50			VERTICAL PF HEADER		www.fci.com		Product - Customer Drw		sheet 1 of 4	
		0.XX ±0.25										
		0.XXX ±0.10										
	angular	0° ±2°										

Print File - REV C - 2009-08-09

1

2

3

PDS: Rev :A

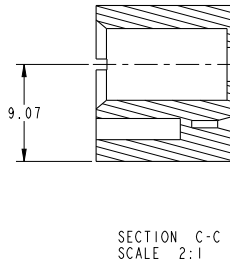
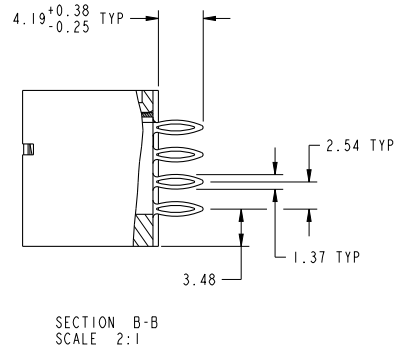
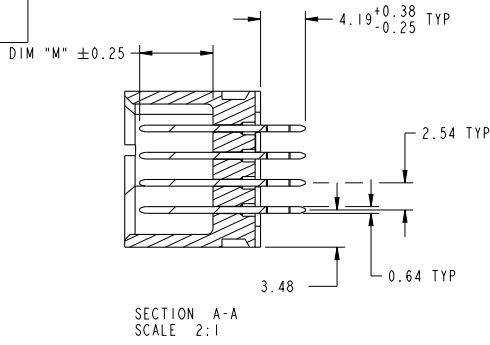
STATUS:Released

Printed: Nov 08, 2013



Copyright FCI.

PRODUCT NUMBER
51952-253--
NOTE 3



dr	Jackie Huang	2013/07/16	projection	MM	size	A4	scale	1:1			
eng	Jackie Huang	2013/11/08			ecn no	-					
chr	-	-	product family	PwrBlade	rel level	Released					
appr	Pei-Ming Zheng	2013/11/08			title	5ACP+8S		dwg no	51952-253	rev	A
www.fci.com			cat. no.	Product - Customer Drw			sheet 2 of 4				

Print File : REV C - 2009-08-09

PDS: Rev :A

STATUS:Released

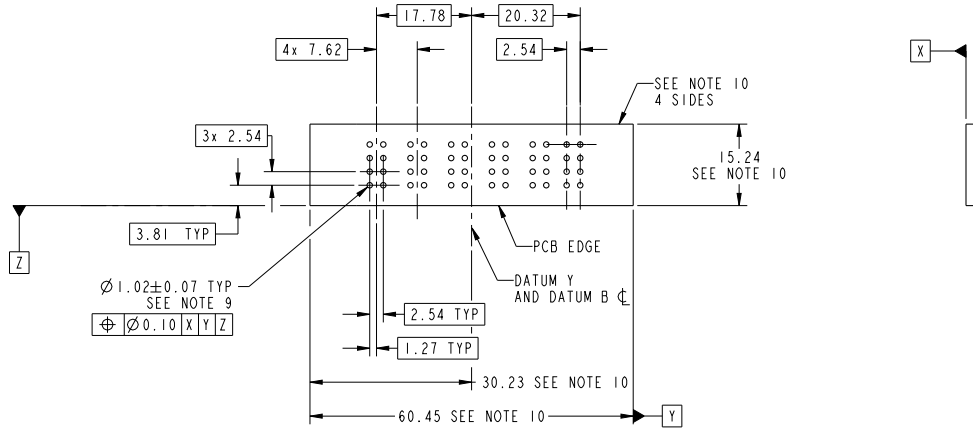
Printed: Nov 08, 2013



Copyright FCI.

PRODUCT NUMBER

51952-253--
NOTE 3



RECOMMENDED PCB LAYOUT

dr	Jackie Huang	2013/07/16	projection	MM	size	A4	scale	1:1
eng	Jackie Huang	2013/11/08			ecn no	-	rel level	Released
chr	-	-			product family	PwrBlade	rev	A
appr	Pei-Ming Zheng	2013/11/08			title	5ACP+8S		cat. no.
					dwg no	51952-253		Product - Customer Drw
							sheet 3 of 4	

Print File - REV C - 2009-08-09

PDS: Rev :A

STATUS:Released

Printed: Nov 08, 2013



Copyright FCI.

PRODUCT NUMBER
51952-253...
NOTE 3

NOTES:

1. DIMENSIONS AND TOLERANCES ARE IN ACCORDANCE WITH ASME Y14.5M, 1994 UNLESS OTHERWISE SPECIFIED.

CONNECTOR NOTES:

2. HOUSING MATERIAL: UL 94 V-0 GLASS FILLED HIGH-TEMP THERMOPLASTIC
POWER CONTACT MATERIAL: COPPER ALLOY
SIGNAL PIN MATERIAL: COPPER ALLOY

3. SEE ITEM 3 & 4 IN PRINT 10064183 FOR PLATING SPEC OF 51952-253 AND 51952-253LF RESPECTIVELY.

4. MANUFACTURER'S NAME, DATE CODE AND OPTIONAL P/N TO APPEAR ON THIS SURFACE, THE MARK CAN BE OMITTED IF THERE IS NOT ENOUGH SPACE ON THIS SURFACE.

5. PRODUCT SPECIFICATION GS-12-149.
APPLICATION SPECIFICATION BUS-20-067.

6. PACKAGED IN TRAYS.

PCB NOTES:

7. ALL HOLE DIAMETERS ARE FINISHED HOLE SIZE.
8. MOUNTING HOLES, WHERE APPLICABLE, ARE UNPLATED.

9. $\varnothing 1.151 \pm 0.025$ DRILLED HOLES PLATED WITH
0.008 MIN SnPb OR Sn OVER .001 [0.03]
TO 0.08 Cu PLATING TO ACHIEVE
 $\varnothing 1.02 \pm 0.07$ HOLE.

10. CONNECTOR KEEP-OUT ZONE.

11. FOR PRESS FIT APPLICATION USE FCI CAM TOOL 430169-XXX.



Copyright FCI.

dr	Jackie Huang	2013/07/16	projection	MM	size	A4	scale	1:1
eng	Jackie Huang	2013/11/08			ecn no	-	rel level	Released
chr	-	-	product family	PwrBlade	cat. no.	51952-253	rev	A
appr	Pei-Ming Zheng	2013/11/08	www.fci.com		Product - Customer Drw		sheet 4 of 4	

Print File - REV C - 2009-08-09