

## Excellent Integrated System Limited

Stocking Distributor

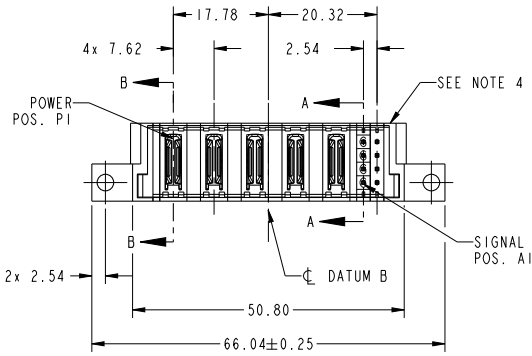
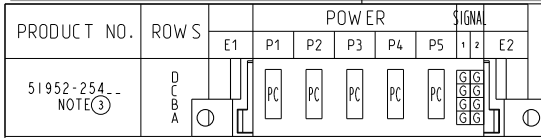
Click to view price, real time Inventory, Delivery & Lifecycle Information:

[FCI](#)

[51952-254LF](#)

For any questions, you can email us directly:

[sales@integrated-circuit.com](mailto:sales@integrated-circuit.com)



CODE	DIM "M" MATING LENGTH	CONTACT TYPE
PC	[N/A]	POWER
G	[6.86]	SIGNAL

spec ref	See Notes		dr	Jackie Huang	2013/07/16	projection	MM	size	A4	scale	1:1			
tolerance std	TOLERANCES UNLESS OTHERWISE SPECIFIED		eng	Jackie Huang	2013/11/08			ecn no	-	rel level	Released			
See Notes			chr	-	-			product family	PwrBlade					
surface	linear	0.X ±0.50				title 5ACP+8S VERTICAL PF HEADER www.fci.com	cat. no.	&model_name	Product - Customer Drw	sheet 1 of 4	rev	A		
		0.XX ±0.25												
		0.XXX ±0.10												
	angular	0° ±2°												

Print File - REV C - 2009-08-09

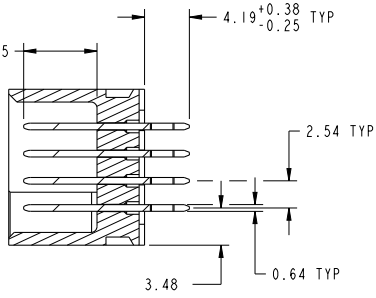


Copyright FCI.

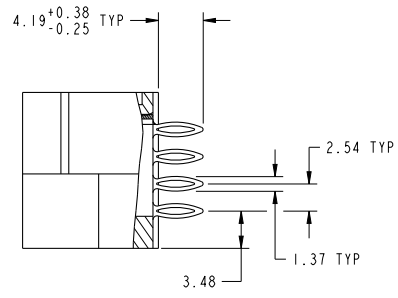
PRODUCT NUMBER

51952-254--  
NOTE 3

DIM "M" ±0.25



SECTION A-A  
SCALE 2:1



SECTION B-B  
SCALE 2:1



Copyright FCI.

dr	Jackie Huang	2013/07/16	projection	MM	size	A4	scale	1:1
eng	Jackie Huang	2013/11/08			ecn no	-		
chr	-	-	product family		PwrBlade	rel level		
appr	Pei-Ming Zheng	2013/11/08				Released		
	title				5ACP+8S	dwg no		51952-254
www.fci.com					VERTICAL PF HEADER			rev
	cat. no.	&model_name	Product - Customer Drw		sheet 2 of 4			A

Print File - REV C - 2009-08-09

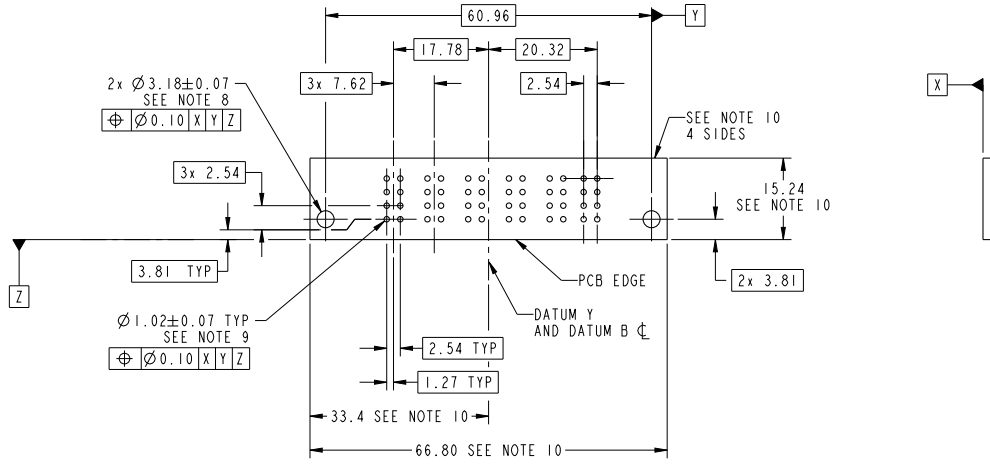
PDS: Rev :A

STATUS:Released

Printed: Nov 08, 2013

PRODUCT NUMBER

51952-254--  
NOTE 3



RECOMMENDED PCB LAYOUT

dr	Jackie Huang	2013/07/16	projection	MM	size	A4	scale	1:1
eng	Jackie Huang	2013/11/08			ecn no	-	rel level	
chr	-	-			product family	PwrBlade	Released	
appr	Pei-Ming Zheng	2013/11/08				part no	5ACP+8S	rev
						dwg no	51952-254	A
www.fci.com			cat. no.	&model_name	Product - Customer Drw		sheet 3 of 4	

Print File - REV C - 2009-08-09

PDS: Rev :A

STATUS:Released

Printed: Nov 08, 2013

PRODUCT NUMBER  
51952-254...  
NOTE 3

NOTES:

1. DIMENSIONS AND TOLERANCES ARE IN ACCORDANCE WITH ASME Y14.5M, 1994 UNLESS OTHERWISE SPECIFIED.

CONNECTOR NOTES:

2. HOUSING MATERIAL: UL 94 V-0 GLASS FILLED HIGH-TEMP THERMOPLASTIC  
POWER CONTACT MATERIAL: COPPER ALLOY  
SIGNAL PIN MATERIAL: COPPER ALLOY

3. SEE ITEM 3 & 4 IN PRINT 10064183 FOR PLATING SPEC OF 51952-254 AND 51952-254LF RESPECTIVELY.

4. MANUFACTURER'S NAME, DATE CODE AND OPTIONAL P/N TO APPEAR ON THIS SURFACE, THE MARK CAN BE OMITTED IF THERE IS NOT ENOUGH SPACE ON THIS SURFACE.

5. PRODUCT SPECIFICATION GS-12-149.  
APPLICATION SPECIFICATION BUS-20-067.

6. PACKAGED IN TRAYS.

PCB NOTES:

7. ALL HOLE DIAMETERS ARE FINISHED HOLE SIZE.  
8. MOUNTING HOLES, WHERE APPLICABLE, ARE UNPLATED.

9.  $\varnothing 1.151 \pm 0.025$  DRILLED HOLES PLATED WITH 0.008 MIN SnPb OR Sn OVER .001 [0.03] TO 0.08 Cu PLATING TO ACHIEVE  $\varnothing 1.02 \pm 0.07$  HOLE.

10. CONNECTOR KEEP-OUT ZONE.

11. FOR PRESS FIT APPLICATION USE FCI CAM TOOL 430169-XXX.



Copyright FCI.

dr	Jackie Huang	2013/07/16	projection		MM	size	A4	scale	1:1
eng	Jackie Huang	2013/11/08				ecn no	-		
chr	-	-	product family		PwrBlade	rel level		Released	
appr	Pei-Ming Zheng	2013/11/08			title	5ACP+8S		dwg no	51952-254
www.fci.com		cat. no.		&model_name		Product - Customer Drw		sheet 4 of 4	
								rev	
								A	