

Excellent Integrated System Limited

Stocking Distributor

Click to view price, real time Inventory, Delivery & Lifecycle Information:

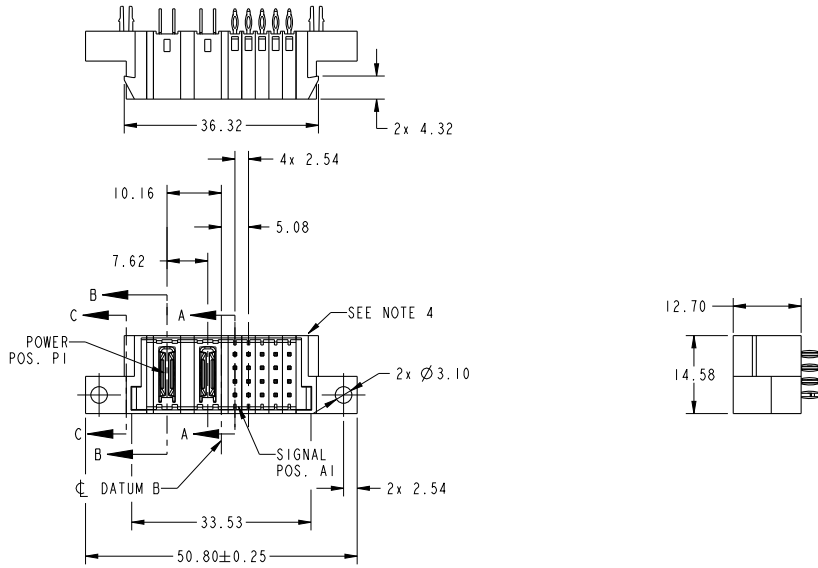
[FCI](#)

[51952-257LF](#)

For any questions, you can email us directly:

sales@integrated-circuit.com

PRODUCT NO.	ROWS	POWER			SIGNAL					
		E1	P1	P2	1	2	3	4	5	E2
51952-257-- NOTE ③	D C B A		PC	PC	G	G	G	G	G	G



CODE	DIM "M" MATING LENGTH	CONTACT TYPE
PC	[N/A]	POWER
G	[6.86]	SIGNAL
HA	[N/A]	HOLD-DOWN

spec ref	See Notes	dr	Luo Weller	2013/08/12	projection	MM	size	A4	scale	1:1	
tolerance std	TOLERANCES UNLESS OTHERWISE SPECIFIED	eng	Luo Weller	2013/11/26	product family	PwrBlade	ecr no	-	rel level	Released	
See Notes		chr	-	-			cat. no.	&model_name	Product - Customer Drw	sheet 1 of 4	
surface	linear	0.X	±0.50		2ACP+20S		www.fci.com	cat. no.	&model_name	Product - Customer Drw	
		0.XX	±0.25		VERTICAL PRESS-FIT HEADER						rev
		0.XXX	±0.10								
	angular	0°	±2°			www.fci.com	cat. no.	&model_name	Product - Customer Drw	sheet 1 of 4	

Print File - REV C - 2009-08-09

1

2

3

PDS: Rev :A

STATUS:Released

Printed: Nov 26, 2013



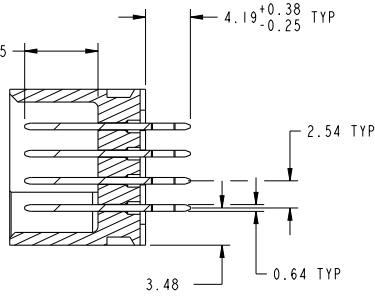
Copyright FCI.

D

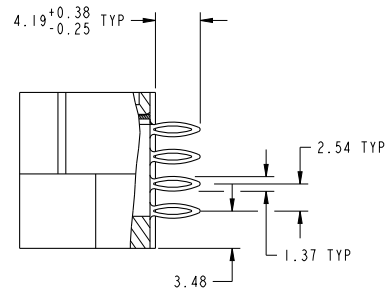
PRODUCT NUMBER

51952-257--
NOTE 3

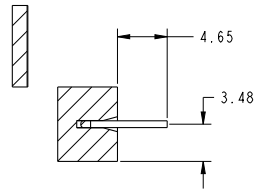
DIM "M" ±0.25



SECTION A-A
SCALE 2:1



SECTION B-B
SCALE 2:1



SECTION C-C
SCALE 2:1

dr	Luo Weller	2013/08/12	projection	MM	size	A4	scale	1:1			
eng	Luo Weller	2013/11/26			ecn no	-	rel level				
chr	-	-			product family	PwrBlade	Released				
appr	Pei-Ming Zheng	2013/11/26				title	2ACP+20S	dwg no	51952-257	rev	A
www.fci.com			cat. no.			&model_name			Product - Customer Drw	sheet 2 of 4	

Print File - REV C - 2009-06-09

PDS: Rev :A

STATUS:Released

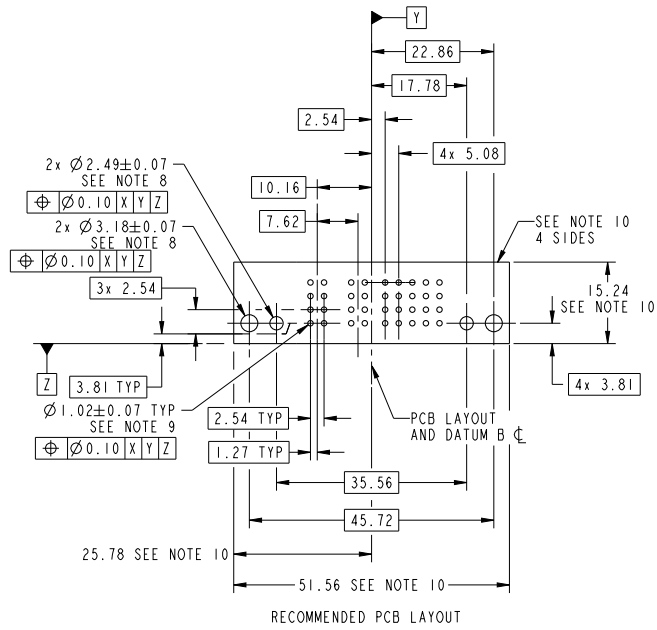
Printed: Nov 26, 2013



Copyright FCI.

PRODUCT NUMBER

51952-257__
NOTE 3



dr	Luo Weller	2013/08/12	projection	MM	size	A4	scale	1:1
eng	Luo Weller	2013/11/26			ecn no	-	rel level	
chr	-	-			product family	PwrBlade	Released	
appr	Pei-Ming Zheng	2013/11/26				part no	2ACP+20S	rev
www.fci.com			VERTICAL PRESS-FIT HEADER cat. no. &model_name			dwg no	51952-257	A
Product - Customer Drw					sheet 3 of 4			

Print File - REV C - 2009-06-09

PDS: Rev :A

STATUS:Released

Printed: Nov 26, 2013

PRODUCT NUMBER	
51952-257.. NOTE 3	
NOTES:	
1. DIMENSIONS AND TOLERANCES ARE IN ACCORDANCE WITH ASME Y14.5M, 1994 UNLESS OTHERWISE SPECIFIED.	
CONNECTOR NOTES:	
② HOUSING MATERIAL: UL 94 V-0 GLASS FILLED HIGH-TEMP THERMOPLASTIC POWER CONTACT MATERIAL: COPPER ALLOY SIGNAL PIN MATERIAL: COPPER ALLOY	
3. SEE ITEM 3 & 4 IN PRINT 10064183 FOR PLATING SPEC OF 51952-257 AND 51952-257LF RESPECTIVELY.	
④ MANUFACTURER'S NAME, DATE CODE AND OPTIONAL P/N TO APPEAR ON THIS SURFACE. THE MARK CAN BE OMITTED IF THERE IS NOT ENOUGH SPACE ON THIS SURFACE.	
5. PRODUCT SPECIFICATION GS-12-149. APPLICATION SPECIFICATION BUS-20-067.	
6. PACKAGED IN TRAYS.	
PCB NOTES:	
7. ALL HOLE DIAMETERS ARE FINISHED HOLE SIZE.	
8. MOUNTING HOLES, WHERE APPLICABLE, ARE UNPLATED.	
⑨ $\varnothing 1.151 \pm 0.025$ DRILLED HOLES PLATED WITH 0.008 MIN SnPb OR Sn OVER .001 [0.03] TO 0.08 Cu PLATING TO ACHIEVE $\varnothing 1.02 \pm 0.07$ HOLE.	
⑩ CONNECTOR KEEP-OUT ZONE.	
11. FOR PRESS FIT APPLICATION USE FCI CAM TOOL 430169-XXX.	

dr	Luo Weller	2013/08/12	projection		MM	size	A4	scale	1:1
eng	Luo Weller	2013/11/26				ecn no	-		
chr	-	-				rel level	Released		
appr	Pei-Ming Zheng	2013/11/26	product family	PwrBlade					
		title	2ACP+20S		dwg no	51952-257		rev	A
www.fci.com		cat. no.	&model_name	Product - Customer Drw		sheet 4 of 4			



Copyright FCI.