

Excellent Integrated System Limited

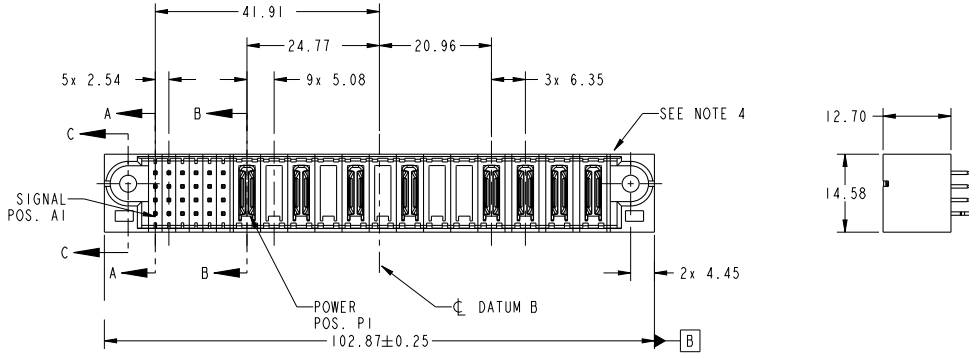
Stocking Distributor

Click to view price, real time Inventory, Delivery & Lifecycle Information:

[FCI](#)
[51952-272LF](#)

For any questions, you can email us directly:
sales@integrated-circuit.com

PRODUCT NO.	ROWS	SIGNAL					POWER								E2								
		E1	1	2	3	4	5	6	P1	P2	P3	P4	P5	P6		P7	P8	P9	P10	P11	P12	P13	
51952-272-- NOTE ③	D C B A								PA	X	PA	X	PA	X	PA	X	PA	X	PA	PA	PA	PA	



CODE	DIM "M" MATING LENGTH	CONTACT TYPE
PA	[N/A]	POWER
E	[6.86]	SIGNAL
H	[5.59]	SIGNAL
HA	[N/A]	HOLD-DOWN
X	[N/A]	OMITTED

spec ref	See Notes		dr	Luo Weller	2014/01/10	projection		size	A4	scale	1:1
tolerance std	TOLERANCES UNLESS OTHERWISE SPECIFIED		eng	Luo Weller	2014/02/16		product family	ecn no	-	rel level	Released
See Notes			chr	-	-						
surface	linear	0.X	±0.50		24S + 9DCP + 4P	VERTICAL SOLDER HEADER	dwg no	51952-272	rev	A	
		0.XX	±0.25								
		0.XXX	±0.10								
	angular	0°	±2°	www.fci.com	cat. no.	&model_name	Product - Customer Drw	sheet 1 of 4			

Print File - REV C - 2009-08-09

1

2

3

PDS: Rev :A

STATUS:Released

Printed: Feb 17, 2014

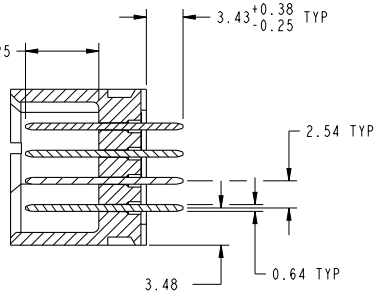


Copyright FCI.

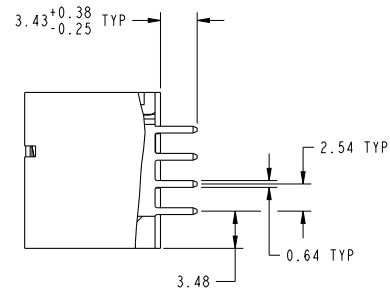
PRODUCT NUMBER

51952-272--
NOTE 3

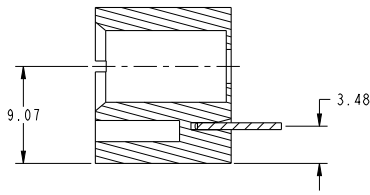
DIM "M" ±0.25



SECTION A-A
SCALE 2:1



SECTION B-B
SCALE 2:1



SECTION C-C
SCALE 2:1

dr	Luo Weller	2014/01/10	projection	MM	size	A4	scale	1:1
eng	Luo Weller	2014/02/16			ecn no	-	rel level	
chr	-	-			product family	PwrBlade	Released	
appr	Pei-Ming Zheng	2014/02/16				part no	24S + 9DCP + 4P	rev
www.fci.com						cat. no.	VERTICAL SOLDER HEADER	51952-272
						&model_name	Product - Customer Drw	sheet 2 of 4

Print File : REV C - 2009-08-09

PDS: Rev :A

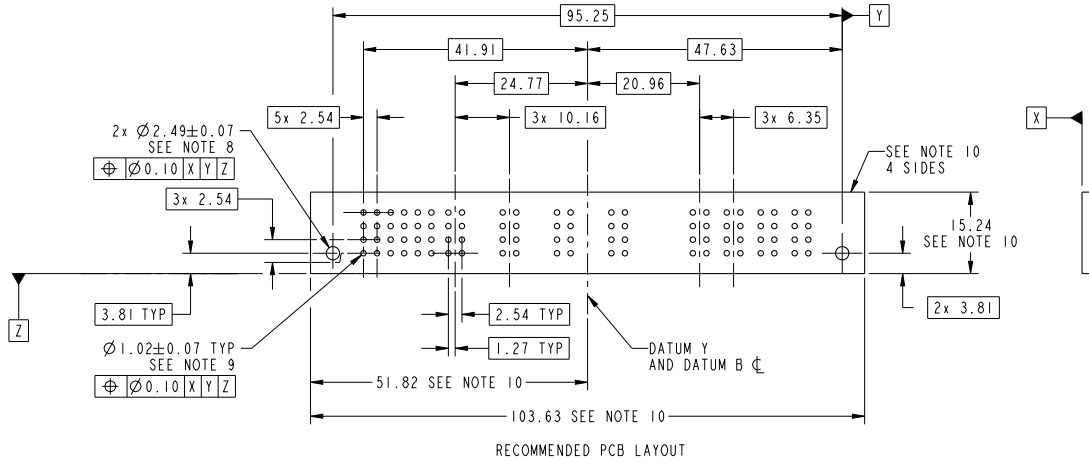
STATUS:Released

Printed: Feb 17, 2014



Copyright FCI.

PRODUCT NUMBER
51952-272--
NOTE 3



dr	Luo Weller	2014/01/10	projection	MM	size	A4	scale	1:1
eng	Luo Weller	2014/02/16			ecn no	-	rel level	Released
chr	-	-			product family	PwrBlade	rev	A
appr	Pei-Ming Zheng	2014/02/16			24S + 9DCP + 4P VERTICAL SOLDER HEADER		www.fci.com	cat. no. &model_name Product - Customer Drw sheet 3 of 4

Print File - REV C - 2009-06-09

PDS: Rev :A

STATUS:Released

Printed: Feb 17, 2014

PRODUCT NUMBER
51952-272..
NOTE 3

NOTES:

1. DIMENSIONS AND TOLERANCES ARE IN ACCORDANCE WITH ASME Y14.5M, 1994 UNLESS OTHERWISE SPECIFIED.

CONNECTOR NOTES:

- ② HOUSING MATERIAL: UL 94 V-0 GLASS FILLED HIGH-TEMP THERMOPLASTIC
POWER CONTACT MATERIAL: COPPER ALLOY
SIGNAL PIN MATERIAL: COPPER ALLOY
 - 3. SEE ITEM 1 & 2 IN PRINT 10064183 FOR PLATING SPEC OF 51952-272 AND 51952-272LF RESPECTIVELY.
 - ④ MANUFACTURER'S NAME, DATE CODE AND OPTIONAL P/N TO APPEAR ON THIS SURFACE. THE MARK CAN BE OMITTED IF THERE IS NOT ENOUGH SPACE ON THIS SURFACE.
 - 5. PRODUCT SPECIFICATION GS-12-149.
APPLICATION SPECIFICATION BUS-20-067.
 - 6. PACKAGED IN TRAYS.
- PCB NOTES:
- 7. ALL HOLE DIAMETERS ARE FINISHED HOLE SIZE.
 - 8. MOUNTING HOLES, WHERE APPLICABLE, ARE UNPLATED.
 - ⑨ $\varnothing 1.151 \pm 0.025$ DRILLED HOLES PLATED WITH
0.008 MIN SnPb OR Sn OVER .001 [0.03]
TO 0.08 Cu PLATING TO ACHIEVE
 $\varnothing 1.02 \pm 0.07$ HOLE.
 - ⑩ CONNECTOR KEEP-OUT ZONE.



Copyright FCI.

dr	Luo Weller	2014/01/10	projection		MM	size	A4	scale	1:1
eng	Luo Weller	2014/02/16	chr			-	ecn no	-	
appr	Pei-Ming Zheng	2014/02/16	product family		PwrBlade	rel level		Released	
			title 24S + 9DCP + 4P VERTICAL SOLDER HEADER			dwg no 51952-272		rev A	
www.fci.com			cat. no.	&model_name	Product - Customer Drw			sheet 4 of 4	

Print File - REV C - 2009-06-09