

## **Excellent Integrated System Limited**

Stocking Distributor

Click to view price, real time Inventory, Delivery & Lifecycle Information:

[FCI](#)

[51963-046LF](#)

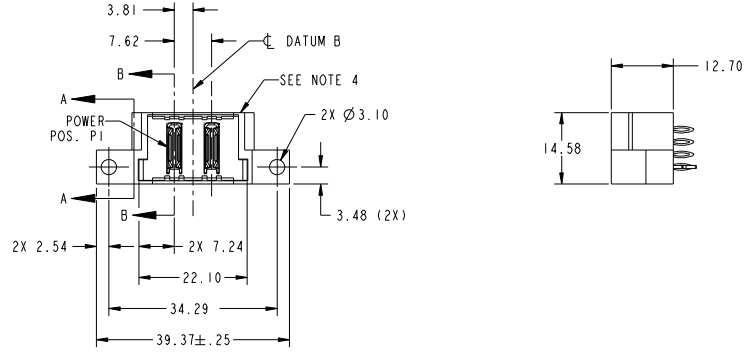
For any questions, you can email us directly:

[sales@integrated-circuit.com](mailto:sales@integrated-circuit.com)

Tous droits strictement réservés. Reproduction ou communication à des tiers interdite sous quelque forme que ce soit sans autorisation écrite du propriétaire. Propriété de E.FCI. Droits de reproduction FCI.

All rights strictly reserved. Reproduction or issue to third parties in any form whatever is not permitted without written authority from the proprietor. Property of FCI. Copyright FCI.

PRODUCT NO.	POWER			
	E1	P1	P2	E2
51963-046-... NOTE: 3	HA	PC	PC	



CODE	DIM "M" MATING LENGTH	CONTACT TYPE
PC	[N/A]	POWER
HA	[N/A]	HOLD-DOWN

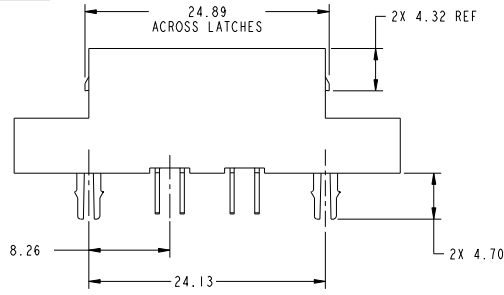
mat'l code		SEE NOTES		tolerances unless otherwise specified		CUSTOMER	
ltr	ecm no.	dr	date	linear	0.X ±0.5	COPY	www.fciconnect.com
A	DG09-0386	WD	12/13/09		0.XX ±0.25	projection	title
				angles	0.XXX ±0.10	MM	2ACP
				dr	0° ±2°	scale	VERTICAL PRESS FIT HEADER
				enr	WARREN DU 11/28/09	size	product family
				chr	WARREN DU 11/28/09	A	PwrBlade
				oppd	PM ZHENG 11/28/09	1:1	code
					JOSEPH HSTA 11/28/09		51963-046
sheet index	revision sheet	A	A	A	A		213 sheet
1	2	3	4				1 of 4

cage code 22526

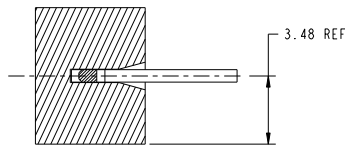
Tous droits strictement réservés. Reproduction ou communication à des tiers interdite sous quelque forme que ce soit sans autorisation écrite du propriétaire. Propriété de FCI. Droits de reproduction FCI.

All rights strictly reserved. Reproduction or issue to third parties in any form whatever is not permitted without written authority from the proprietor. Property of FCI. Copyright FCI.

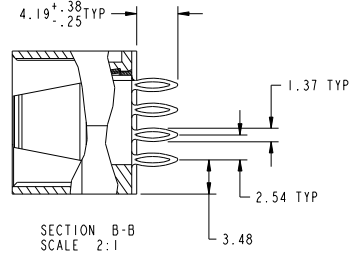
PRODUCT NUMBER  
51963-046...  
NOTE: 3



SCALE 2:1



SECTION A-A  
SCALE 4:1



SECTION B-B  
SCALE 2:1

mat'l code				SEE NOTES		tolerances unless otherwise specified		CUSTOMER	
ltr	ecm no.	dr	date	linear	0.X ±0.5	projection	www.fciconnect.com		
A					0.XX ±0.25	MM	2ACP		
				angles	0° ±2°	scale	VERTICAL PRESS FIT HEADER		
				dr	WARREN DU 11/28/09	1:1	product family	PwrBlade	code
				enr	WARREN DU 11/28/09		size	A	213
				chr	PW ZHENG 11/28/09		dwg no	51963-046	sheet
				oppd	JOSEPH HSIA 11/28/09		code		2
sheet index	revision sheet								

Pro/E

cage code 22526



Tous droits strictement réservés. Reproduction ou communication à des tiers interdite sous quelque forme que ce soit sans autorisation écrite du propriétaire. Propriété de FCI. Droits de reproduction FCI.

All rights strictly reserved. Reproduction or issue to third parties in any form whatever is not permitted without written authority from the proprietor. Property of FCI. Copyright FCI.

PRODUCT NUMBER  
51963-046-  
NOTE: 3

NOTES:

1. DIMENSIONS AND TOLERANCES ARE IN ACCORDANCE WITH ASME Y14.5M, 1994 UNLESS OTHERWISE SPECIFIED.

CONNECTOR NOTES:

- ② HOUSING MATERIAL: UL 94 V-0 GLASS FILLED HIGH-TEMP THERMOPLASTIC  
POWER CONTACT MATERIAL: COPPER ALLOY  
SIGNAL PIN MATERIAL: COPPER ALLOY
  - 3. PLATING:  
SEE ITEM 3 & 4 IN PRINT 10064183 FOR PLATING SPEC OF 51963-046; 51963-046LF RESPECTIVELY
  - ④ MANUFACTURER'S NAME, P/N, AND DATE CODE TO APPEAR ON THIS SURFACE.
  - 5. PRODUCT SPECIFICATION GS-12-149.  
APPLICATION SPECIFICATION BUS-20-067.
  - 6. PACKAGED IN TRAYS.
- PCB NOTES:
- 7. ALL HOLE DIAMETERS ARE FINISHED HOLE SIZE.
  - 8. MOUNTING HOLES, WHERE APPLICABLE, ARE UNPLATED.
  - ⑨  $\varnothing 1.151 \pm 0.025$  DRILLED HOLES PLATED WITH:  
0.008 MIN SnPb OR Sn OVER 0.03  
TO 0.08 Cu PLATING TO ACHIEVE  
 $\varnothing 1.02 \pm .07$  HOLE.
  - ⑩ "DIM XXX" TO BE DETERMINED BY THE CUSTOMER.
  - ⑪ CONNECTOR KEEP-OUT ZONE.
  - 12. FOR PRESS FIT APPLICATION USE FCI CAM TOOL 430169-018.1
  - 13. CUSTOMER SUPPLIES (2) #4-40 UNC SCREWS, HARDWARE TO MOUNT HEADER TO PC BOARD.

mat'l code		SEE NOTES		tolerances unless otherwise specified		CUSTOMER	
ltr	ecm no.	dr	date	linear	0.X ± 0.5	COPY	www.fciconnect.com
A					0.XX ± 0.25	projection	
				angles	0° ± 2°		title
		dr	WARREN DU	engr	WARREN DU	MM	2ACP
		chr	PW ZHENG	appr	JOSEPH HSIA	scale	VERTICAL PRESS FIT HEADER
		sheet index				1:1	product family
		revision sheet					PwrBlade
							size
							dwg no
							51963-046
							code
							213
							sheet
							4
							sheet
							4
							code
							22526