

Excellent Integrated System Limited

Stocking Distributor

Click to view price, real time Inventory, Delivery & Lifecycle Information:

[FCI](#)

[51963-056LF](#)

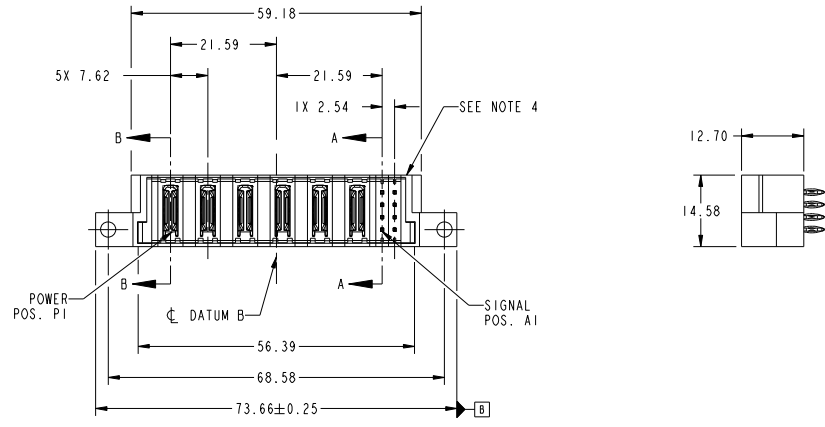
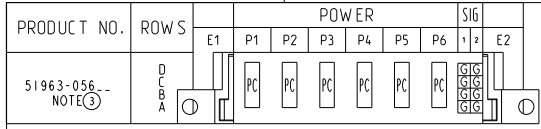
For any questions, you can email us directly:

sales@integrated-circuit.com

Tous droits strictement réservés. Reproduction ou communication à des tiers interdite sous quelque forme que ce soit sans autorisation écrite du propriétaire. Propriété de FCI. Droits de reproduction FCI.



All rights strictly reserved. Reproduction or issue to third parties in any form whatever is not permitted without written authority from the proprietor. Property of FCI. Copyright FCI.



CODE	DIM "M" MATING LENGTH	CONTACT TYPE
PC	[N/A]	POWER
G	[6.86]	SIGNAL

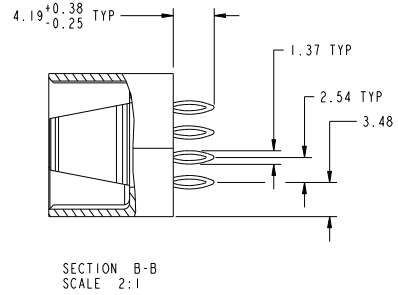
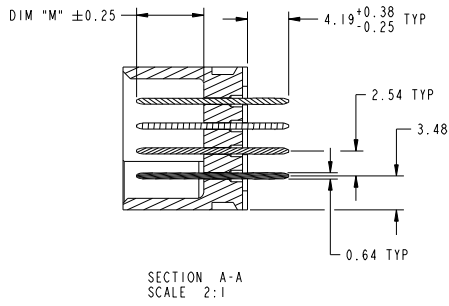
mat'l code				tolerances unless otherwise specified		CUSTOMER	
ltr	ecm no.	dr	date	linear	0.X ± 0.5	COPY	www.fciconnect.com
A	DG10-0158	HW	4/29/10	linear	0.XX ± 0.25	projection	6P + 8S
				angles	0.XXX ± 0.1	MM	VERTICAL PRESS FIT HEADER
				dr	0° ± 2°	scale	product family PwrBlade code 213
				enr	HENRY WANG 4/07/10	1:1	size A
				chr	PM ZHENG 4/07/10		dwg no 51963-056
				oppd	JOSEPH HSIA 4/07/10		sheet 1 of 4
sheet index	revision sheet	A 1	A 2	A 3	A 4		cage code 22526

Tous droits strictement réservés. Reproduction ou communication à des tiers interdite sous quelque forme que ce soit sans autorisation écrite du propriétaire. Propriété de FCI. Droits de reproduction FCI.

All rights strictly reserved. Reproduction or issue to third parties in any form whatever is not permitted without written authority from the proprietor. Property of FCI. Copyright FCI.



PRODUCT NUMBER
51963-056 _ _
NOTE 3



mat'l code				tolerances unless otherwise specified				CUSTOMER		FCI		www.fciconnect.com	
ltr	ecm no.	dr	date	linear	0.X ±0.5	projection	COPY		title				
A					0.XX ±0.25				6P + 8S				
				angles	0.XXX ±0.1				VERTICAL PRESS FIT HEADER				
					0° ±2°				product family PwrBlade code				
				dr	HENRY WANG 4/07/10	MM			size				
				enr	HENRY WANG 4/07/10				dwg no				
				chr	PM ZHENG 4/07/10	scale	1:1		51963-056				
				oppd	JOSEPH HSIA 4/07/10				213 sheet				
sheet index	revision sheet								2 of 4				

Pro/E

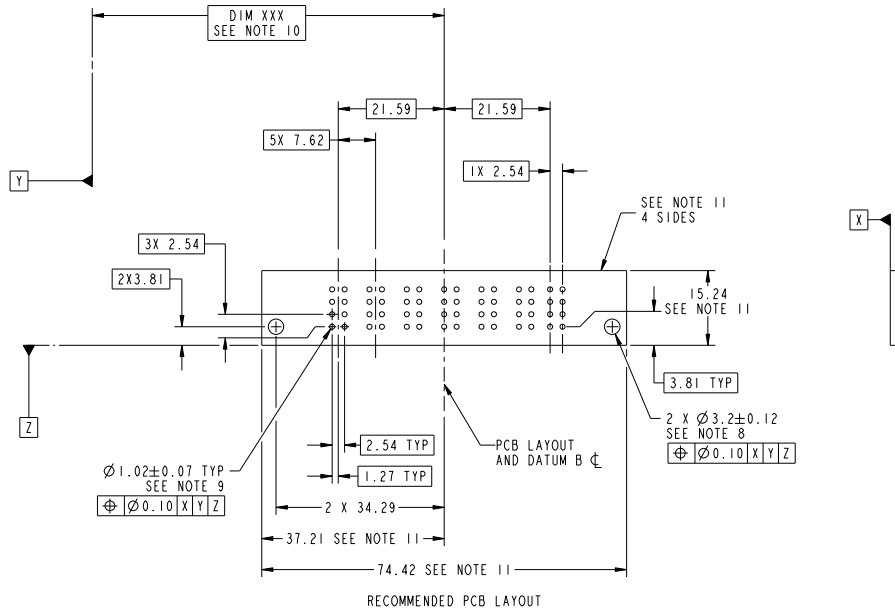
cage code 22526

Tous droits strictement réservés. Reproduction ou communication à des tiers interdite sous quelque forme que ce soit sans autorisation écrite du propriétaire. Propriété de FCI. Droits de reproduction FCI.



All rights strictly reserved. Reproduction or issue to third parties in any form whatever is not permitted without written authority from the proprietor. Property of FCI. Copyright FCI.

PRODUCT NUMBER
51963-056...
NOTE 3



mat'l code				tolerances unless otherwise specified		CUSTOMER	
lfr	ecm no.	dr	date	0.X ± 0.5	COPY	www.fciconnect.com	
A				0.XX ± 0.25	projection	6P + 8S	
				0.XXX ± 0.1		VERTICAL PRESS FIT HEADER	
				angles 0° ± 2°	MM	product family	PwrBlade
		dr	HENRY WANG	4/07/10	scale	size	213
		enr	HENRY WANG	4/07/10	1:1	dwg no	sheet
		chr	PM ZHENG	4/07/10		51963-056	3 of 4
		oppd	JOSEPH HSIA	4/07/10			
sheet index	revision sheet					cage code	22526

Tous droits strictement réservés. Reproduction ou communication à des tiers interdite sous quelque forme que ce soit sans autorisation écrite du propriétaire. Propriété de FCI. Droits de reproduction FCI.

All rights strictly reserved. Reproduction or issue to third parties in any form whatever is not permitted without written authority from the proprietor. Property of FCI. Copyright FCI.

PRODUCT NUMBER
51963-056_
NOTE 3

NOTES:

1. DIMENSIONS AND TOLERANCES ARE IN ACCORDANCE WITH ASME Y14.5M, 1994 UNLESS OTHERWISE SPECIFIED.

CONNECTOR NOTES:

- ② HOUSING MATERIAL: UL 94 V-0 GLASS FILLED HIGH-TEMP THERMOPLASTIC
POWER CONTACT MATERIAL: COPPER ALLOY
SIGNAL PIN MATERIAL: COPPER ALLOY
 - 3. PLATING:
SEE ITEM 3 & 4 IN PRINT 10064183 FOR PLATING SPEC OF 51963-056; 51963-056LF PRESPECTIVELY
 - ④ MANUFACTURER'S NAME, DATE CODE AND OPTIONAL P/N TO APPEAR ON THIS SURFACE. THE P/N CAN BE OMITTED IF THERE IS NOT ENOUGH SPACE ON THIS SURFACE.
 - 5. PRODUCT SPECIFICATION GS-12-149.
APPLICATION SPECIFICATION BUS-20-067.
 - 6. PACKAGED IN TRAYS.
- PCB NOTES:**
- 7. ALL HOLE DIAMETERS ARE FINISHED HOLE SIZE.
 - 8. MOUNTING HOLES, WHERE APPLICABLE, ARE UNPLATED.
 - ⑨ $\varnothing 1.151 \pm 0.025$ DRILLED HOLES PLATED WITH
0.008 MIN SnPb OR Sn OVER .001 [0.03]
TO 0.08 Cu PLATING TO ACHIEVE
 $\varnothing 1.02 \pm 0.07$ HOLE.
 - ⑩ "DIM XXX" TO BE DETERMINED BY THE CUSTOMER.
 - ⑪ CONNECTOR KEEP-OUT ZONE.
 - 12. FOR PRESS FIT APPLICATION USE FCI CAM TOOL 430169-XXX.

mat'l code				tolerances unless otherwise specified		CUSTOMER		FCI	
ltr	ecm no.	dr	date	linear	0.X ± 0.5	COPY		www.fciconnect.com	
A					0.XX ± 0.25	projection	title		
				angles	0.XXX ± 0.1		6P + 8S		
					0° ± 2°	MM	VERTICAL PRESS FIT HEADER		
				dr	HENRY WANG 4/07/10	product family	PwrBlade	code	
				engr	HENRY WANG 4/07/10	size	dwg no	213	
				chr	PM ZHENG 4/07/10	scale	51963-056	sheet	4 of 4
				oppd	JOSEPH HSIA 4/07/10	1:1			
sheet index	revision sheet								

Pro/E

cage code 22526