

Excellent Integrated System Limited

Stocking Distributor

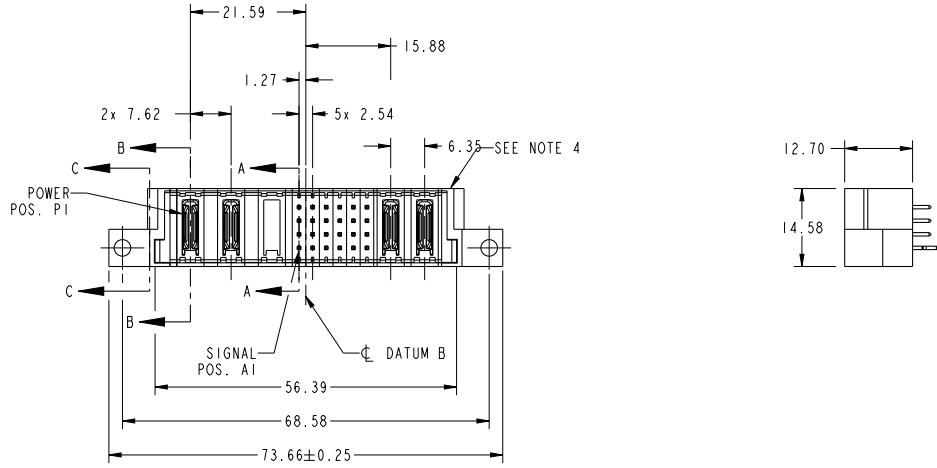
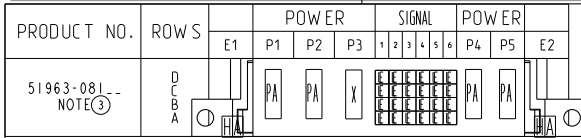
Click to view price, real time Inventory, Delivery & Lifecycle Information:

[FCI](#)

[51963-081LF](#)

For any questions, you can email us directly:

sales@integrated-circuit.com



CODE	DIM "M" MATING LENGTH	CONTACT TYPE
PA	[N/A]	POWER
E	[6.86]	SIGNAL
HA	[N/A]	HOLD-DOWN
X		OMITTED

spec ref	See Notes		dr	Jackie Huang	2013/09/19	projection	MM	size	A4	scale	1:1
tolerance std	TOLERANCES UNLESS OTHERWISE SPECIFIED		eng	Jackie Huang	2013/11/08			ecn no	-	rel level	Released
See Notes			chr	-	appr			Pei-Ming Zheng	2013/11/08		product family
surface	linear	0.X ±0.50					title 3ACP+24S+2P VERTICAL STB HEADER	dwg no 51963-081	rev A		
		0.XX ±0.25									
		0.XXX ±0.10									
	angular	0° ±2°	www.fci.com	cat. no.	&model_name	Product - Customer Drw	sheet 1 of 4				

Prod File - REV C - 2009-08-09

1

2

3

PDS: Rev :A

STATUS:Released

Printed: Nov 08, 2013

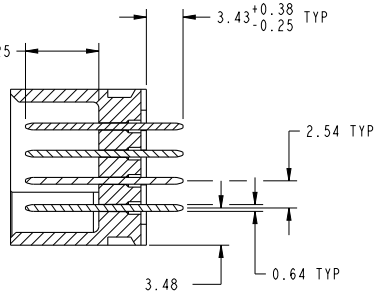


Copyright FCI.

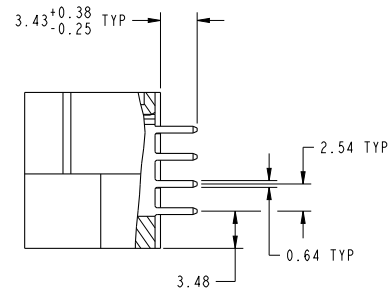
PRODUCT NUMBER

51963-081--
NOTE 3

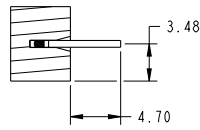
DIM "M" ±0.25



SECTION A-A
SCALE 2:1



SECTION B-B
SCALE 2:1



dr	Jackie Huang	2013/09/19	projection	MM	size	A4	scale	1:1	
eng	Jackie Huang	2013/11/08			ecn no	-	rel level		
chr	-	-			product family	PwrBlade	Released		
appr	Pei-Ming Zheng	2013/11/08				title	3ACP+24S+2P	dwg no	51963-081
www.fci.com			cat. no.			&model_name			Product - Customer Drw
									sheet 2 of 4

Print File - REV C - 2009-08-09

PDS: Rev :A

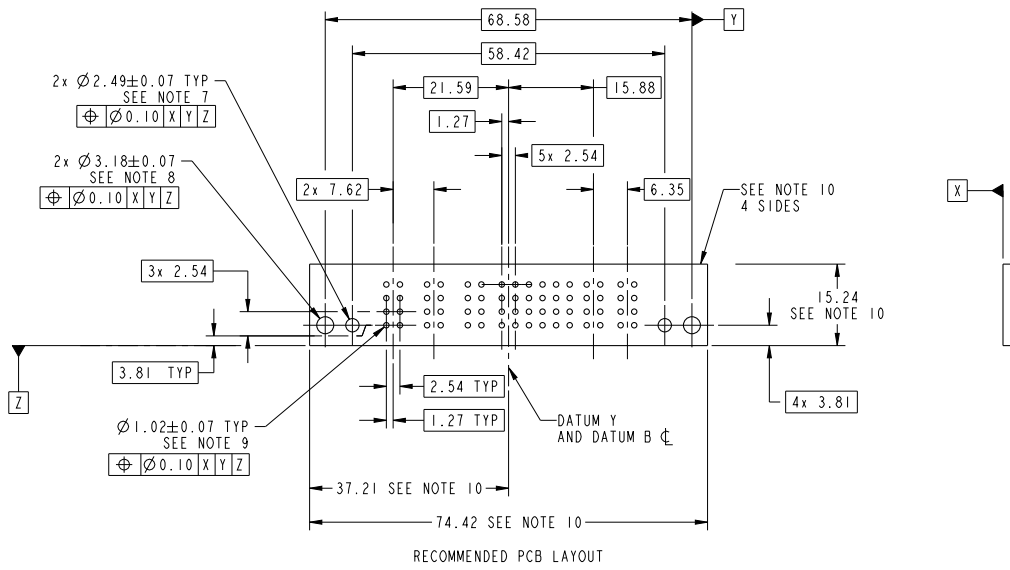
STATUS:Released

Printed: Nov 08, 2013



Copyright FCI.

PRODUCT NUMBER
51963-081...
NOTE 3



RECOMMENDED PCB LAYOUT

dr	Jackie Huang	2013/09/19	projection	MM	size	A4	scale	1:1
eng	Jackie Huang	2013/11/08			ecn no	-	rel level	
chr	-	-			product family	PwrBlade	Released	
appr	Pei-Ming Zheng	2013/11/08				part no	3ACP+24S+2P	rev
www.fci.com						cat. no.	51963-081	A
			model name			Product - Customer Drw		sheet 3 of 4

Print File - REV C - 2009-08-09

PDS: Rev :A

STATUS:Released

Printed: Nov 08, 2013



Copyright FCI.

PRODUCT NUMBER
51963-081...
NOTE 3

NOTES:

1. DIMENSIONS AND TOLERANCES ARE IN ACCORDANCE WITH ASME Y14.5M, 1994 UNLESS OTHERWISE SPECIFIED.

CONNECTOR NOTES:

2 HOUSING MATERIAL: UL 94 V-0 GLASS FILLED HIGH-TEMP THERMOPLASTIC
POWER CONTACT MATERIAL: COPPER ALLOY
SIGNAL PIN MATERIAL: COPPER ALLOY

3. SEE ITEM 1 & 2 IN PRINT 10064183 FOR PLATING SPEC OF 51963-081 AND 51963-081LF RESPECTIVELY.

4 MANUFACTURER'S NAME, DATE CODE AND OPTIONAL P/N TO APPEAR ON THIS SURFACE, THE MARK CAN BE OMITTED IF THERE IS NOT ENOUGH SPACE ON THIS SURFACE.

5. PRODUCT SPECIFICATION GS-12-149.
APPLICATION SPECIFICATION BUS-20-067.

6. PACKAGED IN TRAYS.

PCB NOTES:

7. ALL HOLE DIAMETERS ARE FINISHED HOLE SIZE.

8. MOUNTING HOLES, WHERE APPLICABLE, ARE UNPLATED.

9 $\varnothing 1.151 \pm 0.025$ DRILLED HOLES PLATED WITH 0.008 MIN SnPb OR Sn OVER .001 [0.03] TO 0.08 Cu PLATING TO ACHIEVE $\varnothing 1.02 \pm 0.07$ HOLE.

10 CONNECTOR KEEP-OUT ZONE.



Copyright FCI.

dr	Jackie Huang	2013/09/19	projection		MM	size	A4	scale	1:1		
eng	Jackie Huang	2013/11/08	ecn no			-					
chr	-	-	product family	PwrBlade	rel level	Released					
appr	Pei-Ming Zheng	2013/11/08			title	3ACP+24S+2P		dwg no	51963-081	rev	A
www.fci.com		cat. no.	&model_name	Product - Customer Drw		sheet 4 of 4					