

Excellent Integrated System Limited

Stocking Distributor

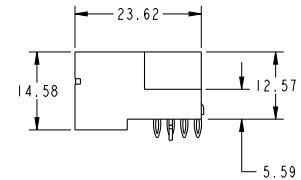
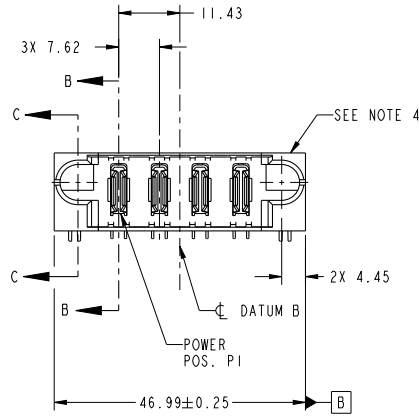
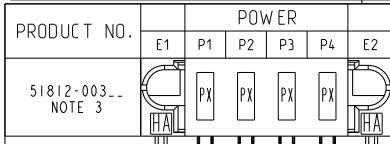
Click to view price, real time Inventory, Delivery & Lifecycle Information:

[FCI](#)

[51812-003LF](#)

For any questions, you can email us directly:

sales@integrated-circuit.com



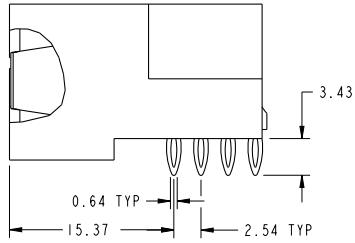
Copyright FCI.

CODE	DIM "M" MATING LENGTH	CONTACT TYPE
PX	[N/A]	POWER
HA	[N/A]	HOLD-DOWN

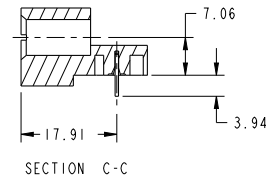
spec ref	See Notes		dr	Hong-Tu, Zhang	2011/08/09	projection	MM	size	A4	scale	1:1
tolerance std	TOLERANCES UNLESS OTHERWISE SPECIFIED		eng	Guang, Shi	2011/09/21			ecn no	-	rel level	Released
See Notes			chr	-	appr			Pei-Ming Zheng	2011/09/21	product family	PwrBlade
surface	linear	0.X ±0.50					title	4ACP		dwg no	51812-003
		0.XX ±0.25					RIGHT ANGLE PF HEADER				
		0.XXX ±0.10					cat. no.		-	Product - Customer Drw	sheet 1 of 4
	angular	0° ±2°	www.fci.com								

Prod File - REV C - 2009-08-09

PRODUCT NUMBER
51812-003:...



BROKEN-OUT SECTION B-B
SCALE 2:1



SECTION C-C

dr	Hong-Tu, Zhang	2011/08/09	projection	MM	size	A4	scale	1:1			
eng	Guang, Shi	2011/09/21			ecn no	-					
chr	-	-			product family	PwrBlade	rel level	Released			
appr	Pei-Ming Zheng	2011/09/21				title	4ACP RIGHT ANGLE PF HEADER	dwg no	51812-003	rev	A
www.fci.com			cat. no.	-	Product - Customer Drw	sheet 2 of 4					

Prod File - REV C - 2009-06-09

PDS: Rev :A

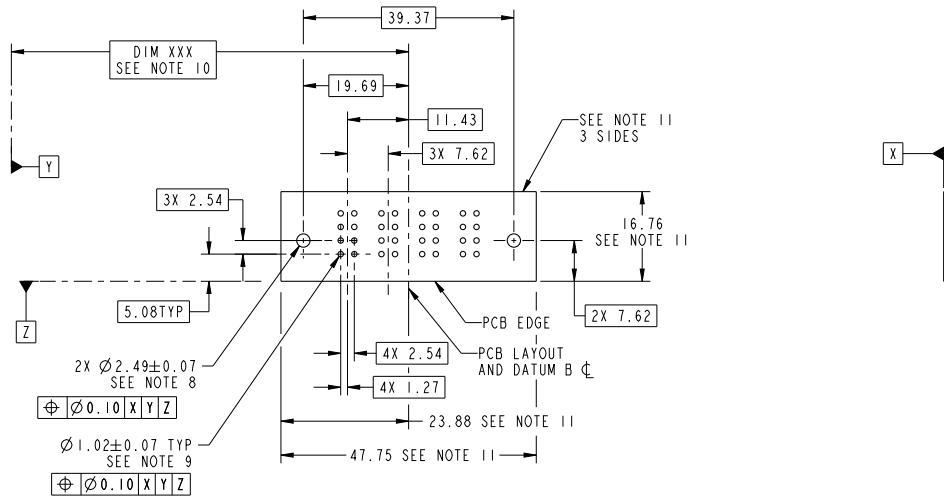
STATUS:Released

Printed: Sep 21, 2011



Copyright FCI.

PRODUCT NUMBER
51812-003:...



RECOMMENDED PCB LAYOUT

dr	Hong-Tu, Zhang	2011/08/09	projection	MM	size	A4	scale	1:1		
eng	Guang, Shi	2011/09/21			ecn no	-	rel level	Released		
chr	-	-			product family	PwrBlade				
appr	Pei-Ming Zheng	2011/09/21				4ACP	dwg no	51812-003	rev	A
www.fci.com		cat. no.	-			Product - Customer Drw		sheet 3 of 4		

Print File - REV C - 2009-06-09

PDS: Rev :A

STATUS:Released

Printed: Sep 21, 2011

PRODUCT NUMBER
51812-003:...

NOTES:

1. DIMENSIONS AND TOLERANCES ARE IN ACCORDANCE WITH ASME Y14.5M, 1994 UNLESS OTHERWISE SPECIFIED.

CONNECTOR NOTES:

- 2. HOUSING MATERIAL: UL 94 V-0 GLASS FILLED HIGH-TEMP THERMOPLASTIC
POWER CONTACT MATERIAL: COPPER ALLOY
SIGNAL PIN MATERIAL: COPPER ALLOY
- 3. SEE ITEM 3 & 4 IN PRINT 10064183 FOR PLATING SPEC OF 51812-003 AND 51812-003LF RESPECTIVELY.
- 4. MANUFACTURER'S NAME, DATE CODE AND OPTIONAL P/N TO APPEAR ON THIS SURFACE. THE P/N CAN BE OMITTED IF THERE IS NOT ENOUGH SPACE ON THIS SURFACE.
- 5. PRODUCT SPECIFICATION GS-12-149.
APPLICATION SPECIFICATION BUS-20-067.
- 6. PACKAGED IN TRAYS.

PCB NOTES:

- 7. ALL HOLE DIAMETERS ARE FINISHED HOLE SIZE.
- 8. MOUNTING HOLES, WHERE APPLICABLE, ARE UNPLATED.
- 9. $\varnothing 1.151 \pm 0.025$ DRILLED HOLES PLATED WITH
0.008 MIN SnPb OR Sn OVER 0.03
TO 0.08 Cu PLATING TO ACHIEVE
 $\varnothing 1.02 \pm 0.07$ HOLE.
- 10. "DIM XXX" TO BE DETERMINED BY THE CUSTOMER.
- 11. CONNECTOR KEEP-OUT ZONE.
- 12. FOR PRESS-FIT CONNECTORS USE FCI CAM TOOL 430140-XXX TO APPLY CONNECTOR TO PCB.

dr	Hong-Tu, Zhang	2011/08/09	projection		size	A4	scale	1:1
eng	Guang, Shi	2011/09/21			ecn no	-		
chr	-	-	product family	PwrBlade	rel level	Released		
appr	Pei-Ming Zheng	2011/09/21			title	4ACP		rev
www.fci.com					cat. no.	-	Product - Customer Drw	sheet 4 of 4
					dwg no	51812-003		A

Print File - REV C - 2009-08-09



Copyright FCI.