

Excellent Integrated System Limited

Stocking Distributor

Click to view price, real time Inventory, Delivery & Lifecycle Information:

[FCI](#)

[51866-044LF](#)

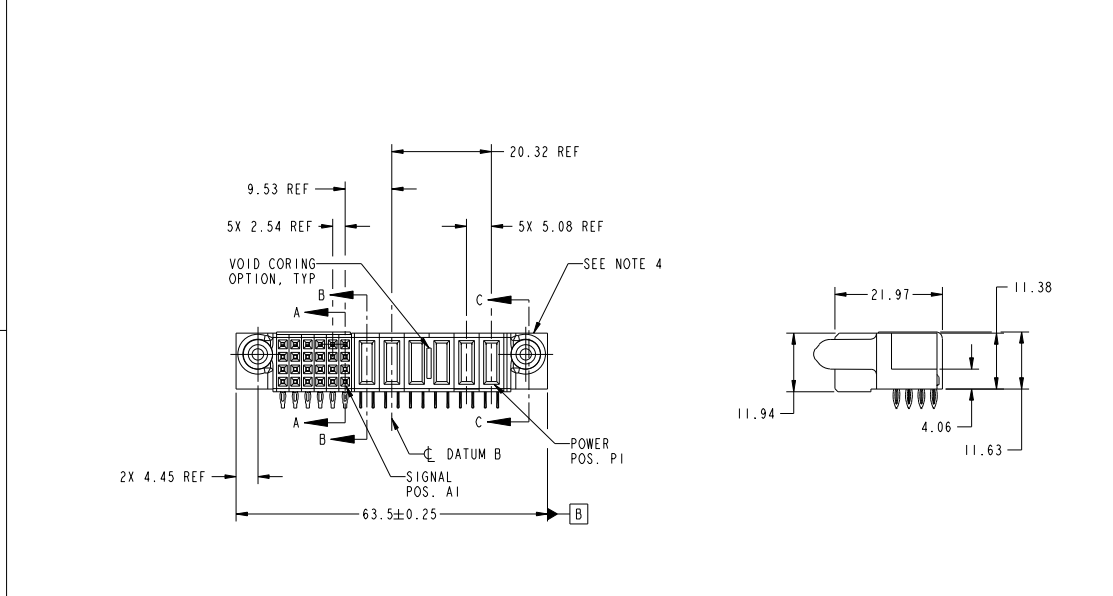
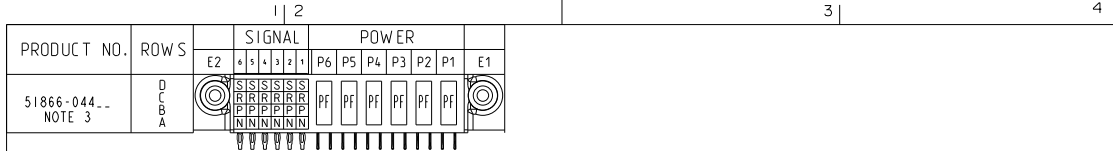
For any questions, you can email us directly:

sales@integrated-circuit.com

Tous droits strictement réservés. Reproduction ou communication à des tiers interdite sous quelque forme que ce soit sans autorisation écrite du propriétaire. Propriété de C.FCI. Droits de reproduction FCI.



All rights strictly reserved. Reproduction or issue to third parties in any form whatever is not permitted without written authority from the proprietor. Property of FCI. Copyright FCI.



| CODE | DIM "M" MATING LENGTH | CONTACT TYPE |
|------|-----------------------|--------------|
| PF | [2.34] | POWER |
| S | [N/A] | SIGNAL |
| R | [N/A] | SIGNAL |
| P | [N/A] | SIGNAL |
| N | [N/A] | SIGNAL |

| mat'l code | | | | SEE NOTE 2 | | tolerances unless otherwise specified | |
|-------------|----------------|-----|----------|------------|---------------|---------------------------------------|-------------------------|
| ltr | ecn no. | dr | date | linear | 0.X ± 0.3 | projection | COPY |
| A | DG07-0289 | JC | 07/17/07 | angles | 0.XX ± 0.13 | MM | www.fciconnect.com |
| | | | | dr | 0.XXX ± 0.051 | scale | title |
| | | | | enr | 0° ± 2° | 1:1 | 6P + 24S |
| | | | | chr | | | R/A PRESSFIT RECEPTACLE |
| | | | | oppd | | | product family |
| | | | | | | | PwrBlade |
| sheet index | revision sheet | A 1 | A 2 | A 3 | A 4 | | size |
| | | | | | | | dwg no |
| | | | | | | | 51866-044 |
| | | | | | | | code |
| | | | | | | | 213 |
| | | | | | | | sheet |
| | | | | | | | 1 of 4 |

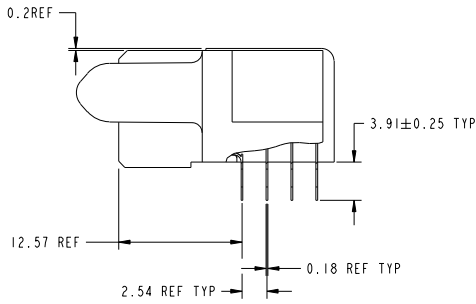
| CUSTOMER | | FCI | |
|-------------------------|--|-------------------------|--|
| www.fciconnect.com | | www.fciconnect.com | |
| title | | 6P + 24S | |
| R/A PRESSFIT RECEPTACLE | | R/A PRESSFIT RECEPTACLE | |
| product family | | PwrBlade | |
| size | | code | |
| A | | 213 | |
| dwg no | | sheet | |
| 51866-044 | | 1 of 4 | |
| scale | | code | |
| 1:1 | | 22526 | |

Tous droits strictement réservés. Reproduction ou communication à des tiers interdite sous quelque forme que ce soit sans autorisation écrite du propriétaire. Propriété de FCI. Droits de reproduction FCI.

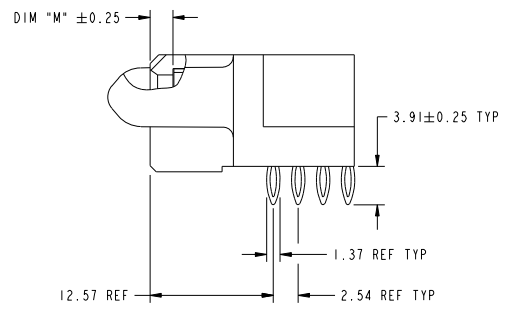
All rights strictly reserved. Reproduction or issue to third parties in any form whatever is not permitted without written authority from the proprietor. Property of FCI. Copyright FCI.



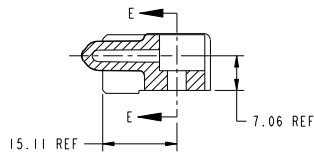
PRODUCT NUMBER
51866-044...
NOTE 3



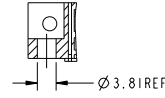
BROKEN-OUT SECTION A-A
SCALE 2:1



BROKEN-OUT SECTION B-B
SCALE 2:1



SECTION C-C



PARTIAL SECTION E-E

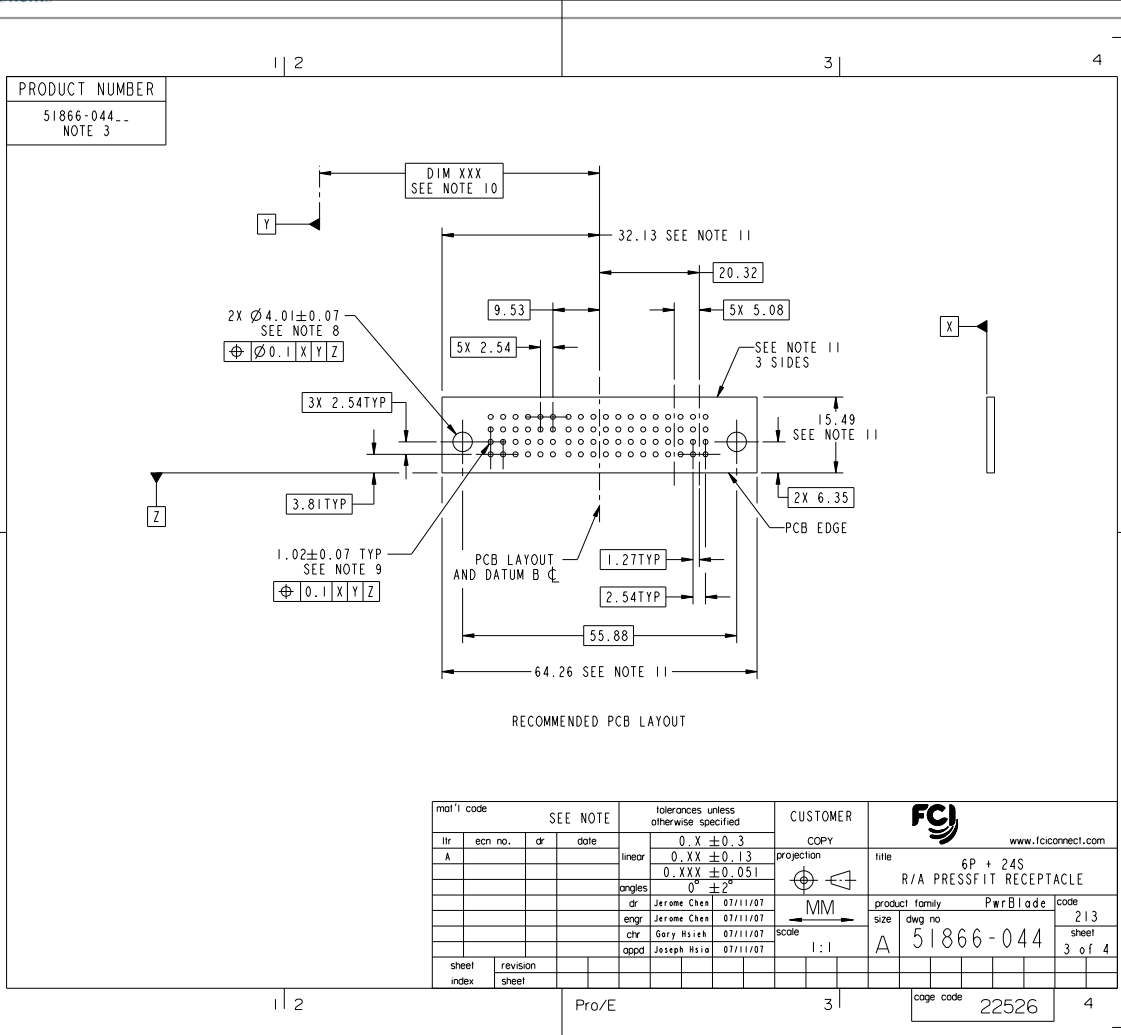
| | | | | | | | | | |
|-------------|----------------|----|------|------------|---------------------------------------|------------|-------------------------|-----------|--------------------|
| mat'l code | | | | SEE NOTE 2 | tolerances unless otherwise specified | CUSTOMER | FCI | | www.fciconnect.com |
| ltr | ecm no. | dr | date | linear | 0.X ± 0.3 | COPY | title | | |
| A | | | | linear | 0.XX ± 0.13 | projection | 6P + 24S | | |
| | | | | angles | 0.XXX ± 0.051 | MM | R/A PRESSFIT RECEPTACLE | | |
| | | | | dr | 0° ± 2° | scale | product family | PwrBlade | code |
| | | | | enr | Jerome Chen 07/11/07 | 1:1 | size | dwg no | 213 |
| | | | | chr | Jerome Chen 07/11/07 | | A | 51866-044 | sheet |
| | | | | oppd | Gary Hsieh 07/11/07 | | | | 2 of 4 |
| | | | | | Joseph Hsiao 07/11/07 | | | | |
| sheet index | revision sheet | | | | | | | | |

Pro/E

cage code 22526

Tous droits strictement réservés. Reproduction ou communication à des tiers interdite sous quelque forme que ce soit sans autorisation écrite du propriétaire. Propriété de FCI. Droits de reproduction FCI.

All rights strictly reserved. Reproduction or issue to third parties in any form whatever is not permitted without written authority from the proprietor. Property of FCI. Copyright FCI.



Tous droits strictement réservés. Reproduction ou communication à des tiers interdite sous quelque forme que ce soit sans autorisation écrite du propriétaire. Propriété de FCI. Droits de reproduction FCI.

All rights strictly reserved. Reproduction or issue to third parties in any form whatever is not permitted without written authority from the proprietor. Property of FCI. Copyright FCI.

PRODUCT NUMBER
 51866-044_
 NOTE 3

NOTES:

1. DIMENSIONS AND TOLERANCES ARE IN ACCORDANCE WITH ASME Y14.5M, 1994 UNLESS OTHERWISE SPECIFIED.

CONNECTOR NOTES:

2. HOUSING MATERIAL: UL 94 V-0 GLASS FILLED HIGH-TEMP THERMOPLASTIC
 POWER CONTACT MATERIAL: COPPER ALLOY
 SIGNAL PIN MATERIAL: COPPER ALLOY

3. PLATING:
 51866-044, 51866-044LF PLATING SPEC. WAS SHOWN IN THE PRINT OF 10064183.

4. MANUFACTURER'S NAME, P/N, AND DATE CODE TO APPEAR ON THIS SURFACE.

5. PRODUCT SPECIFICATION GS-12-149.
 APPLICATION SPECIFICATION BUS-20-067.

6. PACKAGED IN TRAYS.

PCB NOTES:

7. ALL HOLE DIAMETERS ARE FINISHED HOLE SIZE.

8. MOUNTING HOLES, WHERE APPLICABLE, ARE UNPLATED.

9. $\varnothing 1.151 \pm 0.025$ DRILLED HOLES PLATED WITH
 0.008 MIN SnPb OR Sn OVER 0.03
 TO 0.08 Cu PLATING TO ACHIEVE
 $\varnothing 1.02 \pm .07$ HOLE.

10. "DIM XXX" TO BE DETERMINED BY THE CUSTOMER.

11. CONNECTOR KEEP-OUT ZONE.

12. USE FCI CAM TOOL 430140-XXX TO APPLY CONNECTOR TO PCB.

| mat'l code | | | | SEE NOTE 2 | | tolerances unless otherwise specified | | CUSTOMER | |
|-------------|----------------|----|------|------------|-----------------------|---------------------------------------|--|------------------------------|--|
| ltr | ecm no. | dr | date | linear | $0.X \pm 0.3$ | projection | | www.fciconnect.com | |
| A | | | | | $0.XX \pm 0.13$ | COPY | | title | |
| | | | | angles | $0.XXX \pm 0.051$ | | | 6P + 24S | |
| | | | | dr | $0^\circ \pm 2^\circ$ | | | R/A PRESSFIT RECEPTACLE | |
| | | | | engr | Jerome Chen 07/11/07 | | | product family PwrBlade code | |
| | | | | chr | Jerome Chen 07/11/07 | size | | dwg no | |
| | | | | appd | Gary Hsieh 07/11/07 | A | | 51866-044 | |
| | | | | | Joseph Hsia 07/11/07 | scale | | 213 | |
| sheet index | revision sheet | | | | | 1:1 | | 4 of 4 | |

cage code 22526