

Excellent Integrated System Limited

Stocking Distributor

Click to view price, real time Inventory, Delivery & Lifecycle Information:

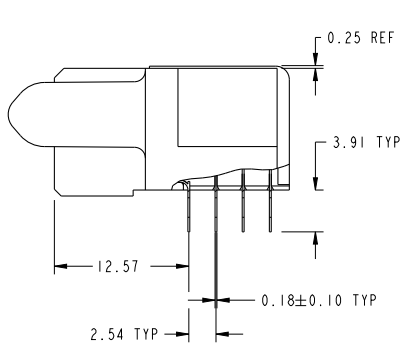
[FCI](#)

[51866-053LF](#)

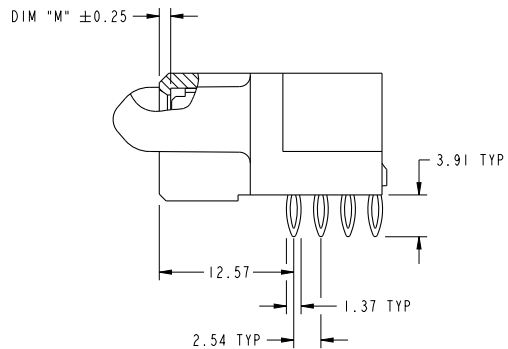
For any questions, you can email us directly:

sales@integrated-circuit.com

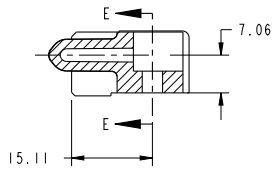
PRODUCT NUMBER
51866-053...
NOTE 3



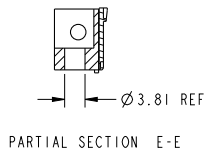
BROKEN-OUT SECTION A-A
SCALE 2:1



BROKEN-OUT SECTION B-B
SCALE 2:1



SECTION C-C



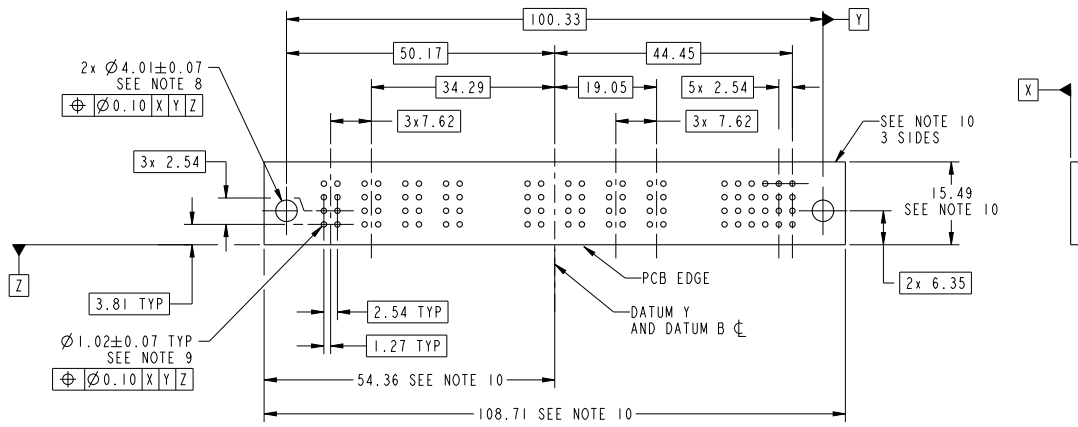
PARTIAL SECTION E-E

dr	Luo Weller	2013/01/10	projection	MM	size	A4	scale	1:1	
eng	Luo Weller	2013/02/04			ecn no	-			
chr	-	-	product family	PwrBlade	rel level	Released			
appr	Pei-Ming Zheng	2013/02/04	www.fci.com		title	24S+10ACP R/A PRESS-FIT RECEPTACLE		rev	A
cat. no.			Product - Customer Drw			sheet 2 of 4			

Copyright FCI.

PRODUCT NUMBER

51866-053...
NOTE 3



RECOMMENDED PCB LAYOUT

dr	Luo Weller	2013/01/10	projection	MM	size	A4	scale	1:1
eng	Luo Weller	2013/02/04			ecn no	-	rel level	
chr	-	-			product family	PwrBlade	Released	
appr	Pei-Ming Zheng	2013/02/04				cat. no.	24S+10ACP	rev
						cat. no.	R/A PRESS-FIT RECEPTACLE	rev
			www.fci.com			cat. no.	Product - Customer Drw	sheet 3 of 4

Print File : REV C - 2009-08-09

PRODUCT NUMBER
51866-053...
NOTE 3

- NOTES:
- DIMENSIONS AND TOLERANCES ARE IN ACCORDANCE WITH ASME Y14.5M, 1994 UNLESS OTHERWISE SPECIFIED.
- CONNECTOR NOTES:
- HOUSING MATERIAL: UL 94 V-0 GLASS FILLED HIGH-TEMP THERMOPLASTIC
POWER CONTACT MATERIAL: COPPER ALLOY
SIGNAL PIN MATERIAL: COPPER ALLOY
 - SEE ITEM 7 & 8 IN PRINT 10064183 FOR PLATING SPEC OF 51866-053 AND 51866-053LF RESPECTIVELY.
 - MANUFACTURER'S NAME, DATE CODE AND OPTIONAL P/N TO APPEAR ON THIS SURFACE. THE MARK CAN BE OMITTED IF THERE IS NOT ENOUGH SPACE ON THIS SURFACE.
 - PRODUCT SPECIFICATION GS-12-149.
APPLICATION SPECIFICATION BUS-20-067.
 - PACKAGED IN TRAYS.
- PCB NOTES:
- ALL HOLE DIAMETERS ARE FINISHED HOLE SIZE.
 - MOUNTING HOLES, WHERE APPLICABLE, ARE UNPLATED.
 - $\varnothing 1.151 \pm 0.025$ DRILLED HOLES PLATED WITH 0.008 MIN SnPb OR Sn OVER 0.03 TO 0.08 Cu PLATING TO ACHIEVE $\varnothing 1.02 \pm .07$ HOLE.
 - CONNECTOR KEEP-OUT ZONE.
 - THE VOID CORING IN BETWEEN POWER MODULES, SIGNAL MODULES AND END MODULES ARE OPTIONAL AND THE SHAPE MAY BE DIFFERENT FOR OPTIMIZE THE MOLDING PROCESS. THE VOID CORING WILL NOT EFFECT TO PRODUCT FUNCTION.
 - USE FCI CAM TOOL 430140-XXX TO APPLY CONNECTOR TO PCB.



Copyright FCI.

dr	Luo Weller	2013/01/10	projection			size	A4	scale	1:1		
eng	Luo Weller	2013/02/04				ecn no	-				
chr	-	-	product family	PwrBlade	rel level	Released					
appr	Pei-Ming Zheng	2013/02/04			title	24S+10ACP		dwg no	51866-053	rev	A
www.fci.com		cat. no.	Product - Customer Drw			sheet 4 of 4					

Print File - REV C - 2009-08-09