

## Excellent Integrated System Limited

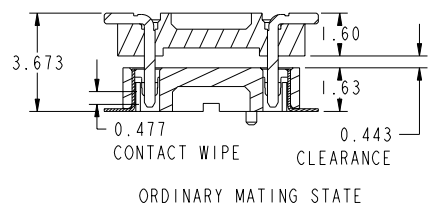
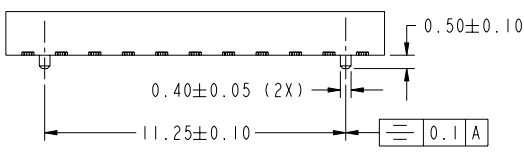
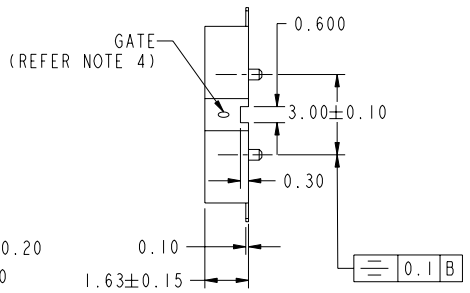
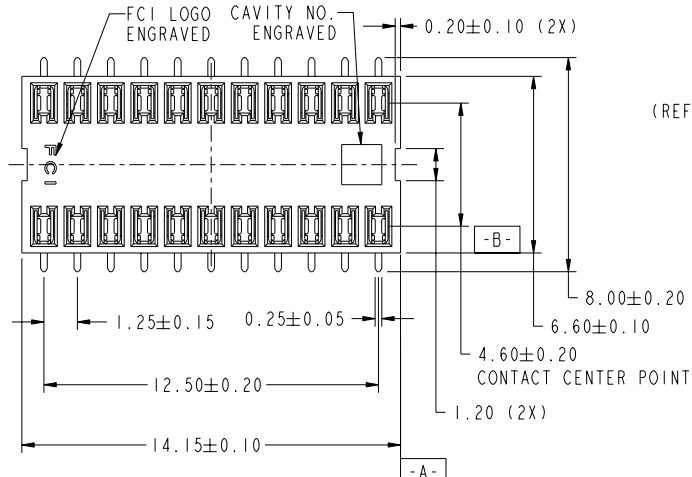
Stocking Distributor

Click to view price, real time Inventory, Delivery & Lifecycle Information:

[FCI](#)  
[10052608-001LF](#)

For any questions, you can email us directly:  
[sales@integrated-circuit.com](mailto:sales@integrated-circuit.com)

PRODUCT NO  
10052608-001LF



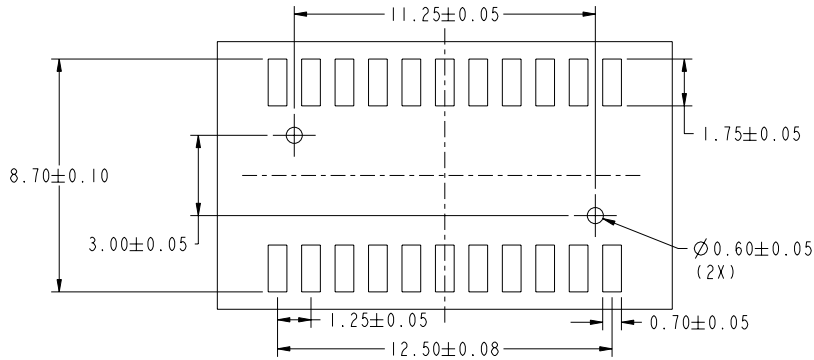
SCALE 5:1

Copyright FCI.

www.fciconnect.com			surface	tolerance	std	projection	MM
			ANGULAR	TOLERANCES UNLESS OTHERWISE SPECIFIED		⊕	↔
Dr	SH TAN	2005-01-13	LINEAR	6 MAX	±0.2	size	A4
Eng	SH TAN	2005-07-28		6 to 30 MAX	±0.3	Scale	3:1
Chr	DENNIS GOH	2008-12-18	0° ±2°	30 TO 120 MAX	±0.5	ECN	
Appr	JOEY NG	2008-12-18	Product family		Spec ref		
FCI			B1B 1.25P RECEPTACLE		diag no	10052608	Rev. C
			catalog no		CUSTOMER COPY		sheet 1 of 2

REV F - 2004-04-17

PRODUCT NO  
10052608-001LF



RECOMMENDED PAD LAYOUT  
SCALE 5:1

NOTES

1. MATERIAL:  
HOUSING: LCP, BLACK, UL94V-0  
CONTACT: PHOSPHOR BRONZE
2. FINISH:  
1.27-5.00  $\mu$ m NICKEL UNDERPLATE OVERALL,  
0.10-0.30  $\mu$ m GOLD AT CONTACT AREA  
0.05-0.20  $\mu$ m GOLD AT SOLDER AREA
3. COPLANARITY OF TERMINAL: 0.1 mm MAX.
4. NO REMAINS OF GATING AND REMOVAL OF REMAINS ARE ALLOWED ON HOUSING SURFACES.
5. PRODUCT SPECIFICATION: GS-12-391.
6. PACKAGING SPECIFICATION: GS-14-1088.
7. THIS PRODUCT MEETS EUROPEAN UNION DIRECTIVES AND OTHER COUNTRY REGULATIONS AS DESCRIBED IN GS-22-008.
8. THE HOUSING WILL WITHSTAND EXPOSURE TO 260°C PEAK TEMPERATURE FOR 10 SECONDS IN A CONVECTION, INFRA-RED OR VAPOR PHASE REFLOW OVEN.
9. THIS PRODUCT COMPLIES WITH:  
NICA00001-0451 COMMON SPECIFICATION ON MATERIAL-CAUSED FAILURES  
NICA00001-5468  
AICA00051-0560 GENERAL SPECIFICATION ON SUBSTANCE CONTROL REQUIREMENTS  
LOCA52300-078X CONNECTOR PURCHASE SPECIFICATION

10.A  $\triangle$  SYMBOL WILL BE NEXT TO ANY DIMENSION, VIEW OR NOTE WHICH HAS BEEN MODIFIED WITH THE CURRENT DRAWING REVISION.

<b>FCI</b>	TITLE	B+B 1.25P RECEPTACLE	diag no	10052608	Rev.	C
	CATALOG NO		CUSTOMER COPY		SHEET 2 OF 2	

REV F - 2006-06-17

PDM: Rev:C

STATUS:Released

4Printed: Dec 01, 2010

1

2



Copyright FCI.