



Distributor of FCI: Excellent Integrated System Limited

Datasheet of 55513-150TRLF - Connector Receptacle 50 Position 0.079" (2.00mm) Gold Surface Mount

Contact us: sales@integrated-circuit.com Website: www.integrated-circuit.com

Excellent Integrated System Limited

Stocking Distributor

Click to view price, real time Inventory, Delivery & Lifecycle Information:

[FCI](#)

[55513-150TRLF](#)

For any questions, you can email us directly:

sales@integrated-circuit.com

Contact us: sales@integrated-circuit.com Website: www.integrated-circuit.com

A

B

C

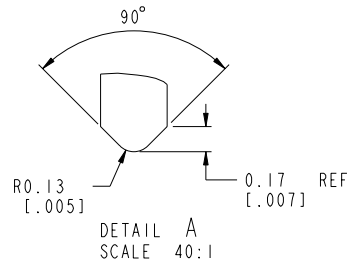
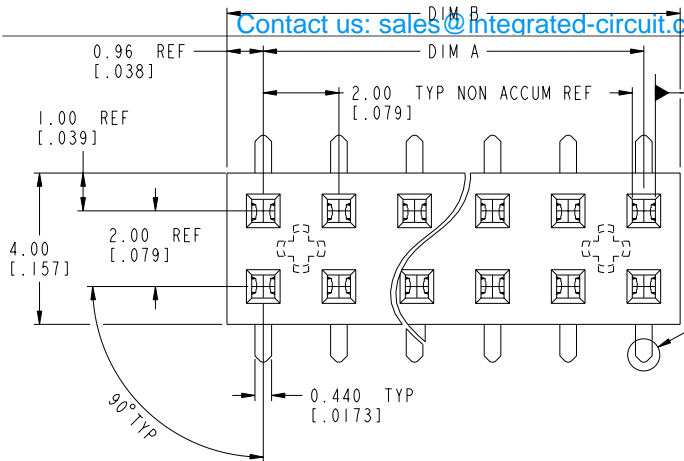
D

A

B

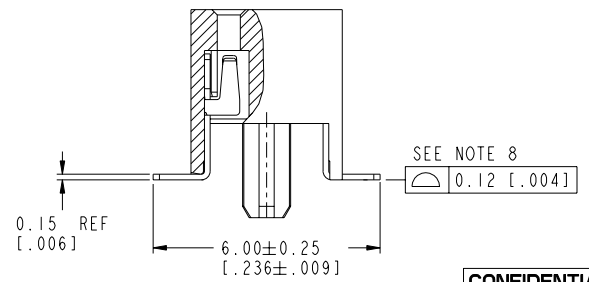
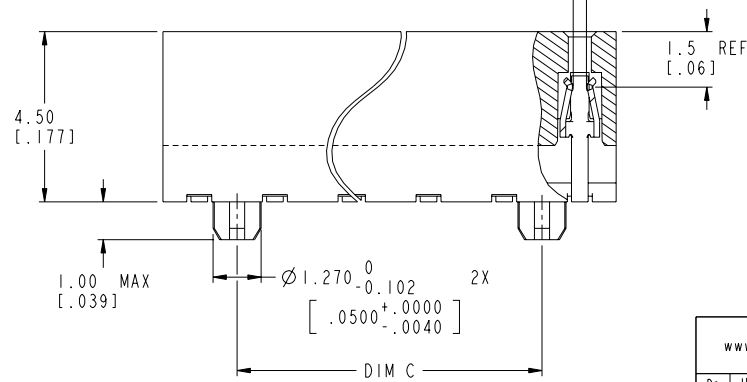
C

D



DETAIL A
SEE NOTE 6

$\varnothing 0.20$ [.007] $\text{\textcircled{A}}$ $\text{\textcircled{S}}$



CONFIDENTIAL

www.fciconnect.com		surface	ISO 1302	tolerance	std	ISO 406	ISO 1101	projection	MM / INCH
Dr	JPEH	2002-07-15	ANGULAR	TOLERANCES UNLESS OTHERWISE SPECIFIED				size	A3
Eng	JPEH	2002-07-19	LINEAR	x.xx/.xx	±0.3/.01			Scale	10:1
Chr	KH LEE	2009-12-18	0° ±2°	x.xxx/.xxx	±0.13/.005	ECN	S10-0207		
Appr	JOEY NG	2009-12-18	Product family	x.xxx/.xxx	±0.05/.0020	Spec ref	-		
			Product family	LPVCC					
FCI		TITLE		55513		Rev.		F	
		LOW PROFILE VCC 4.5 TOP ENTRY							
		SMT ASSY WITH LOCATING FEATURES							
		catalog no		CUSTOMER		sheet 1 of 2			

Copyright FCI.

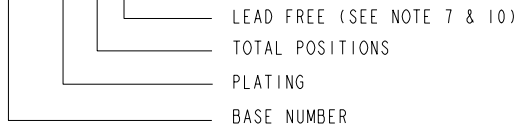
PRODUCT NO	POSITIONS	DIM. A	DIM. B	DIM. C	TAPE-REEL AVAILABLE
55513-X32	2 X 16	30.00 / 1.181	31.92 / 1.256	28.00 / 1.102	YES
55513-X50	2 X 25	48.00 / 1.890	49.92 / 1.965	46.00 / 1.811	YES

PLATING OPTIONS OVER CONTACT AREA
1 = 0.76µm/30µ" Au
3 = 0.38µm/15µ" Au

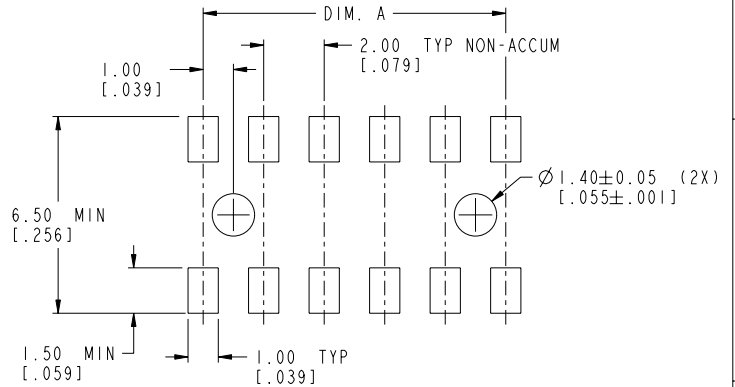
NOTES:

- HOUSING MATERIAL : HIGH TEMP PLASTIC
- TERMINAL MATERIAL: PHOSPER BRONZE
- TERMINAL RETENTION 0.5Kg/1.1 Lbs
- PRODUCT DESCRIPTION CODE:

XXXXX-X XXLF



- PACKAGING:
(a) XXXXX-XXX --- STD PACKAGING IN TUBE
(b) XXXXX-XXXTR --- TAPE AND REEL WITH PICK-UP CAP.
- "V" CUT OPTIONAL - MANUFACTURING PROCESS OPTION.
- SOLDERTAIL PLATING:
a) SOLDERTAIL P/N:55513 - XXX IS TIN/LEAD PLATED.
b) SOLDERTAIL P/N:55513 - XXXLF, IS 100% MATTE TIN PLATED.
- CO-PLANARITY
FROM POSITION - X04 THRU -X38 : 0.10/.004
- X40 THRU -X50 : 0.12/.005
- THE HOUSING WILL WITHSTAND EXPOSURE TO 255°C PEAK TEMPERATURE FOR 10 SECONDS IN A CONVECTION, INFRA-RED OR VAPOR PHASE REFLOW OVEN.
- THIS PRODUCT MEETS EUROPEAN UNION DIRECTIVES AND OTHER COUNTRY REGULATIONS AS DESCRIBED IN GS-22-008.
- A Δ SYMBOL WILL BE NEXT TO ANY DIMENSION, VIEW OR NOTE WHICH HAS BEEN MODIFIED WITH THE CURRENT DRAWING REVISION.



RECOMMENDED PAD LAYOUT

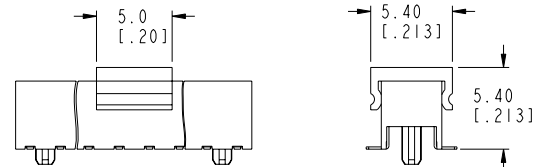


FIG 1
NOTE 5b

CONFIDENTIAL

www.fciconnect.com		surface ISO 1302	tolerance std ISO 406 ISO 1101	projection	MM / INCH
		TOLERANCES UNLESS OTHERWISE SPECIFIED		\oplus	Scale
Dr	JPEH	2002-07-15	ANGULAR	x.xx.xx	±0.3/.01
Eng	JPEH	2002-07-19	LINEAR	x.xx/.xxx	±0.13/.005
Chr	KH LEE	2009-12-18	0° ±2°	x.xxx/.xxx	±0.05/.0020
Appr	JOEY NG	2009-12-18	Product family	LPVCC	Spec ref
Title		LOW PROFILE VCC 4.5 TOP ENTRY		Eng no	55513
SMT ASSY WITH LOCATING FEATURES				Rev.	F
catalog no		CUSTOMER		sheet 2 of 2	