

Excellent Integrated System Limited

Stocking Distributor

Click to view price, real time Inventory, Delivery & Lifecycle Information:

[FCI](#)

[84655-022LF](#)

For any questions, you can email us directly:

sales@integrated-circuit.com

DESCRIPTION: ABOVE AND BELOW P.C.B., DECK IS AS VIEWED BY USER.

PRODUCT NO. 84655-XXX	STAND-OFF HEIGHT	Ⓐ CLOSEST TO P.C.B. HEADER ASSY 88640-XXX	Ⓑ FARTHEST FROM P.C.B. HEADER ASSY 88640-XXX	Ⓒ MATING RECEPTACLE	MOUNTING STYLE TO PCB
022	2.2	022	025	69 POSITION RECEPTACLE PART NO. 91931-31169 91931-31169LF ORDER SEPARATELY	
043	4.3	043	045		
050	5.0	050	055		
022LF	2.2	022LF	025LF		
043LF	4.3	043LF	045LF		
050LF	5.0	050LF	055LF		
522	2.2	122	125		
543	4.3	143	145		
550	5.0	150	155		
522LF	2.2	122LF	125LF		
543LF	4.3	143LF	145LF		
550LF	5.0	150LF	155LF		

NOTES:

1. MATERIAL:

1.1 HEADER ASSY:

PLASTIC HOUSING: HIGH TEMPERATURE THERMOPLASTIC UL94V-0 BLACK - ABOVE PCB AND NATURAL - BELOW PCB.

PIN: PHOSPHOR BRONZE

PCB: FR4

1.2 NON-EJECT MECHANISM ASSY:

PLASTIC GUIDE: HIGH TEMPERATURE THERMOPLASTIC UL94V-0 BLACK

COVER PLATE: STAINLESS STEEL

EMI CONTACT: PHOSPHOR BRONZE

1.3 MATING RECEPTACLE (91931-31169)

PLASTIC: HIGH TEMPERATURE THERMOPLASTIC UL94V-0 BLACK

CONTACT: BeCu

2. FINISH (PIN)

UNDER PLATING: 0.5µm Ni

CONTACT AREA: 0.076 µm MIN. GOLD

SOLDER TAIL: 2.5µm Sn-Pb

: 2.5µm PURE Sn (FOR-***LF)

3. DIM "X"

4.25±0.1	3.5±0.1	5.0±0.1
OTHERS	36,67	1,17,34,35,51,68

4. RECOMMENDED HOLD DOWN: 2mm SCREWS

95121 AND 2mm NUTS 92869.

RECOMMENDED SCREW TORQUE: 1.0 TO

1.5 MAX in-lbs. (1.2-1.7 cm-kgs).

5. SEE 88640 FOR SINGLE DECK APPLICATIONS

6. IF LEAD FREE P/N.THE HOUSING WILL WITHSTAND EXPOSURE TO 260°C PEAK TEMPERATURE FOR 10 SECONDS IN A WAVE SOLDER APPLICATION WITH A 1.00MM MINIMUM THICK CIRCUIT BOARD.

7. IF LEAD FREE P/N.THE PRODUCT MEETS EUROPEAN UNION DIRECTIVES

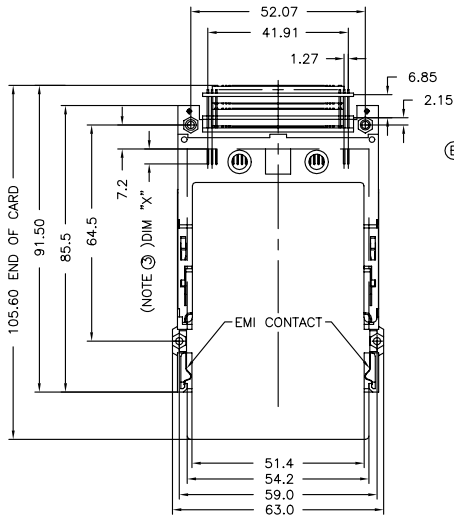
AND OTHER COUNTRY REGULATIONS AS DESCRIBED IN GS-22-008

8. LEAD FREE P/N PACKAGING MEETS GS-14-920 SPECIFICATION

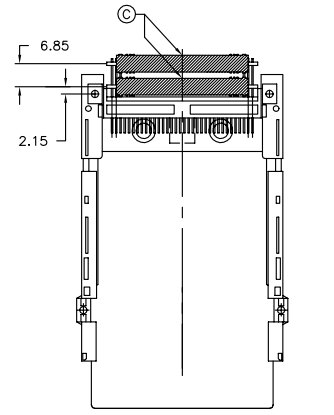
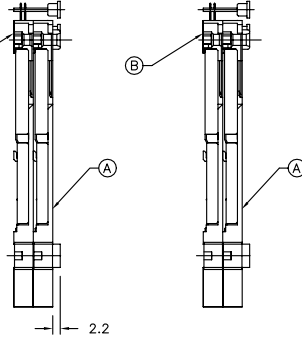
9. PRODUCT SPEC:110-263

mat'l. code	surface	tolerance	projection	product family						
	ISDI302 ✓	ISDI101 ISDI406	MM	MCS						
tr	ecr	ndr	date	tolerances unless otherwise specified						
B	T00218	RGD	7/17/00	0.X±0.3						
C	N05-0192	WB	07/05/05	0.XX±0.13						
D	BX-N-011424	ZK	04/02/12	0.XXX±0.051						
			0°±2'	scale 1:1						
	dr	G.CLEMENS	1/13/99							
	engr	D.BRANN	1/13/99							
	chr	D.BRANN	1/13/99							
	appd	D.BRANN	1/13/99	dwg no						
sheet	revision	D	D	D	D	D	D	dwg no	sheet 1 of 6	size
index	sheet	1	2	3	4	5	6	84655	A4	
								type	Product	Customer Drawing

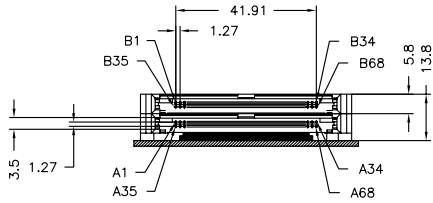
PRODUCT NUMBER
 84655-***/**/***LF



MATING RECEPTACLE SHOWN FOR APPLICATION CLARITY ONLY. MUST BE ORDERED SEPARATELY



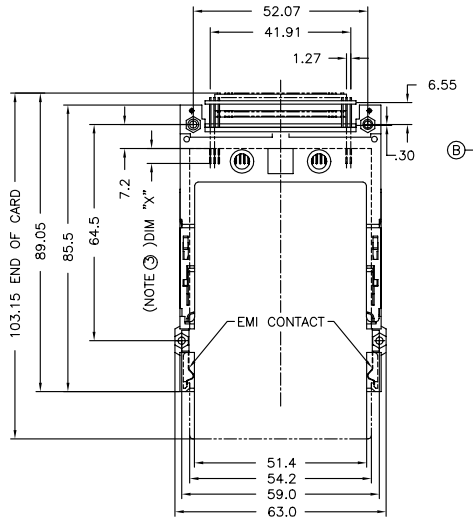
P/N: 84655-522/522LF
 BELOW P.C.B.
 PCB LAYOUT 3 (SH.6)



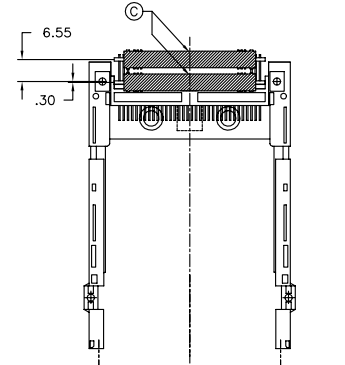
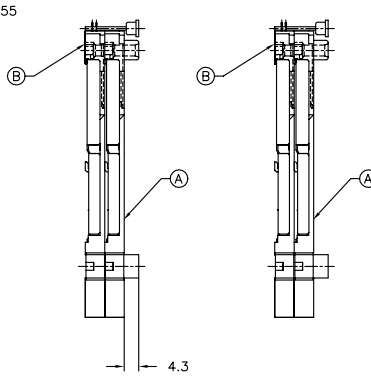
P/N: 84655-022/022LF
 ABOVE P.C.B.
 PCB LAYOUT 1 (SH.5)

mat'l. code	surface	tolerance	projection	product family
	ISD1302 ✓	ISD1101 ISD406		MCS
tr/ecn no/dt date	tolerances unless otherwise specified			title
D	angles	0.XX±0.3	MM	DOUBLE DECK
	0°±2'	0.XX±0.13	scale 1:1	ASSY. SMT TYPE 123
	dr	G.CLEMENS 1/13/99		dwg no
	enr	D.BRANN 1/13/99		84655
	chr	D.BRANN 1/13/99		sheet 2 of 6
	appd	D.BRANN 1/13/99		size A4
sheet index	revision sheet		type	Product Customer Drawing

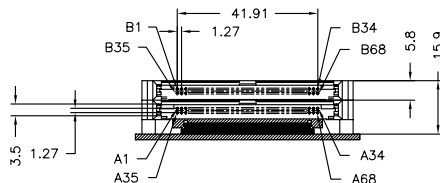
PRODUCT NUMBER
 84655-***/**/LF



MATING RECEPTACLE SHOWN
 FOR APPLICATION CLARITY ONLY.
 MUST BE ORDERED SEPARATELY.



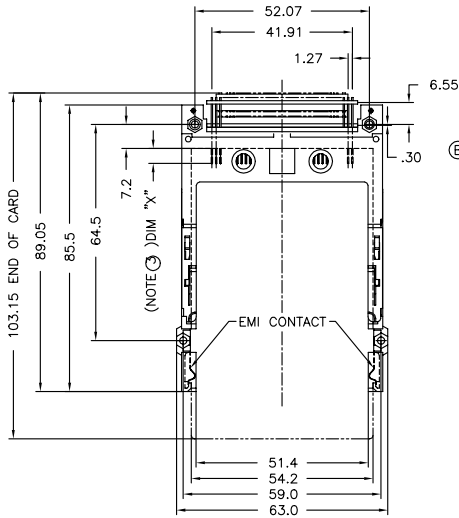
P/N: 84655-543/543LF
 BELOW P.C.B.
 PCB LAYOUT 4 (SH.6)



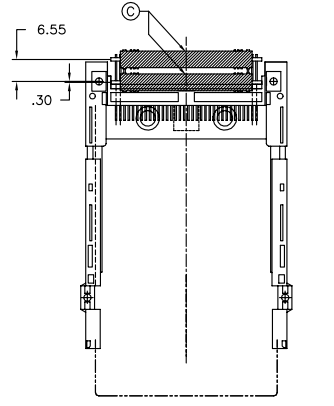
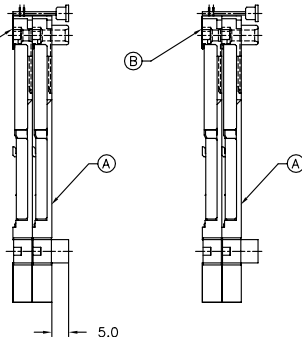
P/N: 84655-043/043LF
 ABOVE P.C.B.
 PCB LAYOUT 2 (SH.5)

mat'l. code	surface ISD1302 ✓	tolerance ISD1101 ISD406	projection MM	product family MCS
tr/ecn no/dt date	tolerances unless otherwise specified		title	
D	angles 0°±2'	0.X±0.3 0.XX±0.13 0.XXX±0.051	MM	DOUBLE DECK ASSY. SMT TYPE 123
	dr G.CLEMENS 1/13/99	scale 1:1	FCI	dwg no 84655 sheet 3 of 6 size A4
	engr D.BRANN 1/13/99			type Product Customer Drawing
	chr D.BRANN 1/13/99			
	appd D.BRANN 1/13/99			
sheet index	revision sheet			

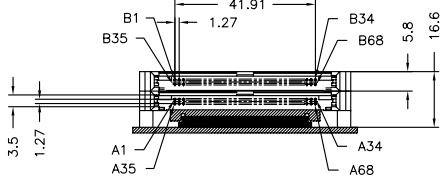
PRODUCT NUMBER
 84655-***/**/LF



MATING RECEPTACLE SHOWN FOR APPLICATION CLARITY ONLY. MUST BE ORDERED SEPARATELY



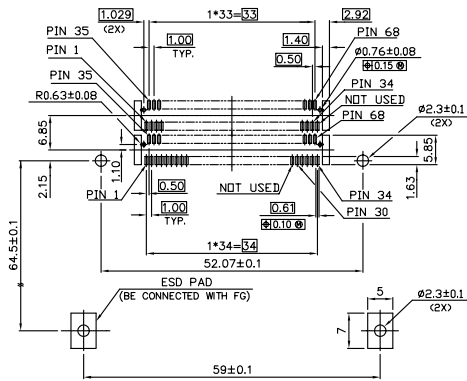
P/N: 84655-550/550LF
 BELOW P.C.B.
 PCB LAYOUT 4 (SH.6)



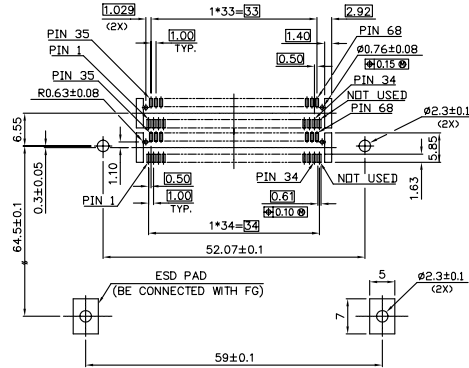
P/N: 84655-050/050LF
 ABOVE P.C.B.
 PCB LAYOUT 2 (SH.5)

mat'l. code	surface	tolerance	projection	product family
	ISD1302 ✓	ISD1101 ISD406		MCS
ltr ecn nchr date	tolerances unless otherwise specified			
D	angles	0.XX±0.3	MM	DOUBLE DECK
	0°±2'	0.XX±0.13	scale 1:1	ASSY. SMT TYPE 123
	dr	G.CLEMENS 1/13/99		dwg no
	enr	D.BRANN 1/13/99		sheet 4 of 6
	chr	D.BRANN 1/13/99		size
	appd	D.BRANN 1/13/99		A4
sheet	revision		type	Product Customer Drawing
index	sheet			

PRODUCT NUMBER
84655-***/**/LF



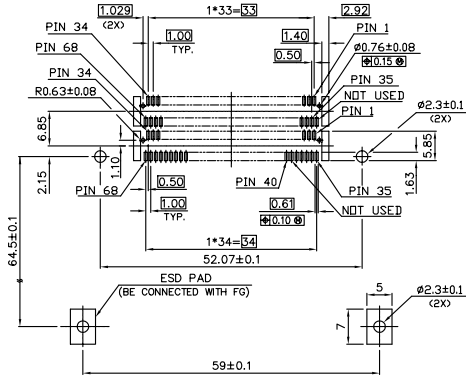
RECOMMENDED P.C.B. LAYOUT 1 (MOUNTED SIDE)
 USED FOR 84655-022/022LF



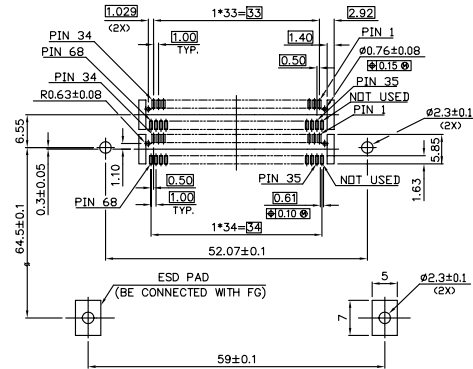
RECOMMENDED P.C.B. LAYOUT 2 (MOUNTED SIDE)
 USED FOR 84655-043/043LF
 USED FOR 84655-050/050LF

mat'l. code	surface ISD1302 ✓	tolerance ISD1101 ISD406	projection MM	product family MCS
ltr ecn nchr date	tolerances unless otherwise specified			title DOUBLE DECK ASSY. SMT TYPE 123
d	angle 0°±2'	0.X±0.3 0.XX±0.13 0.XXX±0.051	scale 1:1	dwg no 84655 sheet 5 of 6 A4
	dr G.CLEMENS 1/13/99			type Product Customer Drawing
	engr D.BRANN 1/13/99			
	chr D.BRANN 1/13/99			
	appd D.BRANN 1/13/99			
sheet index	revision sheet			

PRODUCT NUMBER
84655-***/**/LF



RECOMMENDED P.C.B. LAYOUT 3 (MOUNTED SIDE)
 USED FOR 84655-522/522LF



RECOMMENDED P.C.B. LAYOUT 4 (MOUNTED SIDE)
 USED FOR 84655-543/543LF
 USED FOR 84655-550/550LF

mat'l. code	surface ISD1302 ✓	tolerance ISD1101 ISD406	projection MM	product family MCS
ltr	ecnr	ndat	date	title DOUBLE DECK ASSY. SMT TYPE 123
D				scale 1:1
				dwg no 84655
				sheet 6 of 6
				size A4
				type Product Customer Drawing
sheet index	revision sheet			