

Excellent Integrated System Limited

Stocking Distributor

Click to view price, real time Inventory, Delivery & Lifecycle Information:

[FCI](#)
[20020034-G021B01LF](#)

For any questions, you can email us directly:
sales@integrated-circuit.com



1 | 2

FCIconnect.com

3 |

4

PRODUCT NUMBER
 20020034-XXXXXXLF

20020034-□ □ □ □ B 0 □ L F

PITCH
 G: 5.00 mm
 H: 5.08 mm

POLES
 02: 2 POLES
 03: 3 POLES

 24: 24 POLES

LF : DENOTED RoHS COMPATIBLE

1 : STANDARD PRODUCT
 W/ BOX PACKING

PROPERTY TABLE			
FCI SERIES NAME		35-500	35-508
PITCH (mm)		5.00	5.08
VOLTAGE RATING (VAC)		300	300
CURRENT RATING (A)		10	10
APPLICABLE WIRE RANGE (AWG)		1-WIRE 12~26	12~26
		2-WIRE	NA
WIRE CROSS SECTION (mm ²)	SOLID	1-WIRE	2.5
		2-WIRE	NA
	STRANDED	1-WIRE	2.5
		2-WIRE	NA
OPENING CONTACT HOUSING(mm ²)		2.4x3.0	2.2x2.7
WIRE STRIP LENGTH(mm)		9~10	9~10
WITHSTANDING VOLTAGE (kV)		1.6	1.6
OPERATING TEMP. (°C)		-40~+115	-40~+115
POLES AVAILABLE		02~24	02~24
SAFETY CERTIFICATE			

HOUSING CODE

CODE	COLOR	AVAILABILITY
1	GREEN(RAL 6018/T)	STANDARD
2	BLACK	ON REQUEST ONLY
3	GREY(RAL 7004/P)	ON REQUEST ONLY
4	BLUE(RAL 5015/A)	ON REQUEST ONLY

NOTES:

1. MATERIALS

- 1-1 HOUSING: THERMALPLASTIC RESIN, UL 94V-0 RATED.
- 1-2 INSULATING LEVER: THERMALPLASTIC RESIN, UL 94V-0 RATED.
- 1-3 WIRE GUARD : STAINLESS STEEL.
- 1-4 TERMINAL: COPPER ALLOY, TIN PLATED.
- 1-5 SCREW: STEEL, ZINC PLATED.

2. PRODUCT SPECIFICATION REFER TO FCI GS-12-625.

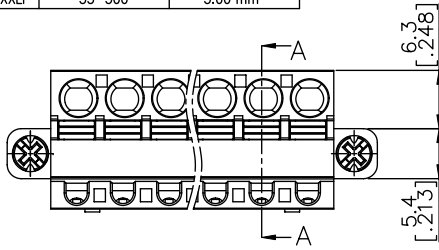
3. PRODUCT PACKING SPECIFICATION REFER TO FCI GS-14-1394.

4. FCI, SAFETY CERTIFICATE LOGO AND SERIES NAME TO BE SHOWN ON PRODUCT SURFACE.

5. THE PRODUCTS WHERE THE PART NUMBER END IN "LF" MEET THE EUROPEAN UNION DIRECTIVE AND OTHER COUNTRY REGULATIONS AS DESCRIBED IN GS-22-008.

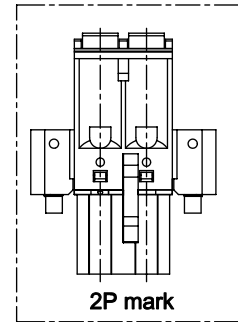
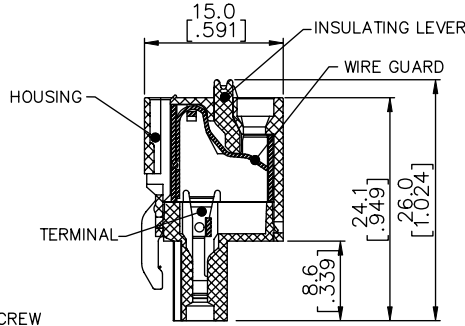
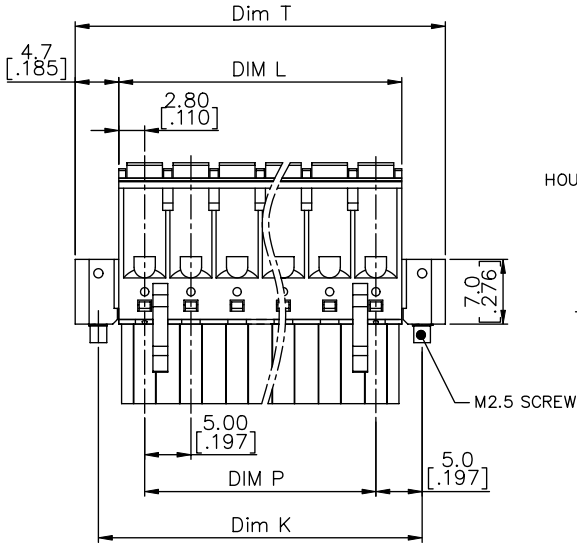
mat'l. code		surface ASME Y14.5	tolerance ASME Y14.5	projection	product family
ltr	ecn no	dr	date	tolerances unless otherwise specified	TERMINAL BLOCK
A	T11-0004	WL	011811	angles	title
B	T-005306	WL	082311	X.±0.5	TERMINAL BLOCK
				X.X±0.3	PLUGGABLE SIGNAL PLUG, UPSIDE CONTACT
				X'±1'	W/FLANGE
				X.XX±0.1	scale
		dr	WENDY CHEN	113010	MM
		enrg	JASON HSU	113010	[INCH]
		chr	JASON HSU	113010	scale
		appd	JASON HSU	113010	dwg no
sheet	revision	B	B	B	sheet 1 of 3
index	sheet	1	2	3	size
					20020034
					A4
					type
					CUSTOMER Drawing

PRODUCT NUMBER	SERIES NAME	PITCH
20020034-GXXXXXXLF	35-500	5.00 mm



N = Number of poles
 Dim. L = (N x 5.0 [.197]) + 0.6 [.111]
 Dim. P = (N - 1) x 5.0 [.197]
 Dim. T = (N x 5.0 [.197]) + 10.62 [.418]
 Dim. K = (N + 1) x 5.0 [.197]

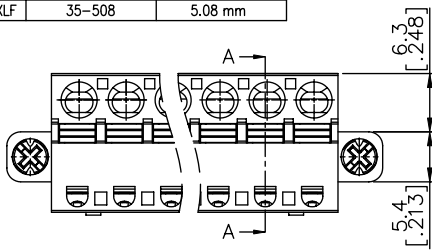
POLES	Dim. L & P	Dim. T & K
2-6p	±0.15 [.006]	±0.15 [.006]
7-12p	±0.20 [.008]	±0.25 [.010]
13-18p	±0.25 [.010]	±0.30 [.012]
19-24p	±0.30 [.012]	±0.40 [.016]



SECTION A-A

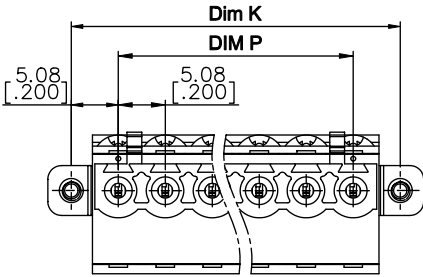
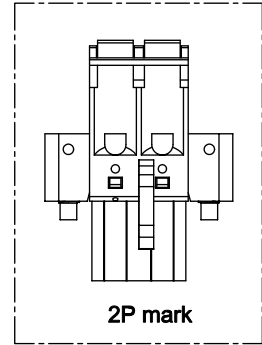
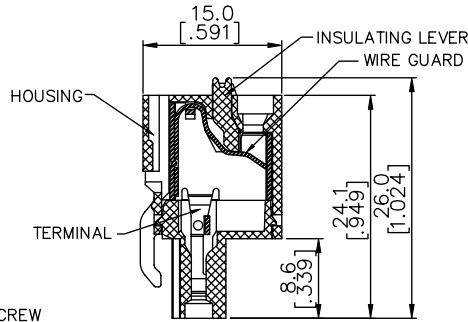
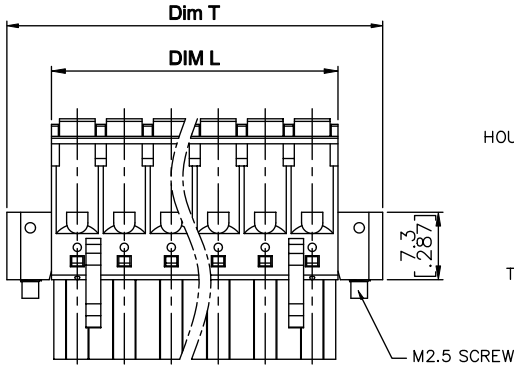
mat'l. code	surface ASME Y14.5	tolerance ASME Y14.5	projection	product family
ltr	tolerances unless otherwise specified		MM [INCH]	TERMINAL BLOCK
ecn	angles	X.±0.5	scale	title
no	X'±1'	X.X±0.3	MM [INCH]	TERMINAL BLOCK
dr	dr	WENDY CHEN 113010	scale	PLUGGABLE SIGNAL PLUG, UPSIDE CONTACT
date	enr	JASON HSU 113010	scale	W/FLANGE
	chr	JASON HSU 113010	scale	dwg no
	appd	JASON HSU 113010	scale	20020034
sheet	revision			sheet 2 of 3
index	sheet			size A4
				type CUSTOMER Drawing

PRODUCT NUMBER	SERIES NAME	PITCH
20020034-HXXXXXXLF	35-508	5.08 mm



N = Number of poles
 Dim. L = (N x 5.08 [.200]) + 0.5 [.020]
 Dim. P = (N - 1) x 5.08 [.200]
 Dim. T = (N x 5.08 [.200]) + 10.16 [.400]
 Dim. K = (N + 1) x 5.08 [.200]

Poles	Dim. L & P & T & K
2-6p	±0.20 [.008]
7-12p	±0.30 [.012]
13-16p	±0.40 [.016]
17-24p	±0.50 [.020]



mat'l. code		surface ASME Y14.5	tolerance ASME Y14.5	projection	product family TERMINAL BLOCK
ltr	ecn no dr date	tolerances unless otherwise specified		MM [INCH]	title TERMINAL BLOCK PLUGGABLE SIGNAL PLUG, UPSIDE CONTACT W/FLANGE
B		angles X ± 1°	X ± 0.5 X.X ± 0.3 X.XX ± 0.1	scale	dwg no 20020034
		dr	WENDY CHEN 113010	FCI	sheet 3 of 3 size A4
		enrg	JASON HSU 113010		type CUSTOMER Drawing
		chr	JASON HSU 113010		
		appd	JASON HSU 113010		
sheet index	revision sheet				