

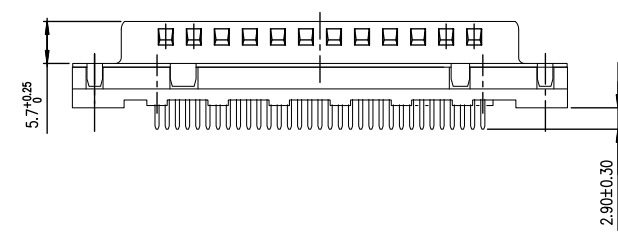
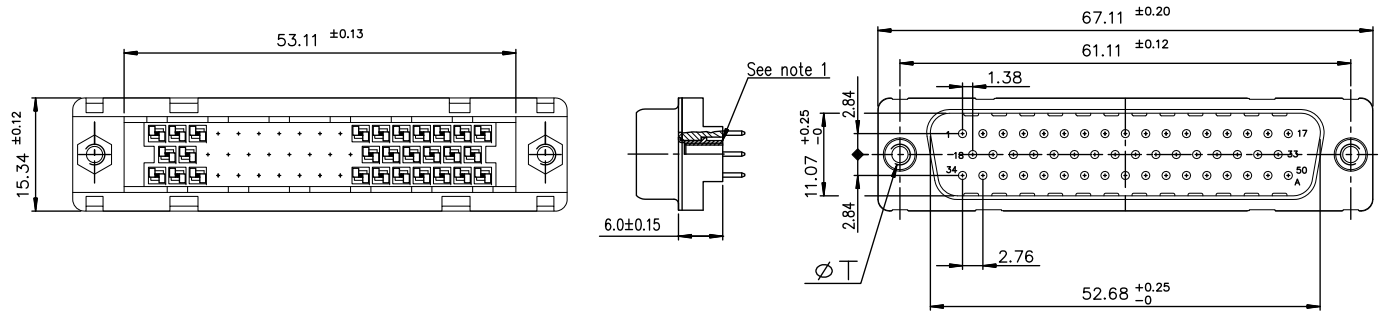
Excellent Integrated System Limited

Stocking Distributor

Click to view price, real time Inventory, Delivery & Lifecycle Information:

[FCI](#)
[D50P24A4PL00LF](#)

For any questions, you can email us directly:
sales@integrated-circuit.com

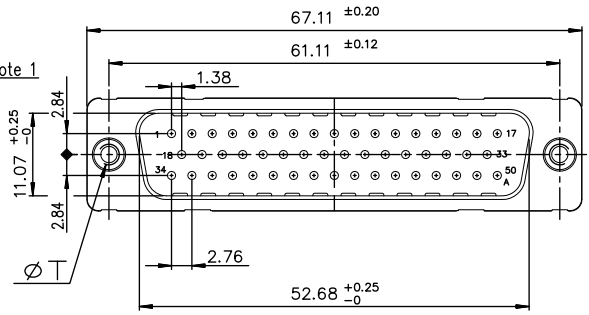


Plating: 4 --> flash AU
Plating: 6 --> 0.76 μ AU

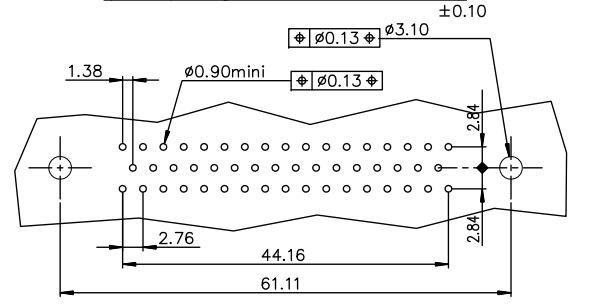
Part number: **D50P24A*P*00LF**

X--> ØT = UNC 4-40
L--> ØT = M3

GENERAL CHARACTERISTICS AND ROHS INFORMATIONS:
SEE DRAWING C01-8646-0000



PC card drilling dimensions
(after plating - thickness: 1.60 mm)



Notes:
1) The nut can protrude above the surface of insulator but maintaining the footprint dimension 6.0±0.15 mm.

mat'l. code	surface	tolerance	projection	product family
-	ISO 1302	ISO 406 ISO 1101	MM	D-SUB
ltr	ecn no	dr	date	tolerances unless otherwise specified
A	-	MPE	1997/10/29	0.XX±0.1
B	LS07-0281	MPE	2007/11/06	0.XX±0.1
C	ELX-I-15331	AB	2015/07/24	0.XXX±0.1
D	ELX-I-21256	AB	2015/07/14	0.XX±2'
-	-	-	dr	PEESSON 1997/10/27
-	-	-	enr	ALIAS.BABU 2013/07/26
-	-	-	chr	MITHUN.PAUL 2013/07/26
-	-	-	appd	BIJU.K.PAUL 2013/07/26
sheet index	revision sheet	D	1	-
				title
				MALE DELTA-D 50 EUROPE
				STRAIGHT SOLDER WITH NUT
				dwg no
				C01-8646-0589
				sheet 1 of 1
				size
				A3
				type
				CUSTOMER Drawing