

## Excellent Integrated System Limited

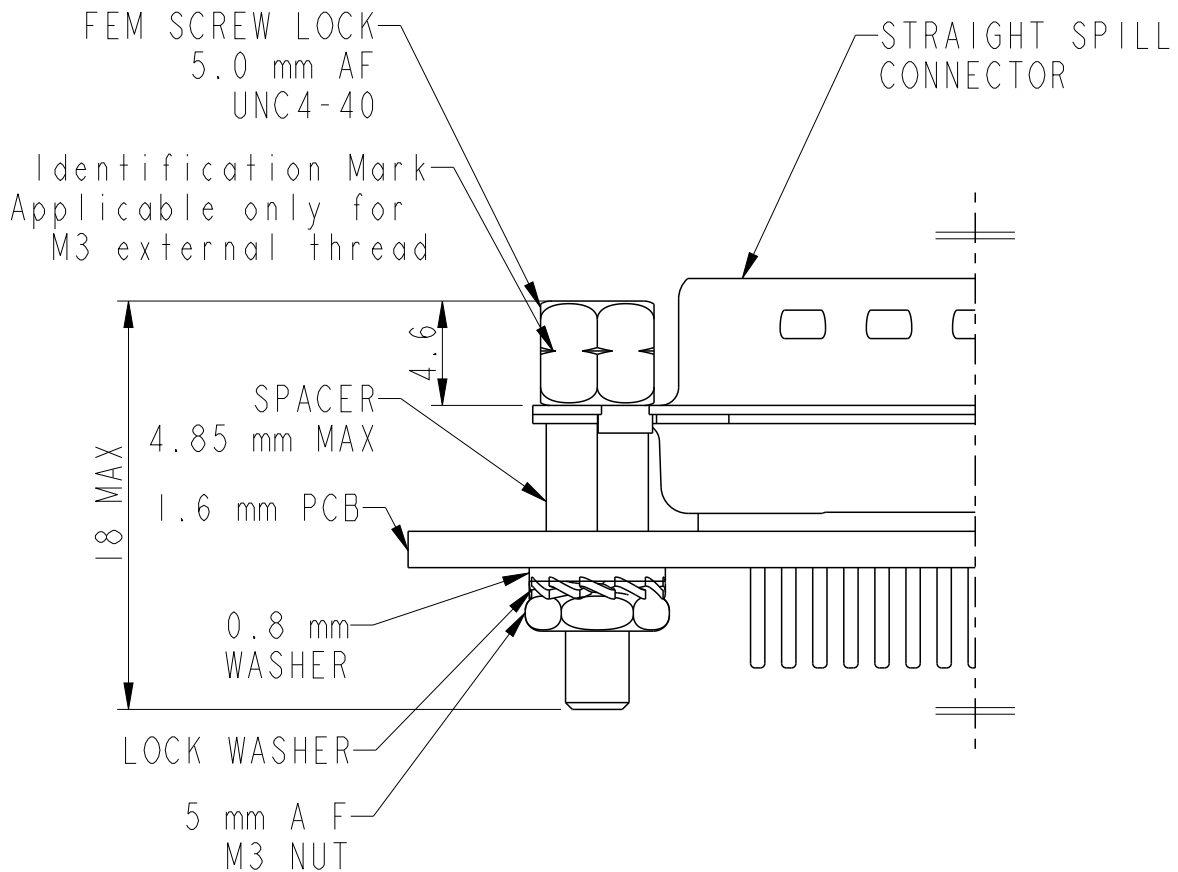
Stocking Distributor

Click to view price, real time Inventory, Delivery & Lifecycle Information:

[FCI](#)  
[863001062LF](#)

For any questions, you can email us directly:  
[sales@integrated-circuit.com](mailto:sales@integrated-circuit.com)

EXTENDED FEMALE SCREW AND SPACER FOR STRAIGHT SPILL MOUNTING



Supercedes C-DSUB-008, C-DSUB-0021 and C4-1433

rev	ecn no	dr	date
A	110-0057	AMR	2010-02-22
B	111-0001	AMR	2011-01-03
C	111-0033	AMR	2011-02-14
D	111-0076	AMR	2011-04-27
E	ELX-1-15893	MP	2013-09-20
-	-	-	-
-	-	-	-

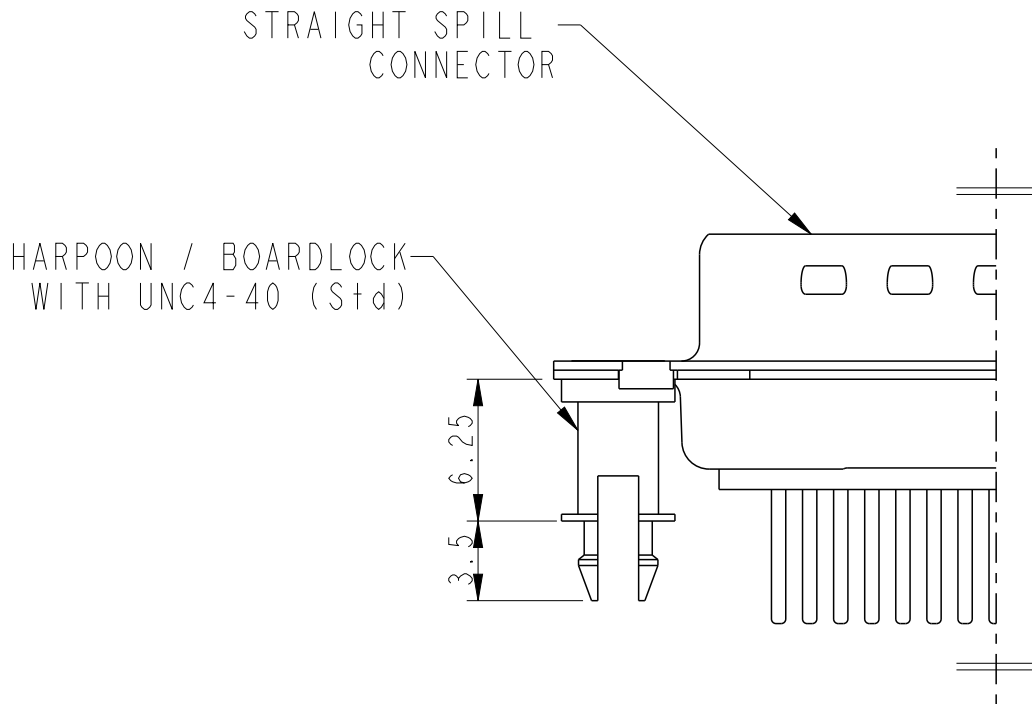
Part Numbers:

863001062  
863001062LF

Copyright FCI.

www.fciconnect.com		surface - <input checked="" type="checkbox"/> ISO 1302	tolerance std ISO 406 ISO 1101	projection 	mm 
		TOLERANCES UNLESS OTHERWISE SPECIFIED			
Dr	ABHILASH	2010-02-22	ANGULAR	0.X	±0.1
Eng	MITHUN PAUL	2013-09-20	LINEAR	0.XX	±0.1
Chr	MITHUN PAUL	2013-09-20	0° ±°	0.XXX	±0.05
Appr	BIJU K PAUL	2013-09-20	Product family	D-SUB	Spec ref -
	title D-SUB ASSEMBLY OPTIONS		dwg no	C-DSUB-0184	
					Rev. E

HARPOON / BOARDLOCK RIVETED TO SHELL



SUFFIX "G"  
 APPLICABLE ONLY FOR STRAIGHT SPILL CONNECTOR

Supercedes C-DSUB-008, C-DSUB-0021 and C4-1433



Copyright FCI.

www.fciconnect.com			surface - ✓ ISO 1302	tolerance std ISO 406 ISO 1101	projection 	mm 		
			TOLERANCES UNLESS OTHERWISE SPECIFIED					
Dr	ABHILASH	2010-02-22	ANGULAR	LINEAR	0.X	±0.1	size A4	Scale 3:1
Eng	MITHUN PAUL	2013-09-20			0.XX	±0.1		
Chr	MITHUN PAUL	2013-09-20			0.XXX	±0.05		
Appr	BIJU K PAUL	2013-09-20	Product family		D-SUB	Spec ref	-	
	title D-SUB ASSEMBLY OPTIONS				dwg no	C-DSUB-0184	Rev. E	