

Excellent Integrated System Limited

Stocking Distributor

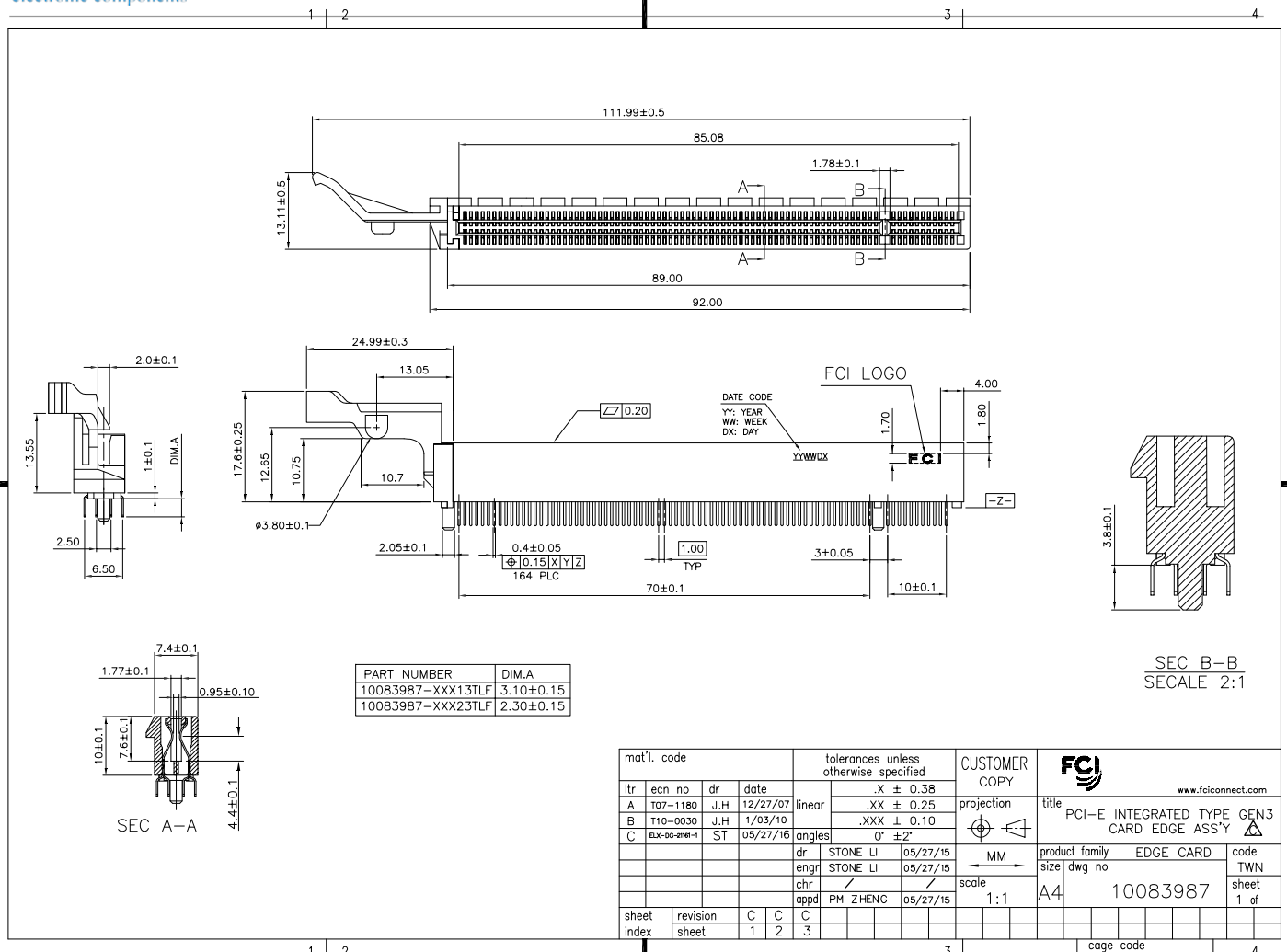
Click to view price, real time Inventory, Delivery & Lifecycle Information:

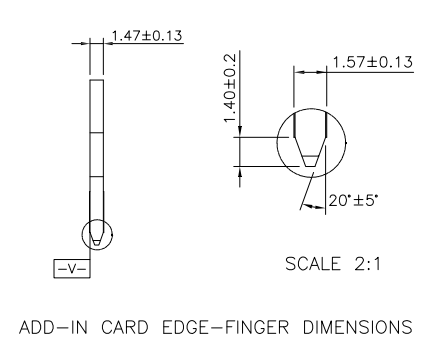
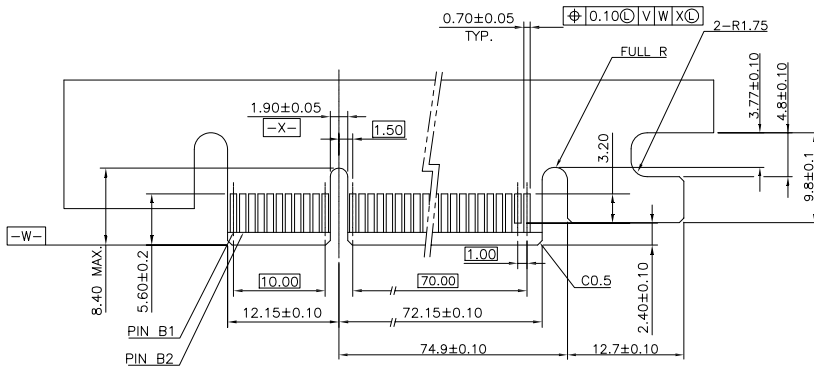
[FCI](#)

[10083987-41223TLF](#)

For any questions, you can email us directly:

sales@integrated-circuit.com

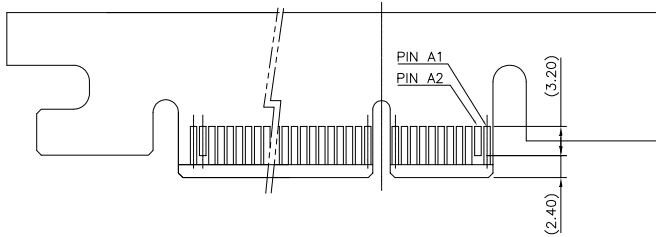




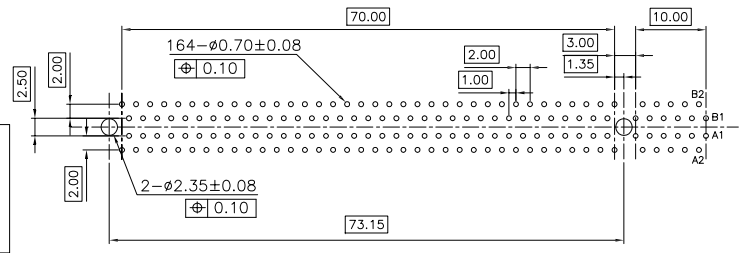
SCALE 2:1

ADD-IN CARD EDGE-FINGER DIMENSIONS

I/O PANEL DIRECTION
PRIMARY (COMPONENT) SIDE



I/O PANEL DIRECTION
SECONDARY (SOLDER) SIDE



RECOMMENDED FOOTPRINT LAYOUT

mat'l. code		tolerances unless otherwise specified		CUSTOMER COPY		FCI		www.fciconnect.com	
ltr	ecn no	dr	date	linear	.X ± 0.38	projection	title	PCI-E INTEGRATED TYPE GEN3 CARD EDGE ASS'Y	
				angles	.XX ± 0.25		product family	EDGE CARD	code
				dr	.XXX ± 0.10		size	dwg no	TWN
				engr	0° ± 2°	MM	A4	10083987	sheet
				chr		scale			2 of
				appd	PM ZHENG	1:1			
sheet	revision								
index	sheet								
								cage code	
								22526	

NOTES:

1. MATERIAL:

HOUSING: THERMOPLASTIC WITH GLASS FIBER, UL94V-0,
 LATCHES: THERMOPLASTIC WITHOUT GLASS FIBER, UL94-HB (PA66).
 CONTACTS: COPPER ALLOY.

2. FINISH:

CONTACTS: GOLD PLATING ON CONTACT AREA,
 60u" MATTE TIN (LEAD FREE OPTION) PLATING ON SOLDERTAILS,
 50u"MIN. NICKEL UNDERPLATING OVER ALL.

3. WARNING: THE MAXIMUM ALLOWABLE ANGLE TO WITHDRAWAL THE DAUGHTER CARD FROM RETAINER BY 25 DEGREE.

4. DURABILITY: 50 CYCLES.

5. RoHS COMPATIBLE PRODUCT SPECIFICATIONS

- a. PLATING: "LF" MEANS THE PRODUCT IS LEAD FREE, 1.5um min. MATTE PURE TIN OVER 1.27um MIN. NICKEL UNDERPLATE.
- b. MANUFACTURING PROCESS COMPATIBILITY: THE HOUSING WILL WITHSTAND EXPOSURE TO 260C±5C SOLDER BATH TEMPERATURE FOR 5 SECONDS IN A WAVE SOLDER APPLICATION WITH A 1.57MM THICK CIRCUIT BOARD.

PRODUCT NUMBER CODE

10083987 -x x x x x x LF

HOUSING COLOR OPTIONS
 1-BLACK FOR BASE & RM
 4-BLUE (297C) FOR BASE & RM

PEGS OPTIONS
 1-PLASTIC POST

TERMINAL PLATING OPTIONS

- 0-50u" Ni UNDERPLATE
- 30u" Au CONTACT AREA
- 100u" TIN TAIL AREA
- 1-50u" Ni UNDERPLATE
- 15u" Au CONTACT AREA
- 100u" TIN TAIL AREA
- 2-50u" Ni UNDERPLATE
- GOLD FLASH CONTACT AREA
- 100u" TIN TAIL AREA

APPLICATIONS

LF- LEAD FREE FOR PLATING OPTIONS 0,1,2

PACKAGING OPTIONS
 T-TRAY PACKAGING

POS OPTIONS
 3-164

TAIL LENGTH OPTION (DIM.A)

- 1- 3.10MM
- 2- 2.30MM

mat'l. code				tolerances unless otherwise specified			CUSTOMER COPY		FCI www.fciconnect.com		
ltr	ecn no	dr	date	linear	.X ± 0.38	projection	MM	title			
					.XX ± 0.25			PCI-E INTEGRATED TYPE GEN3			
					.XXX ± 0.10			CARD EDGE ASS'Y			
				angles	0° ± 2°	scale	1:1	product family		code	
				dr	STONE LI 05/27/15			EDGE CARD			TWN
				enrg	STONF LI 05/27/15			size			
				chr	/			dwg no			
sheet	revision			appd	PM ZHENG 05/27/15	A4		10083987	3 of		
index	sheet										