

Excellent Integrated System Limited

Stocking Distributor

Click to view price, real time Inventory, Delivery & Lifecycle Information:

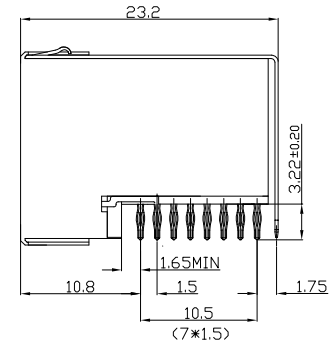
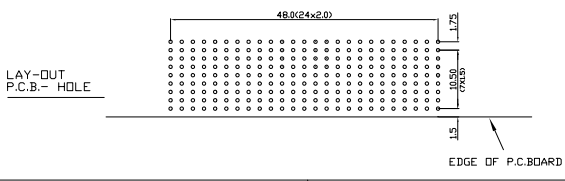
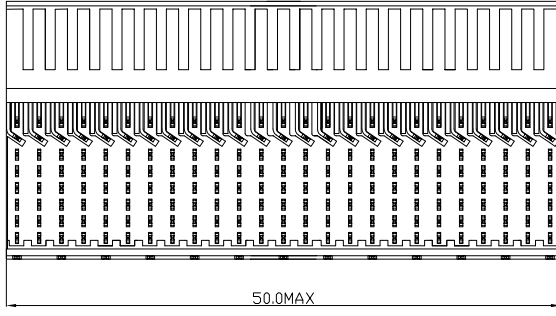
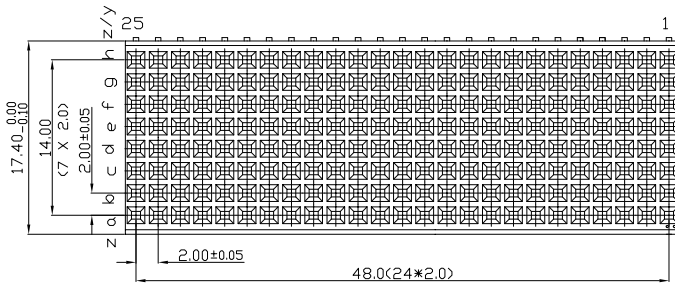
[FCI](#)
[HM2R88PA8108N9JLF](#)

For any questions, you can email us directly:
sales@integrated-circuit.com

Tous droits strictement réservés. Reproduction ou communication à des tiers interdite sous quelque forme que ce soit sans autorisation écrite du Propriétaire. Propriété de c FCI. Droits de reproduction FCI.



All rights strictly reserved. Reproduction or issue to third parties in any form whatever is not permitted without written authority of FCI. Copyright FCI.



PERFORMANCE CHARACTERISTICS
 CURRENT RATING 15A AT 20°C (FULLY LOADED)
 CURRENT RATING 1 A AT 70°C (FULLY LOADED)
 RATED VOLTAGE : 500 V AC (CONT /CONT)
 OPERATING TEMPERATURE : -55°C TO 125°C
 CONTACT RESISTANCE 20 MΩ MAX
 INSERTION FORCE : 0.75N MAX/CONT
 EXTRACTION FORCE : 0.15N MIN/CONT
 INSULATION RESISTANCE : 10⁴ MΩ MIN

- NOTES 1: LEAD FREE INDICATOR (LF=LEAD FREE)
 PERFORMANCE LEVEL INDICATOR (REF DWG NINECS-0084480)
 2. THIS PRODUCT IS CSA APPROVED. THIS PRODUCT IS UL RECOGNIZED.
 3. FOR RECOMMENDED PTH DIMENSIONS REFER DRAWING : BSA201572.001
 4. THIS PRODUCT (LF) MEETS EUROPEAN UNION DIRECTIVES AND OTHER COUNTRY REGULATIONS AS DESCRIBED IN GS-22-008

www.fciconnect.com		tolerance 1DEC +0.2 1DEC 2DEC +0.1 2DEC ANGLES A1° HOEKEN	projection 	size A4 Scale 3/1 ← MM
Dr	N.O.T.T.D	16-06-99	Product family	MILLIPICS
Eng			Spec ref	
Chr			Material	
Appr			ECN	
rev	ecn no	dr	date	
A	CONVERSION	KN	14-09-01	
B	0605-0278	Kason	10-10-05	
C	0607-0362	Kason	05-09-07	
D	0610-0110	NZ	10-13-10	
MPACS 8+2R RA RCP CONN TYPE E/ UPPER SHIELDED				Rev. D
catalog no	HM2R88PA8108----	CUSTOMER	sheet 1 of 1	