

## Excellent Integrated System Limited

Stocking Distributor

Click to view price, real time Inventory, Delivery & Lifecycle Information:

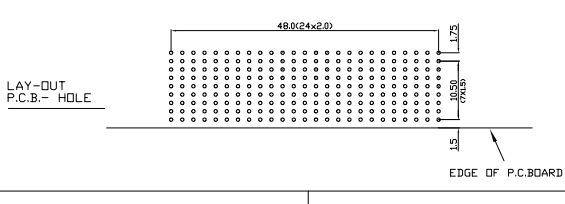
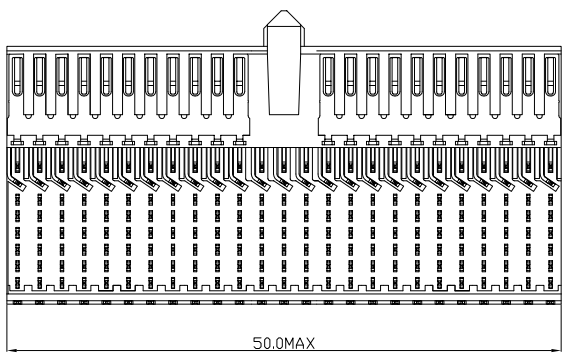
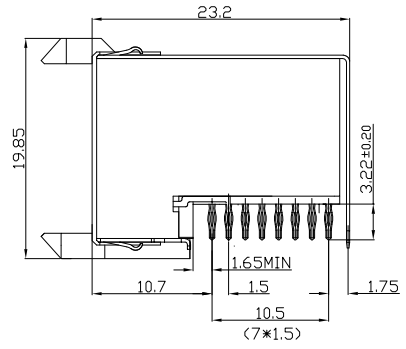
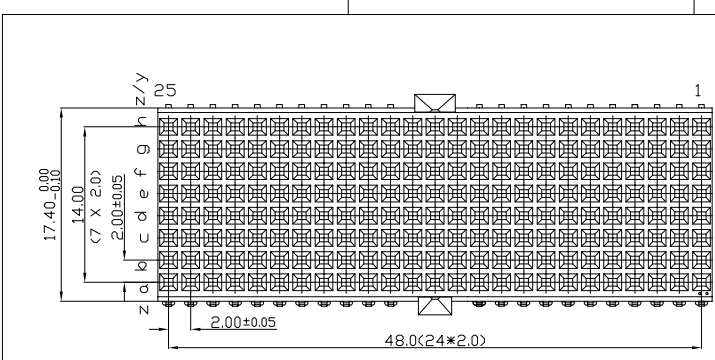
[FCI](#)  
[HM2R95PA8101N9LF](#)

For any questions, you can email us directly:  
[sales@integrated-circuit.com](mailto:sales@integrated-circuit.com)

Tous droits strictement réservés. Reproduction ou communication, en tout ou en partie, sous quelque forme que ce soit sans autorisation écrite du propriétaire. Propriété de c FCI. Droits de reproduction FCI.



All rights strictly reserved. Reproduction or issue to third parties in any form whatever is not permitted without the authority from the proprietor. Property of FCI. Copyright FCI.



**PERFORMANCE CHARACTERISTICS**  
 CURRENT RATING 1.5A AT 20°C (FULLY LOADED)  
 1 A AT 70°C (FULLY LOADED)  
 RATED VOLTAGE : 500 V AC (CONT /CONT)  
 OPERATING TEMPERATURE : -55°C TO 125°C  
 CONTACT RESISTANCE 20 MΩ MAX  
 INSERTION FORCE : 0.75N MAX/CONT  
 EXTRACTION FORCE : 0.15N MIN/CONT  
 INSULATION RESISTANCE : 10<sup>4</sup> MΩ MIN

- NOTES 1' LEAD FREE INDICATOR LF=LEAD FREE  
 PERFORMANCE LEVEL INDICATOR REF DWG NO:ISS 23884-005  
 2. THIS PRODUCT IS CSA APPROVED. THIS PRODUCT IS UL RECOGNIZED.  
 3. FOR RECOMMENDED PTH DIMENSIONS REFER DRAWING : BSA201572.001  
 4. THIS PRODUCT (LF) MEETS EUROPEAN UNION DIRECTIVES AND OTHER COUNTRY REGULATIONS AS DESCRIBED IN GS-22-008

rev	ecn no	dr	date
A	CONVERSION REVISION 01	KN	14-09-01
B	DG05-0278	MINI	02-08-05
C	DG07-0362	Kasori	05-09-07
D	DG10-0110	NZ	08-09-10

Dr	M.Fret	06-11-00	Product family	MILLIPICS	tolerance 1DEC #2 1DEC 2DEC #11 2DEC ANGLES #1 HOEKEN	projection	MM
	Eng		Spec ref		size	A4	Scale 3/1
Chr			Material		ECN		
Appr							
FCI	MPACS 8+2R RA RCP CONN TYPE DE/ SHIELDED			dbg no	BS,C ,202260,023	Rev.	D
catalog no	HM2R95PA8101----			CUSTOMER	sheet 1 of 1		