

## Excellent Integrated System Limited

Stocking Distributor

Click to view price, real time Inventory, Delivery & Lifecycle Information:

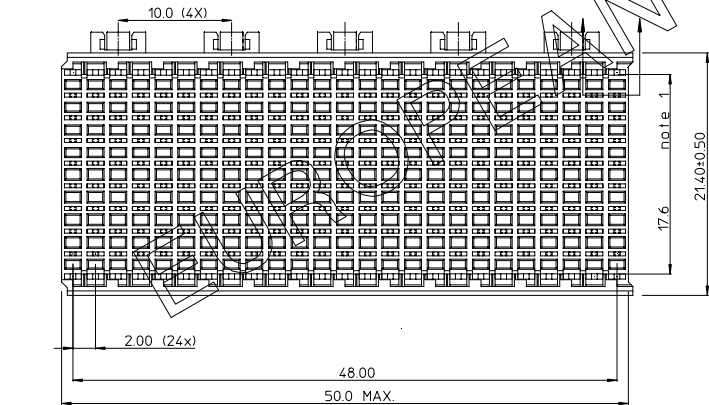
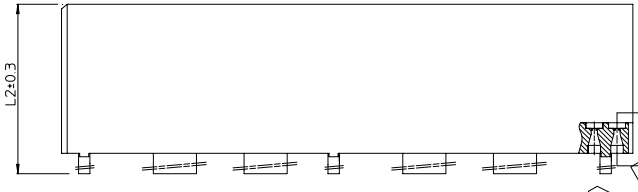
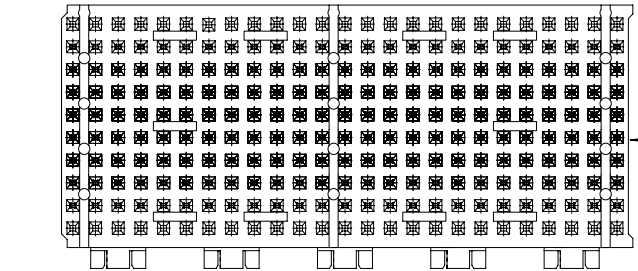
[FCI](#)

[HM2H81P115LF](#)

For any questions, you can email us directly:

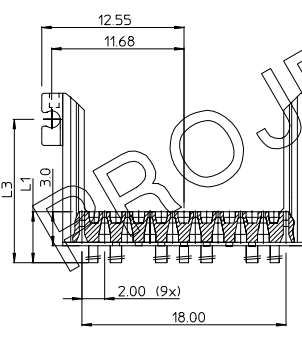
[sales@integrated-circuit.com](mailto:sales@integrated-circuit.com)

BS,C_202311,015	1	GEN. ST.	01	02	03	04	05	06	07	08	0D	50	60	70	80	90	REV.	DATE	DESCRIPTION	BY	C 'K' D'												
		INT. ST.	10	11	12	13	14	18	20	31	32	33	34	38	39	40	42	43	44	45	46	48	56	70	72	73	76	81	82	88	A	2012-10-20	112-0057



- NOTES:
1. MEASURED AT THE BOTTOM
  2. MATERIAL: GLASSREINFORCED POLYESTER UL94 - V0
  3. THIS PRODUCT MEETS EUROPEAN UNION DIRECTIVES AND OTHER COUNTRY REGULATIONS AS DESCRIBED IN BS-47-0004.
  4. PARTS WITH AND WITHOUT SUFFIX LF TO THE PRODUCT PART NUMBER ARE IDENTICAL IN FORM, FIT AND FUNCTION. LF SUFFIX IS ADDED TO THE PART NUMBER OF THIS PRODUCT TO HAVE UNIFORM IDENTIFICATION OF ALL RoHS COMPATIBLE PRODUCTS.

ABRIDGED CAT No MARKED



RoHS COMPATIBLE (DIGIT 11 & 12)

STANDOFF HEIGHT INDICATOR

PART NUMBER	L1	L2	L3
HM2H81P11F	3.0	13.45	11.15
HM2H81P109LF	3.9	14.35	12.05
HM2H81P111LF	4.1	14.55	12.25
HM2H81P115LF	4.5	14.95	12.65
HM2H81P117LF	4.7	15.15	12.85
HM2H81P119LF	4.9	15.35	13.05
HM2H81P122LF	5.2	15.65	13.35
HM2H81P130LF	6.0	16.45	14.15

1DEC ±0.2 2DEC ±0.1 ANGLES ±1°	APPR.	DATE	SIGN.	MPACS 8+2R SHROUD TYPE E WITH LOCKING CAT. No. HM2H81P1--LF	SCALE 3 / 1
	DRAFT	2012-10-20	AKA		
WE RESERVE THE RIGHT TO CHANGE DIMENSIONS OR REQUIREMENTS WITHOUT PRIOR NOTICE.	CHECKED	2012-10-20	AB	www.fciconnect.com	A
	PROD. MGR	2012-10-20	AB		
ALL DIMENSIONS IN MM	PR. ENG. MGR	2012-10-20	BKP	REFERENCES	DRAWING No. BS,C_202311,015
	PR. MGT. MGR				
				STATUS: Released	REVISION

THIS IS OUR EXCLUSIVE PROPERTY. IT IS NOT TO BE COPIED, REPRINTED OR DISCLOSED TO A THIRD PARTY. FOR USE FOR MANUFACTURING WITHOUT OUR WRITTEN CONSENT, AND HAS TO BE RETURNED TO US IN CASE OF NO USAGE.

DIT IS ONZE EIGENDOM EN MAG NIET WAGENMAKT, HERDRIKT, OVERGEMAKT AM ANDEREN, NIET NIET FABRIKATIE GEBRUIKT WORDEN, ZONDER ONZE SCHRIFTELIJKE TOELATING. BIJ NIET GEBRUIK IS TERUGZENDING VERPLICHT.

PDS: Rev. A

STATUS: Released

Printed: Dec 13, 2014