

## Excellent Integrated System Limited

Stocking Distributor

Click to view price, real time Inventory, Delivery & Lifecycle Information:

[FCI](#)

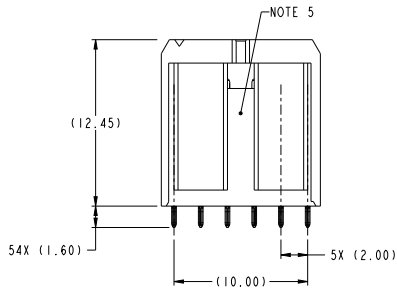
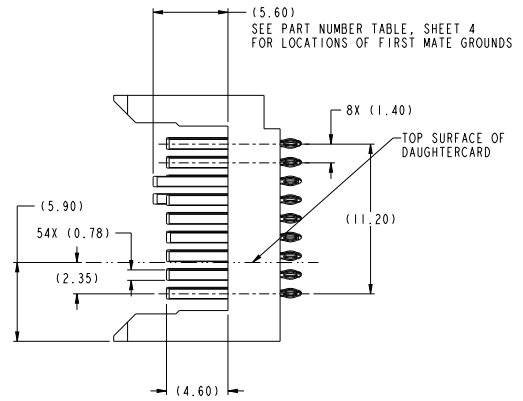
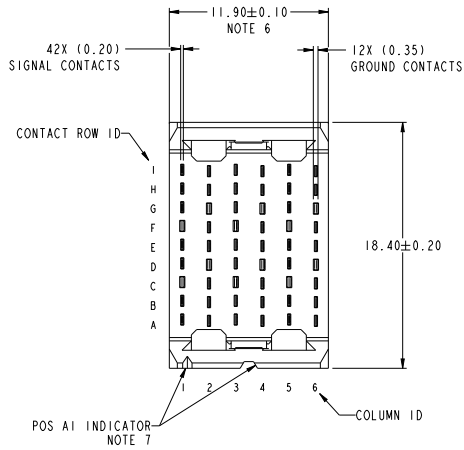
[10122769-1021LF](#)

For any questions, you can email us directly:

[sales@integrated-circuit.com](mailto:sales@integrated-circuit.com)

Product number

SEE TABLE, SHT 4



spec. ref.	-	dr.	isside Rev	0000001	projection	MM	size	A2	scale	5:1
tolerance std	ASME Y14.5	eng	isside Rev	0000001	product family	AIRMAX VS	rel. level	Released	rev	B
surface	linear	0.1	±0.3	FCI	AIRMAX VS2 VERTICAL HEADER		part no.	10122769	sheet	1 of 4
		0.2X	±0.10	www.fci.com	3 PAIR 54 POS 2MM 6 COL		Product	Customer Draw		
ASME Y14.5	angular	0°	±2°							

PDS: Rev: B

STATUS: Released

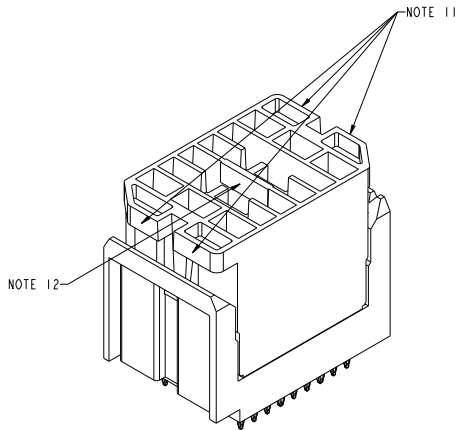
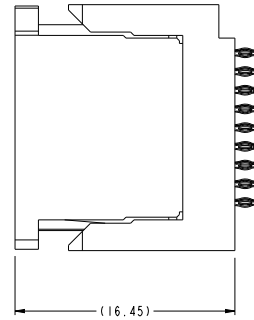
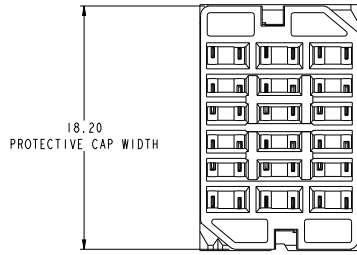
Printed: Oct 24, 2014

2

3

4

5



VIEWS SHOWN WITH  
PROTECTIVE COVER INSTALLED  
▲10122769-101LF

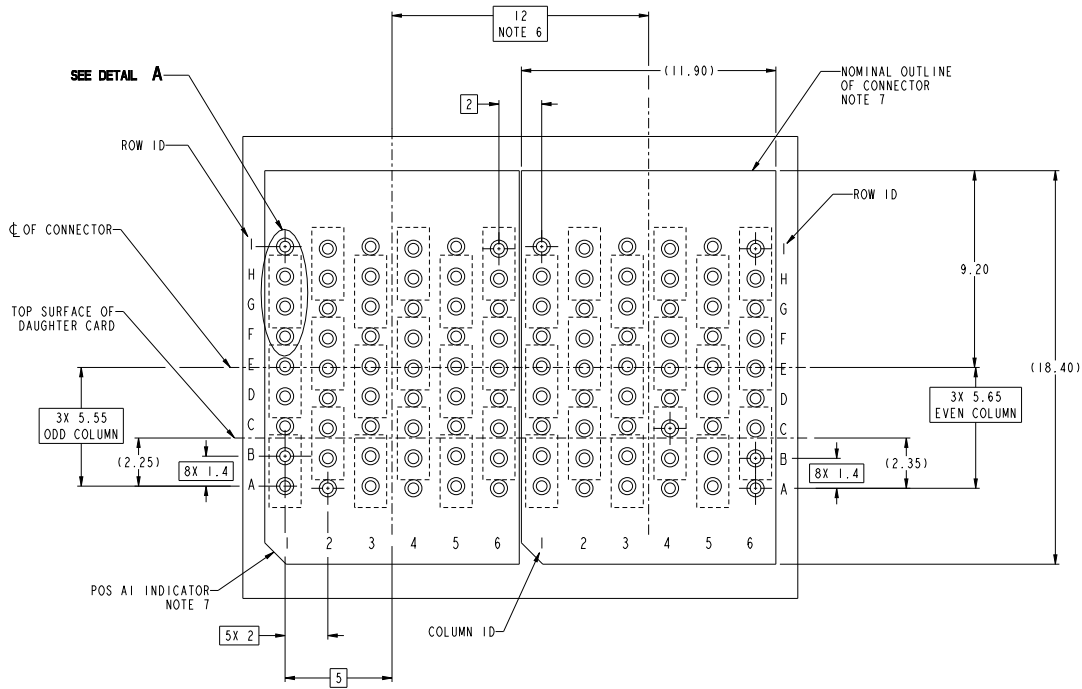
spec. ref.	-	dr.	isside Rev	0000010	projection	MM	size	A2	scale	5:1
tolerance std	ASME Y14.5	eng	isside Rev	0000010	product family	AIRMAX VS	rel. level	Released		
TOLERANCES UNLESS OTHERWISE SPECIFIED		chr	isside Rev	0000010						
surface	linear	0.1	±0.3		AIRMAX VS2 VERTICAL HEADER		part no.	10122769	rev	B
		0.2X	±0.10		3 PAIR 54 POS 2MM 6 COL					
ASME Y14.5	angular	0.25X	±0.050							
		0°	±2°	www.fci.com	cat. no.	-	Product	Customer Draw	sheet 2 of 4	

PDS: Rev : B

STATUS: Released

Printed: Oct 24, 2014

Copyright FCI



RECOMMENDED PCB LAYOUT  
FOR DIFFERENTIAL APPLICATIONS,  
COMPONENT SIDE  
(TWO ADJACENT FOOTPRINTS SHOWN)  
NOTES 6, AND 8

spec. ref.	dr.	projection	MM	size	A2	scale	3:1
tolerance std	eng	chr	appr	product family	AIRMAX VS	rel. level	Released
ASME Y14.5	TOLERANCES UNLESS OTHERWISE SPECIFIED			FCI AIRMAX VS2 VERTICAL HEADER 3 PAIR 54 POS 2MM 6 COL			
surface	linear	0.1	±0.3	0.2X	±0.10	0.25X	±0.050
ASME Y14.5	angular	°	±2	www.fci.com cat. no.			

PDS: Rev :B

STATUS: Released

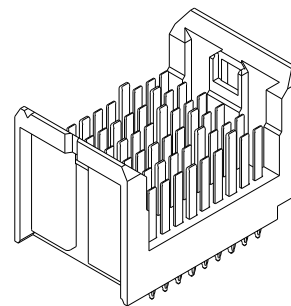
Printed: Oct 24, 2014

Copyright FCI

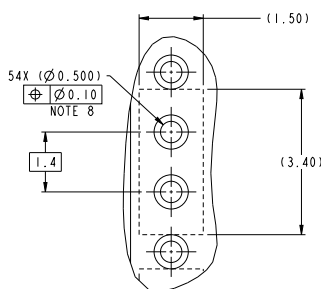
PART NUMBER	PRESS-FIT TAIL PLATING TYPE	PROTECTIVE COVER	FIRST MATE PIN LOCATIONS (5.6mm)	REMARKS
△V0122769-101LF	TIN OVER NICKEL (LEAD FREE)	YES	F1, F3, F5, G2, G4, G6	△2-SIDED PLATING

NOTES:

1. CONNECTOR MATERIALS:  
HOUSING: HIGH TEMP THERMOPLASTIC, BLACK, UL94V-0  
CONTACT: COPPER ALLOY
2. CONTACT PLATING:  
SEPARABLE INTERFACE: PERFORMANCE-BASED PLATING, QUALIFIED TO MEET THE REQUIREMENTS OF FCI PRODUCT SPECIFICATION GS-12-239 INCLUDING TELCORDIA GR-1217-CORE (NOVEMBER 1995) CENTRAL OFFICE TEST SEQUENCE PRESS-FIT TAILS: SEE TABLE
3. PRODUCT SPECIFICATION: GS-12-239.
4. APPLICATION SPECIFICATION: GS-20-035.
- ⑤ PRODUCT MARKING, (PROTOTYPE, PART NUMBER & LOT CODE), ON THIS SURFACE.
- ⑥ THE MINIMUM CENTERLINE SPACING BETWEEN ADJACENT MODULES IS 12.0 mm.
- ⑦ CONNECTOR OUTLINE WITH HOUSING POS A1 INDICATOR MAY BE SCREEN PRINTED ONTO CUSTOMER PCB TO BE USED AS A GUIDE FOR MANUAL CONNECTOR PLACEMENT.
- ⑧ REFER TO CUSTOMER DRAWING 10104444 FOR INFORMATION ON PCB HOLE DIAMETERS AND PLATING OPTIONS.
9. THIS PRODUCT MEETS EUROPEAN UNION DIRECTIVES AND OTHER COUNTRY REGULATIONS AS DESCRIBED IN GS-22-008.
10. PACKAGING MEETS GS-14-920 LEAD FREE LABELING SPECIFICATION.
- ⑪ FOR REMOVAL OF THE PROTECTIVE CAP BY HAND GRIP THESE SURFACES.
- ⑫ FOR REMOVAL OF THE PROTECTIVE CAP WITH PLIERS GRIP USING THIS FEATURE.
13. A △ SYMBOL WILL BE NEXT TO ANY DIMENSION, VIEW, OR NOTE THAT HAS BEEN MODIFIED WITH THE CURRENT DRAWING REVISION.



10122769-101LF



DETAIL A  
SCALE 16:1

spec. ref.	-	dr.	David Sun	designed	projection	MM	size	A2	scale	5:1
tolerance std	ASME Y14.5	eng	John Chen	checked	①	←	acc no		rel level	Released
TOLERANCES UNLESS OTHERWISE SPECIFIED		chr		approved	product family	AIRMAX VS				
surface	linear	0.1	±0.3	0.2X	±0.10	0.25X	±0.050	AIRMAX VS2 VERTICAL HEADER 3 PAIR 54 POS 2MM 6 COL		10122769
ASME Y14.5	angular	0°	±2°	www.fci.com cat. no.		Product	Customer Draw	sheet 4 of 4	rev	B

PDS: Rev: B

STATUS: Released

Printed: Oct 24, 2014

Product - 10122769

2

3

4

5