

Excellent Integrated System Limited

Stocking Distributor

Click to view price, real time Inventory, Delivery & Lifecycle Information:

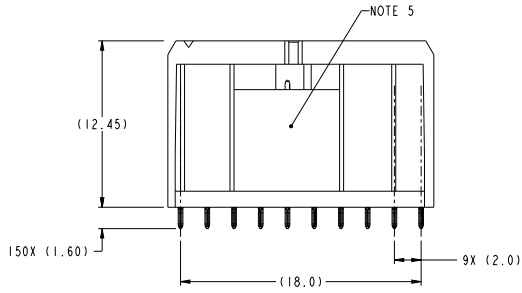
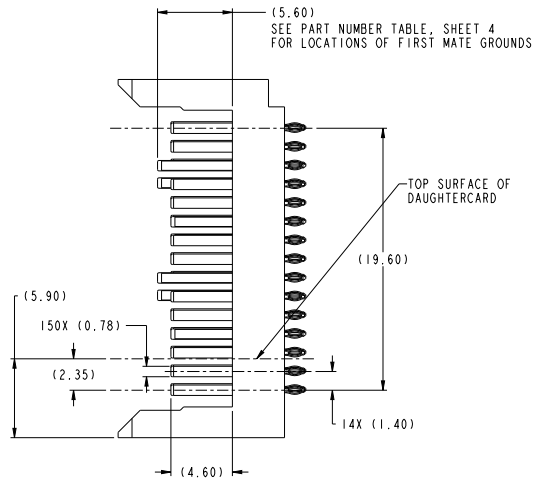
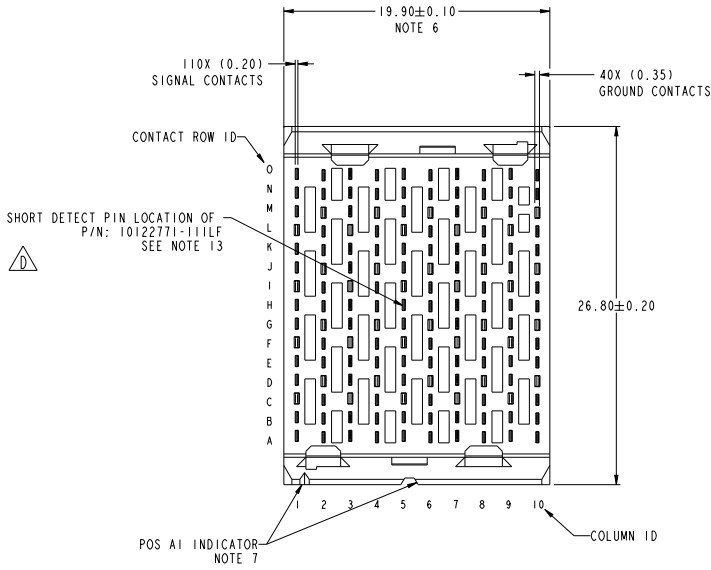
[FCI](#)

[10122771-1021LF](#)

For any questions, you can email us directly:

sales@integrated-circuit.com

Product number
SEE TABLE, SHT 4



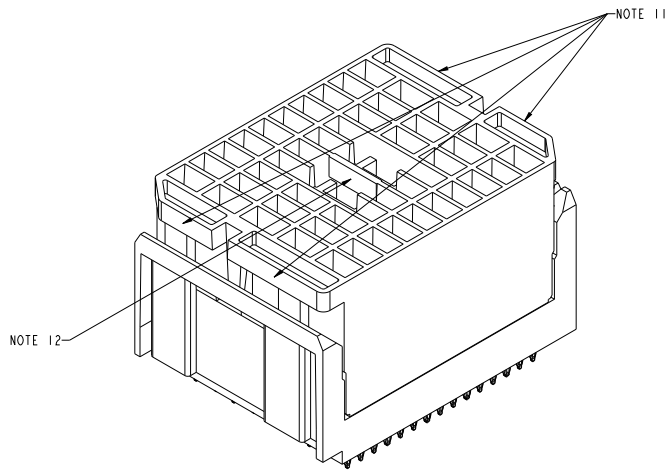
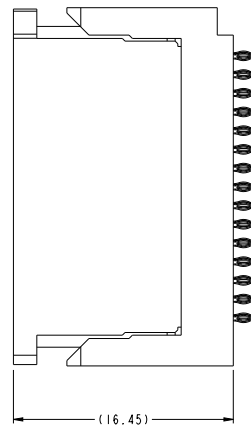
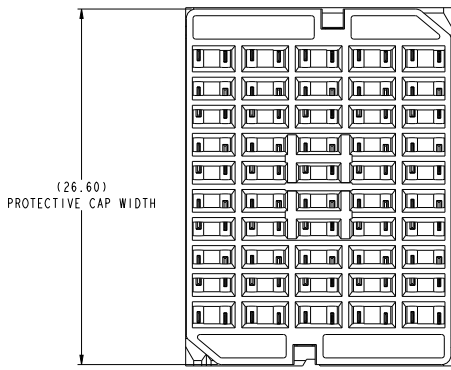
spec. ref.	-	dr.	David Sun	designed	projection	MM	size	A2	scale	5:1
tolerance std	ASME Y14.5	eng.	Yan Chen	checked	product family	AIRMAX VS	rel. level	Released	rev	D
surface	linear	0.1	±0.3	FCI	AIRMAX VS2 VERTICAL HEADER		part no.	10122771	www.fci.com	cat. no.
	angular	0.2X	±0.10		5 PAIR 150 POS 2MM 10 COL		Product	Customer Draw	sheet 1 of 4	
		0.2X	±0.050							

PDS: Rev:D

STATUS: Released

Printed: Apr 28, 2015

Copyright FCI



VIEWS SHOWN WITH
PROTECTIVE COVER INSTALLED
10122771-101LF

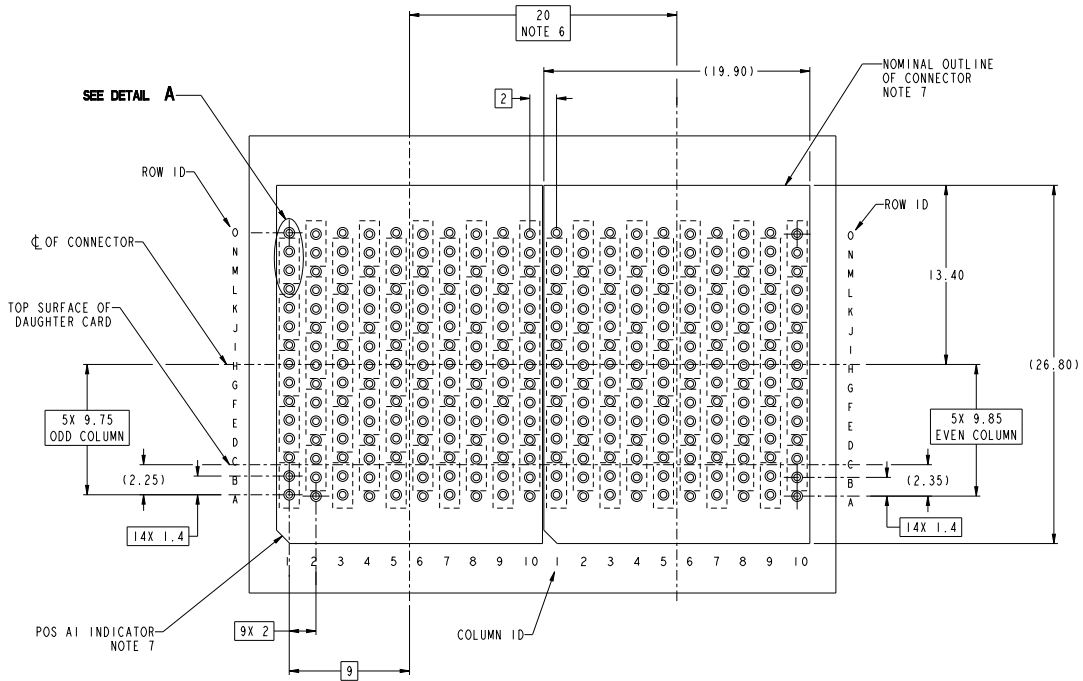
Copyright FCI

spec. ref.	-	dr.	David Sun	designed by	DAVID SUN	projection	MM	size	A2	scale	5:1
tolerance std	ASME Y14.5	eng	David Sun	checked by	DAVID SUN	product family	AIRMAX VS	acc. no.	10122771	rel. level	Released
	TOLERANCES UNLESS OTHERWISE SPECIFIED	appr	David Lu	approved by	DAVID LU						
surface	linear	0.1	±0.3	0.2X	±0.10	AIRMAX VS2 VERTICAL HEADER 5 PAIR 150 POS 2MM 10 COL		deg		rev	D
ASME Y14.5	angular	0°	±2°	0.25X	±0.050			www.fci.com	cat. no.	Product	Customer Draw

PDS: Rev:D

STATUS: Released

Printed: Apr 28, 2015



RECOMMENDED PCB LAYOUT
FOR DIFFERENTIAL APPLICATIONS,
COMPONENT SIDE
(TWO ADJACENT FOOTPRINTS SHOWN)
NOTES 6, AND 8

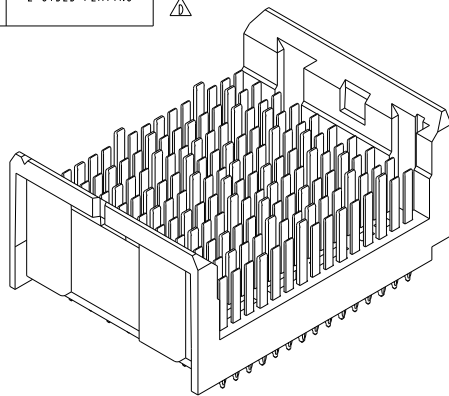
spec. ref.	-	dr.	David Sun	designed by	DAVID SUN	projection	MM	size	A2	scale	3:1
tolerance std	ASME Y14.5	eng	DAVID SUN	checked by	DAVID SUN	product family	AIRMAX VS	acc. no.	10122771	rel. level	Released
surface	linear	0.1	±0.3	0.2X	±0.10	AIRMAX VS2 VERTICAL HEADER 5 PAIR 150 POS 2MM 10 COL		rev	D		
ASME Y14.5	angular	0.2X	±0.050	0°	±2°			www.fci.com	cat. no.	Product - Customer Draw	sheet 3 of 4

PDS: Rev :D

STATUS: Released

Printed: Apr 28, 2015

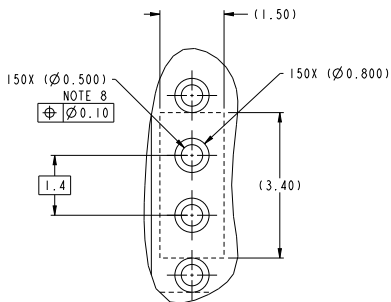
PART NUMBER	PRESS-FIT TAIL PLATING TYPE	PROTECTIVE COVER	FIRST MATE PIN LOCATIONS (5.6mm)	SHORT DETECT PIN LOCATION	REMARKS
10122771-101LF	TIN OVER NICKEL (LEAD FREE)	YES	F1, F3, F5, F7, F9, G2, G4, G6, G8, G10, L1, L3, L5, L7, L9, M2, M4, M6, M8, M10	NA	2-SIDED PLATING
10122771-111LF	TIN OVER NICKEL (LEAD FREE)	YES	F1, F3, F5, F7, F9, G2, G4, G6, G8, G10, L1, L3, L5, L7, L9, M2, M4, M6, M8, M10	H5 (SEE NOTE 13)	2-SIDED PLATING



10122771-101LF
(WITHOUT PROTECTIVE COVER)

NOTES:

- CONNECTOR MATERIALS:
HOUSING: HIGH TEMP THERMOPLASTIC, BLACK, UL94V-0
CONTACT: COPPER ALLOY
- CONTACT PLATING:
SEPARABLE INTERFACE: PERFORMANCE-BASED PLATING, QUALIFIED TO MEET THE REQUIREMENTS OF FCI PRODUCT SPECIFICATION GS-12-239 INCLUDING TELCORDIA GR-1217-CORE (NOVEMBER 1995) CENTRAL OFFICE TEST SEQUENCE PRESS-FIT TAILS: SEE TABLE
- PRODUCT SPECIFICATION: GS-12-239.
- APPLICATION SPECIFICATION: GS-20-035.
- PRODUCT MARKING, (PROTOTYPE, PART NUMBER & LOT CODE), ON THIS SURFACE.
- THE MINIMUM CENTERLINE SPACING BETWEEN ADJACENT MODULES IS 20.0 mm.
- CONNECTOR OUTLINE WITH HOUSING POS A1 INDICATOR MAY BE SCREEN PRINTED ONTO CUSTOMER PCB TO BE USED AS A GUIDE FOR MANUAL CONNECTOR PLACEMENT.
- REFER TO CUSTOMER DRAWING 10045979 FOR INFORMATION ON PCB HOLE DIAMETERS AND PLATING OPTIONS.
- THIS PRODUCT MEETS EUROPEAN UNION DIRECTIVES AND OTHER COUNTRY REGULATIONS AS DESCRIBED IN GS-22-008.
- PACKAGING MEETS GS-14-920 LEAD FREE LABELING SPECIFICATION.
- FOR REMOVAL OF THE PROTECTIVE CAP BY HAND GRIP USING THESE SURFACES.
- FOR REMOVAL OF THE PROTECTIVE CAP WITH PLIERS GRIP USING THIS FEATURE.
- SHORT DETECT PIN IS 0.50mm LESS WIPE NOMINAL THAN THE SHORTEST PIN.
- A SYMBOL WILL BE NEXT TO ANY DIMENSION, VIEW, OR NOTE THAT HAS BEEN MODIFIED WITH THE CURRENT DRAWING REVISION.



DETAIL A
SCALE 16:1

spec. ref.	-	dr.	initial Rev	date	projection	MM	size	A2	scale	5:1
tolerance std	ASME Y14.5	eng	initial Rev	date	product family	AIRMAX VS	rel level	Released	rev	D
surface	linear	0.1	±0.3	0.2X	±0.10	0.2X	±0.050	AIRMAX VS2 VERTICAL HEADER 5 PAIR 150 POS 2MM 10 COL		
ASME Y14.5	angular	0°	±2°	www.fci.com cat. no.		Product - Customer Draw		sheet 4 of 4		

PDS: Rev :D STATUS: Released Printed: Apr 28, 2015

Copyright FCI