

Excellent Integrated System Limited

Stocking Distributor

Click to view price, real time Inventory, Delivery & Lifecycle Information:

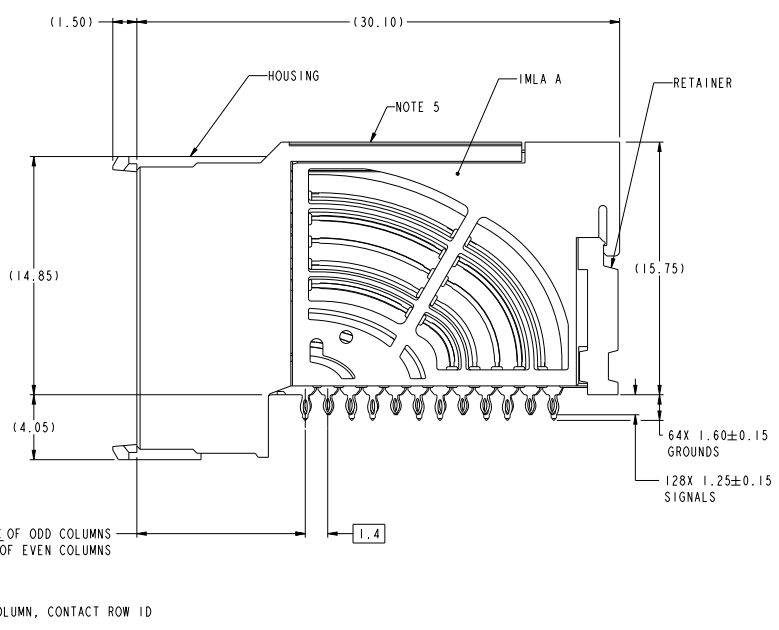
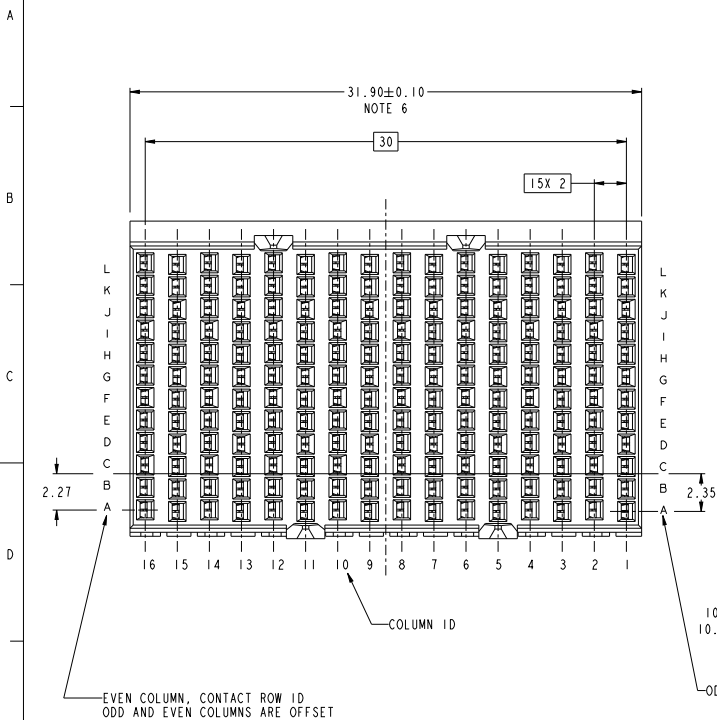
[FCI](#)

[10115912-101LF](#)

For any questions, you can email us directly:

sales@integrated-circuit.com

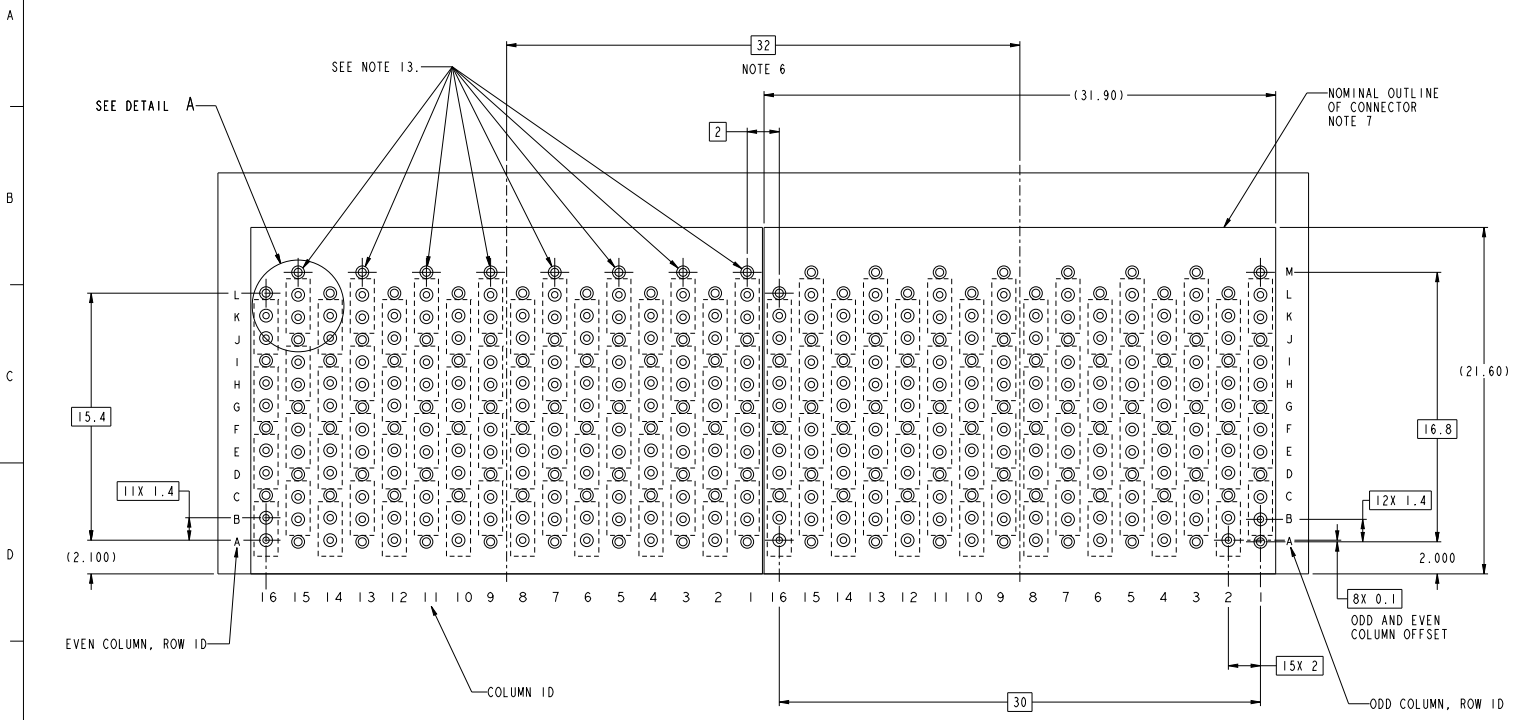
PRODUCT NUMBER
SEE SHEET 3



Copyright FCI

spec ref	---	dr	2/20/2013	projection	MM	size	A2	scale	1:1
tolerance std	ASME Y14.5M	eng	Yan Chen	product family	AirMax VSE	rel level	Released	part no	10115912
TOLERANCES UNLESS OTHERWISE SPECIFIED		chr		www.fcil.com	AIRMAX VSe R.A. RECEPTACLE ASS'Y, 4 PAIR, 192 POS, 16 IMLA, 32MM SPECIAL		rev	B	
surface	linear	0.X	±.3	www.fcil.com	Product - Customer Draw		sheet 1 of 3		
	angular	0°	±°						

PDS: Rev:B STATUS: Released Printed: Sep 11, 2013



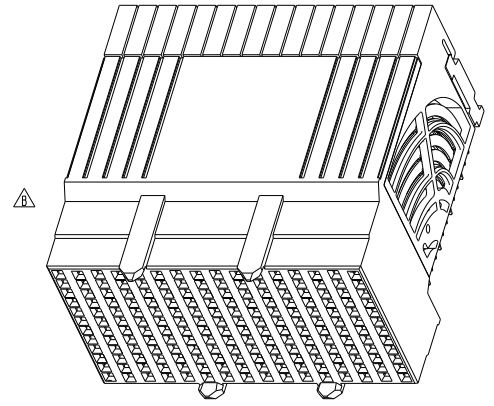
RECOMMENDED PCB LAYOUT
FOR DIFFERENTIAL APPLICATIONS
COMPONENT SIDE
(TWO ADJACENT FOOTPRINTS SHOWN)
NOTES 6, 8, & 12

spec ref	---	dr	2/20/2010	projection	MM	size	A2	scale	1:1
tolerance std	ASME Y14.5M	eng	2/20/2010	product family	AirMax VSE	acc no	10115912	rel level	Released
TOLERANCES UNLESS OTHERWISE SPECIFIED		chr	2/20/2010	product	AIRMAX VSe R.A. RECEPTACLE ASS'Y, 4 PAIR, 192 POS, 16 IMLA, 32MM SPECIAL	rev	B		
surface	linear	0.1	±.3	www.fci.com		Product - Customer Draw		sheet 2 of 3	
	angular	0°	±	PDS: Rev: B		STATUS: Released		Printed: Sep 11, 2013	

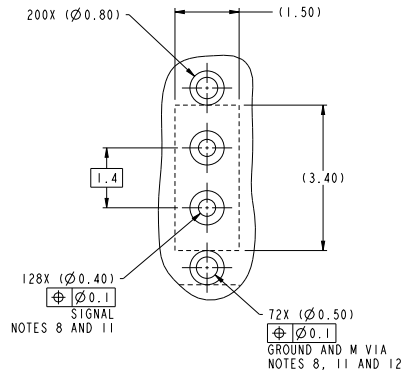
Copyright FCI

PRODUCT NUMBER	PRESS-FIT TAIL PLATING TYPE
10115912-101	TIN/LEAD ALLOY OVER NICKEL
10115912-101LF	TIN OVER NICKEL (LEAD FREE)

- 1 - CONNECTOR MATERIALS:
HOUSING: HIGH TEMP THERMOPLASTIC, NATURAL, UL94-V0
IMLA PLASTIC: HIGH TEMP THERMOPLASTIC, BLACK, UL94-V0
CONTACT: COPPER ALLOY
ORGANIZER: HIGH TEMP THERMOPLASTIC, WHITE, UL94-V0
- 2 - CONTACT PLATING:
SEPARABLE INTERFACE:
PERFORMANCE-BASED PLATING, QUALIFIED TO MEET THE REQUIREMENTS OF FCI PRODUCT SPECIFICATION GS-12-0956 INCLUDING TELCORDIA GR-1217-CORE (NOVEMBER 1995) CENTRAL OFFICE TEST SEQUENCE
PRESS-FIT TAILS: SEE TABLE
- 3 - PRODUCT SPECIFICATION: GS-12-0956
- 4 - APPLICATION SPECIFICATION: GS-20-0305.
- 5 - PRODUCT MARKING, (PROTOTYPE, PART NUMBER & LOT CODE), ON THIS SURFACE.
- 6 - THE MINIMUM CENTERLINE SPACING BETWEEN ADJACENT MODULES IS 32.0 MM.
- 7 - CONNECTOR OUTLINE MAY BE SCREEN PRINTED ONTO CUSTOMER PCB TO BE USED AS A GUIDE FOR MANUAL CONNECTOR PLACEMENT.
- 8 - REFER TO CUSTOMER DRAWING 10104444 FOR INFORMATION ON PCB HOLE DIAMETERS AND PLATING OPTIONS
- 9 - LEAD FREE PRODUCT MEETS THE EUROPEAN UNION DIRECTIVES & OTHER COUNTRY REGULATIONS AS DESCRIBED IN GS-22-008
- 10 - PACKAGING MEETS GS-14-920 LEAD FREE LABELING SPECIFICATION.
- 11 - GROUND CONTACTS (C, F, I AND L IN EVEN COLUMNS AND A, D, G AND J, ODD COLUMNS) REQUIRE (Ø 0.500) FINISHED HOLES. SIGNAL LOCATIONS REQUIRE (Ø 0.400) FINISHED HOLES.
- 12 - THESE OUTER VIAS (M) ARE OPTIONAL. WHILE NO CONNECTOR EONS ARE PRESSED INTO THESE HOLES, WE RECOMMEND (Ø 0.500) FINISHED HOLES AT THESE LOCATIONS TO PROVIDE GROUND SYMMETRY THROUGH THE PCB.



10115912-101 OR -101LF
SCALE 4:1



DETAIL A
SCALE 16:1

spec ref	---	dr	2/20/2010	projection	MM	size	A2	scale	4:1
tolerance std	ASME Y14.5M	eng	10/20/09	1st angle		acc no		rel level	Released
TOLERANCES UNLESS OTHERWISE SPECIFIED		chr	10/20/09	product family		rev			
surface	linear	0.1	±.3	FCI	AIRMAX VSe R.A. RECEPTACLE ASS'Y, 4 PAIR, 192 POS, 16 IMLA, 32MM SPECIAL	10115912			B
	linear	0.2X	±.10	www.fci.com	Product - Customer Draw				
	angular	Ø	±						

PDS: Rev:B

STATUS: Released

Printed: Sep 11, 2013

Copyright FCI.