

Excellent Integrated System Limited

Stocking Distributor

Click to view price, real time Inventory, Delivery & Lifecycle Information:

[FCI](#)
[HFW4R-1STAE1HLF](#)

For any questions, you can email us directly:
sales@integrated-circuit.com

List of "HFW__R-1/2STAE1HLF" customer document

DOCUMENT NO.	LIST
10096547(sheet1)	DOCUMENT LIST
10096547(sheet2)	CAT. NO. TABLE FOR 1mm SPACING SMT CONNECTOR (HFW__R-1/2STA_HLF)
10096547(sheet3)	1mm SPACING SURFACE MOUNT FPC CONNECTOR (HFW__R-1STA_HLF)
10096547(sheet4)	1mm SPACING SURFACE MOUNT FPC CONNECTOR (HFW__R-2STA_HLF)
10096547(sheet5)	CAT. NO. TABLE FOR PLASTIC TAPE PACKAGED 1mm SPACING SMT CONNECTOR (HFW__R-1/2STAE1HLF)
10096547(sheet6)	1mm SPACING SMT CONNECTOR (HFW__R-1STAE1HLF)
10096547(sheet7)	1mm SPACING SMT CONNECTOR (HFW__R-2STAE1HLF)
10096547(sheet8)	RECOMMENDED CABLE (FPC) (HFW__R-1/2STA)
GS-12-598	PRODUCT SPEC.
BJM-HFWR101	HANDLING PROCEDURES



FCIconnect.com

Copyright FCI.

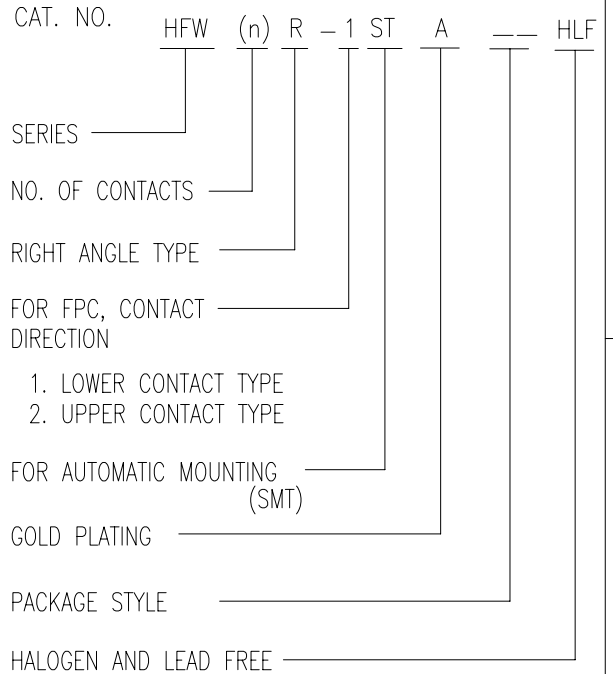
mat'l. code				surface $\sqrt{58}$ ISO 1302		tolerance ISO 406 ISO 1101		projection 		product family 58NF				
ltr	ecn no	dr	date	tolerances unless otherwise specified				mm 		title				
A	S09-0023	DGOH	09-01-21	angles	linear					1mm SPACING FPC CONNECTOR DOCUMENT LIST (Cat. No. : HFW__R-1/2STAE1HLF)				
				dr	H. TAKAKURA		06-10-23				dwg no		sheet 1 of 8	size
				enr	DENNIS GOH		09-01-21				10096547		A4	
				chr	DENNIS GOH		09-01-21				type Product Customer Drawing			
				appd	JOEY NG		09-01-21							
sheet	revision	A	A	A	A	A	A	A					Rev.	
index	sheet	1	2	3	4	5	6	7					A	

1

2

CAT. NO. & DIMENSIONS

(NOTE3)	NO. OF CONTACTS (n)	CAT. NO.	DIMENSIONS (NOTE2)		
			A ± 0.2	B ± 0.2	C ± 0.1
	4	HFW4R-1/2STA__HLF	6.6	3	5.14
	5	HFW5R-1/2STA__HLF	7.6	4	6.14
	6	HFW6R-1/2STA__HLF	8.6	5	7.14
	7	HFW7R-1/2STA__HLF	9.6	6	8.14
	8	HFW8R-1/2STA__HLF	10.6	7	9.14
	9	HFW9R-1/2STA__HLF	11.6	8	10.14
	10	HFW10R-1/2STA__HLF	12.6	9	11.14
	11	HFW11R-1/2STA__HLF	13.6	10	12.14
	12	HFW12R-1/2STA__HLF	14.6	11	13.14
	13	HFW13R-1/2STA__HLF	15.6	12	14.14
	14	HFW14R-1/2STA__HLF	16.6	13	15.14
	15	HFW15R-1/2STA__HLF	17.6	14	16.14
	16	HFW16R-1/2STA__HLF	18.6	15	17.14
	17	HFW17R-1/2STA__HLF	19.6	16	18.14
	18	HFW18R-1/2STA__HLF	20.6	17	19.14
	19	HFW19R-1/2STA__HLF	21.6	18	20.14
	20	HFW20R-1/2STA__HLF	22.6	19	21.14
	21	HFW21R-1/2STA__HLF	23.6	20	22.14
	22	HFW22R-1/2STA__HLF	24.6	21	23.14
	23	HFW23R-1/2STA__HLF	25.6	22	24.14
	24	HFW24R-1/2STA__HLF	26.6	23	25.14
	25	HFW25R-1/2STA__HLF	27.6	24	26.14
	26	HFW26R-1/2STA__HLF	28.6	25	27.14
	27	HFW27R-1/2STA__HLF	29.6	26	28.14
*	28	HFW28R-1/2STA__HLF	30.6	27	29.14
*	29	HFW29R-1/2STA__HLF	31.6	28	30.14
	30	HFW30R-1/2STA__HLF	32.6	29	31.14



NOTES

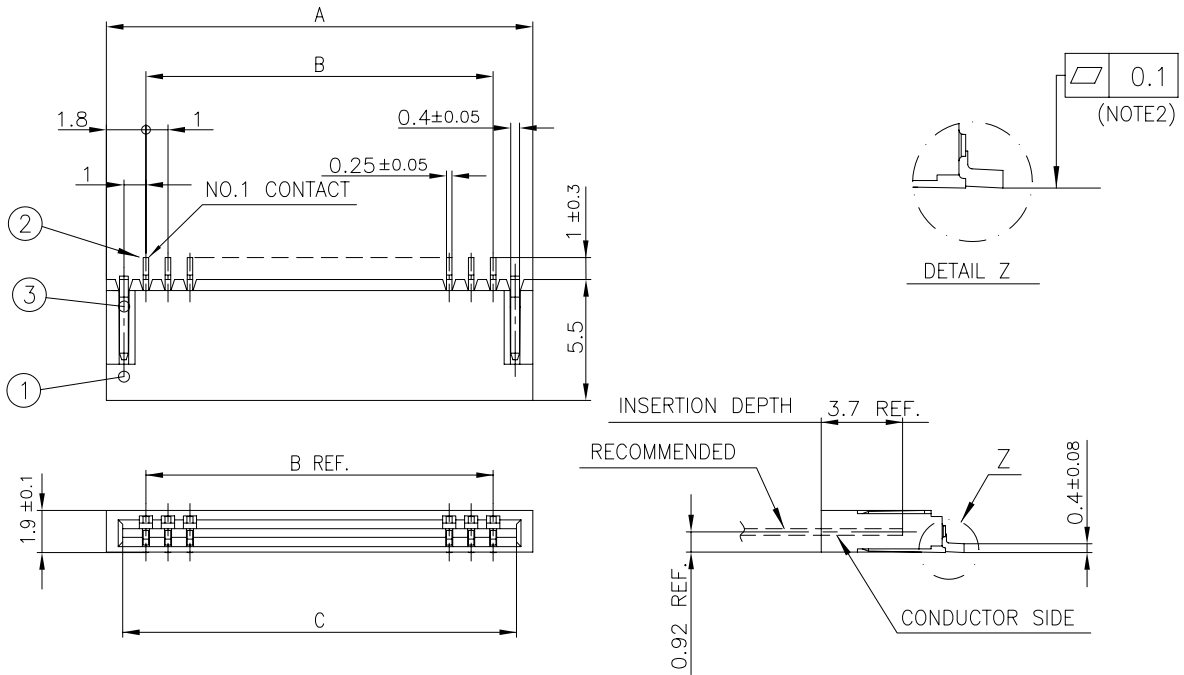
1. THIS PRODUCT IS THE CONNECTOR DESIGNED TO TERMINATE FPC AND COPE WITH AUTOMATIC MOUNTING (SMT).
2. SEE PART DRAWINGS FOR DIMENSIONS A~C.
3. PLEASE CONSULT US IN CASE OF USING PARTS WITH * MARK.

mat'l. code		surface 58/ISO 1302		tolerance ISO 406/ISO 1101		projection		product family 58NF		CODE JP	
ltr A		ecn no		dr		date		tolerances unless otherwise specified		title	
								angles linear		CAT NO.TABLE FOR 1mm SPACING SMT CONNECTOR (Cat.No. HFW__R-1/2STA__HLF)	
								mm		dwg no 10096547	
								scale X		sheet 2 of 8	
				dr H. TAKAKURA		06-10-23				size A4	
				engr DENNIS GOH		09-01-21					
				chr DENNIS GOH		09-01-21					
				appd JOEY NG		09-01-21					
sheet		revision						type Product Customer Drawing		Rev. A	



FCIconnect.com

Copyright FCI.

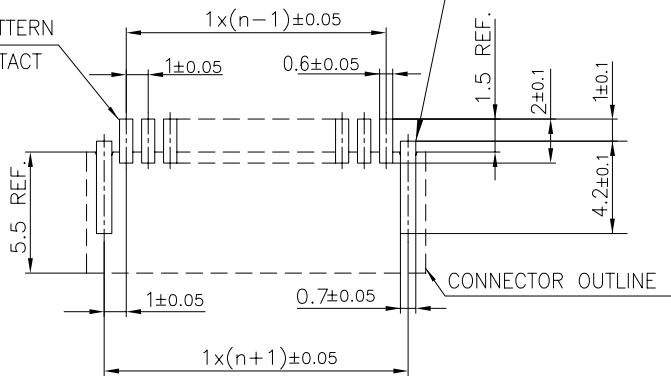


PT. NO.	PARTS NAME	MATERIAL	Q'TY	NOTE
1	HOUSING	PA6T RESIN GLASS REINFORCED (UL94V-0)	1	COLOR:BLACK (HALOGEN FREE)
2	CONTACT	PHOSPHOR BRONZE	n	PLATING:GOLD
3	MOUNTING PLATE		2	PLATING:TIN (LEAD FREE)

n : NO. OF CONTACTS

RECOMMENDED PC BOARD LAYOUT
(COMPONENT SIDE)

BASIC PATTERN
NO.1 CONTACT POSITION



NOTES

1. THIS PRODUCT IS THE CONNECTOR DESIGNED TO TERMINATE FPC AND COPES WITH AUTOMATIC MOUNTING (SMT).
2. FLATNESS OF CONTACT TERMINAL FOR HOUSING MUST BE WITHIN TOLERANCE IN Z PORTION DETAILED DRAWING.
3. THIS PRODUCT IS LOWER CONTACT TYPE CONNECTOR.
4. THIS PRODUCT MEETS EUROPEAN UNION DIRECTIVES AND OTHER COUNTRY REGULATIONS AS DESCRIBED IN GS-22-008
5. THE HOUSING WILL WITHSTAND EXPOSURE TO 260°C PEAK TEMPERATURE FOR 10 SECONDS IN A REFLOW SOLDERING OVEN.

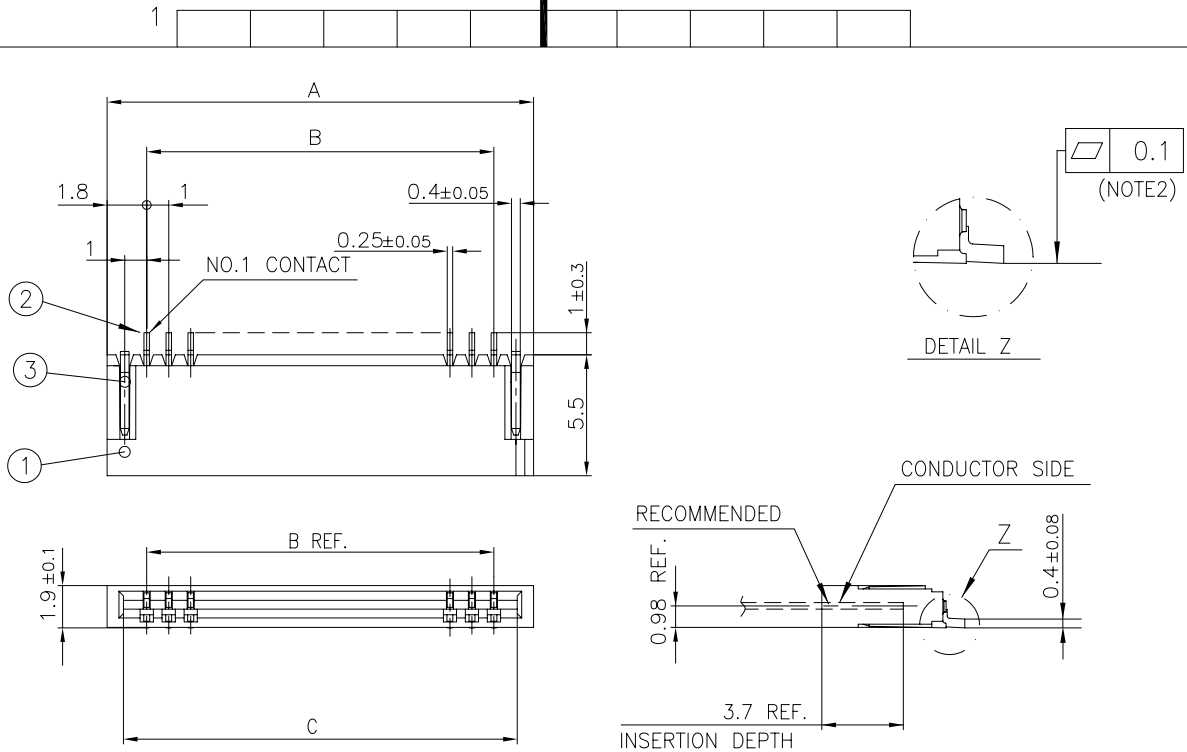
mat'l. code		surface 58 / tolerance ISO 1302 / ISO 406 / ISO 1101		projection		product family 58NF	
ltr	ecn no	dr	date	tolerances unless otherwise specified		title	
A				angles	linear ±0.2	1mm SPACING SURFACE MOUNT FPC CONNECTOR (Cat.No. HFW__R-1STA__HLF)	
sheet		revision		dr H. TAKAKURA 06-10-23		dwg no sheet 3 of 8 size	
index		sheet		engr DENNIS GOH 09-01-21		10096547 A4	
				chr DENNIS GOH 09-01-21		type Product Customer Drawing	
				appd JOEY NG 09-01-21		Rev. A	



FCIconnect.com

Copyright FCI.

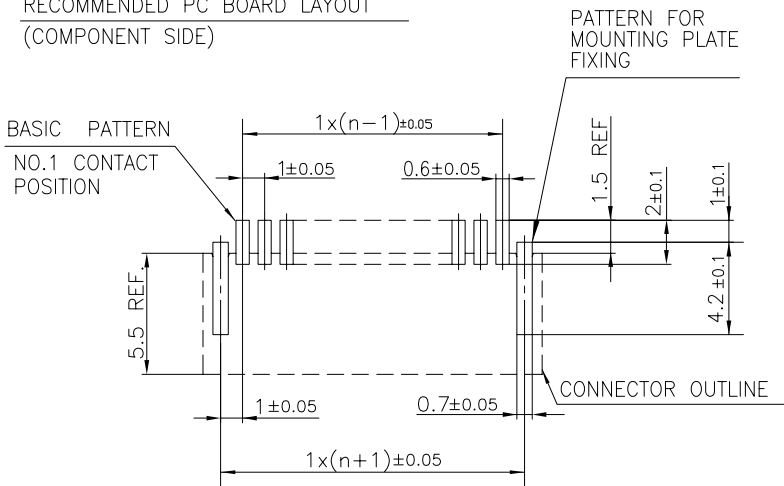




PT. NO.	PARTS NAME	MATERIAL	Q'TY	NOTE
1	HOUSING	PA6T RESIN GLASS REINFORCED (UL94V-0)	1	COLOR:BLACK (HALOGEN FREE)
2	CONTACT	PHOSPHOR BRONZE	n	PLATING:GOLD
3	MOUNTING PLATE		2	PLATING:TIN (LEAD FREE)

n : NO. OF CONTACTS

RECOMMENDED PC BOARD LAYOUT
(COMPONENT SIDE)



NOTES

1. THIS PRODUCT IS THE CONNECTOR DESIGNED TO TERMINATE FPC AND COPE WITH AUTOMATIC MOUNTING (SMT).
2. FLATNESS OF CONTACT TERMINAL FOR HOUSING MUST BE WITHIN TOLERANCE IN Z PORTION DETAILED DRAWING.
3. THIS PRODUCT IS UPPER CONTACT TYPE CONNECTOR.
4. THIS PRODUCT MEETS EUROPEAN UNION DIRECTIVES AND OTHER COUNTRY REGULATIONS AS DESCRIBED IN GS-22-008
5. THE HOUSING WILL WITHSTAND EXPOSURE TO 260°C PEAK TEMPERATURE FOR 10 SECONDS IN A REFLOW SOLDERING OVEN.

mat'l. code		surface 58 / ISO 1302		tolerance ISO 406 / ISO 1101		projection		product family 58NF		CODE JP	
ltr		ecn no		dr		date		tolerances unless otherwise specified		title	
A								±0.2		1mm SPACING SURFACE MOUNT FPC CONNECTOR (Cat.No. HFW__R-2STA__HLF)	
				angles		linear		mm		dwg no	
								scale X		sheet 4 of 8	
				dr		H. TAKAKURA		06-10-23		size	
				engr		DENNIS GOH		09-01-21		A4	
				chr		DENNIS GOH		09-01-21		10096547	
				appd		JOEY NG		09-01-21		type Product Customer Drawing	
sheet		revision								Rev.	



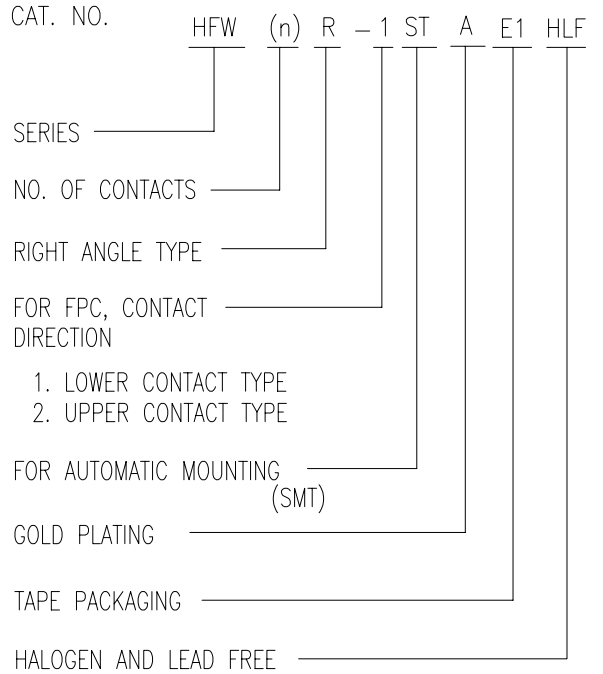
FCIconnect.com

Copyright FCI.



CAT. NO. & DIMENSIONS

(NOTE4)	NO. OF CONTACTS (n)	CAT. NO. (NOTE2)	DIMENSIONS (NOTE3)		
			E ± 5	F ± 0.3	G ± 0.1
	4	HFW4R-1/2STAE1HLF	28.4	24	—
	5	HFW5R-1/2STAE1HLF	28.4	24	—
	6	HFW6R-1/2STAE1HLF	28.4	24	—
	7	HFW7R-1/2STAE1HLF	28.4	24	—
	8	HFW8R-1/2STAE1HLF	28.4	24	—
	9	HFW9R-1/2STAE1HLF	28.4	24	—
	10	HFW10R-1/2STAE1HLF	28.4	24	—
	11	HFW11R-1/2STAE1HLF	28.4	24	—
	12	HFW12R-1/2STAE1HLF	28.4	24	—
	13	HFW13R-1/2STAE1HLF	28.4	24	—
	14	HFW14R-1/2STAE1HLF	28.4	24	—
	15	HFW15R-1/2STAE1HLF	36.4	32	28.4
	16	HFW16R-1/2STAE1HLF	36.4	32	28.4
	17	HFW17R-1/2STAE1HLF	36.4	32	28.4
	18	HFW18R-1/2STAE1HLF	36.4	32	28.4
	19	HFW19R-1/2STAE1HLF	48.4	44	40.4
	20	HFW20R-1/2STAE1HLF	48.4	44	40.4
	21	HFW21R-1/2STAE1HLF	48.4	44	40.4
	22	HFW22R-1/2STAE1HLF	48.4	44	40.4
	23	HFW23R-1/2STAE1HLF	48.4	44	40.4
	24	HFW24R-1/2STAE1HLF	48.4	44	40.4
	25	HFW25R-1/2STAE1HLF	48.4	44	40.4
	26	HFW26R-1/2STAE1HLF	48.4	44	40.4
	27	HFW27R-1/2STAE1HLF	48.4	44	40.4
*	28	HFW28R-1/2STAE1HLF	48.4	44	40.4
*	29	HFW29R-1/2STAE1HLF	48.4	44	40.4
	30	HFW30R-1/2STAE1HLF	60.4	56	52.4



NOTES

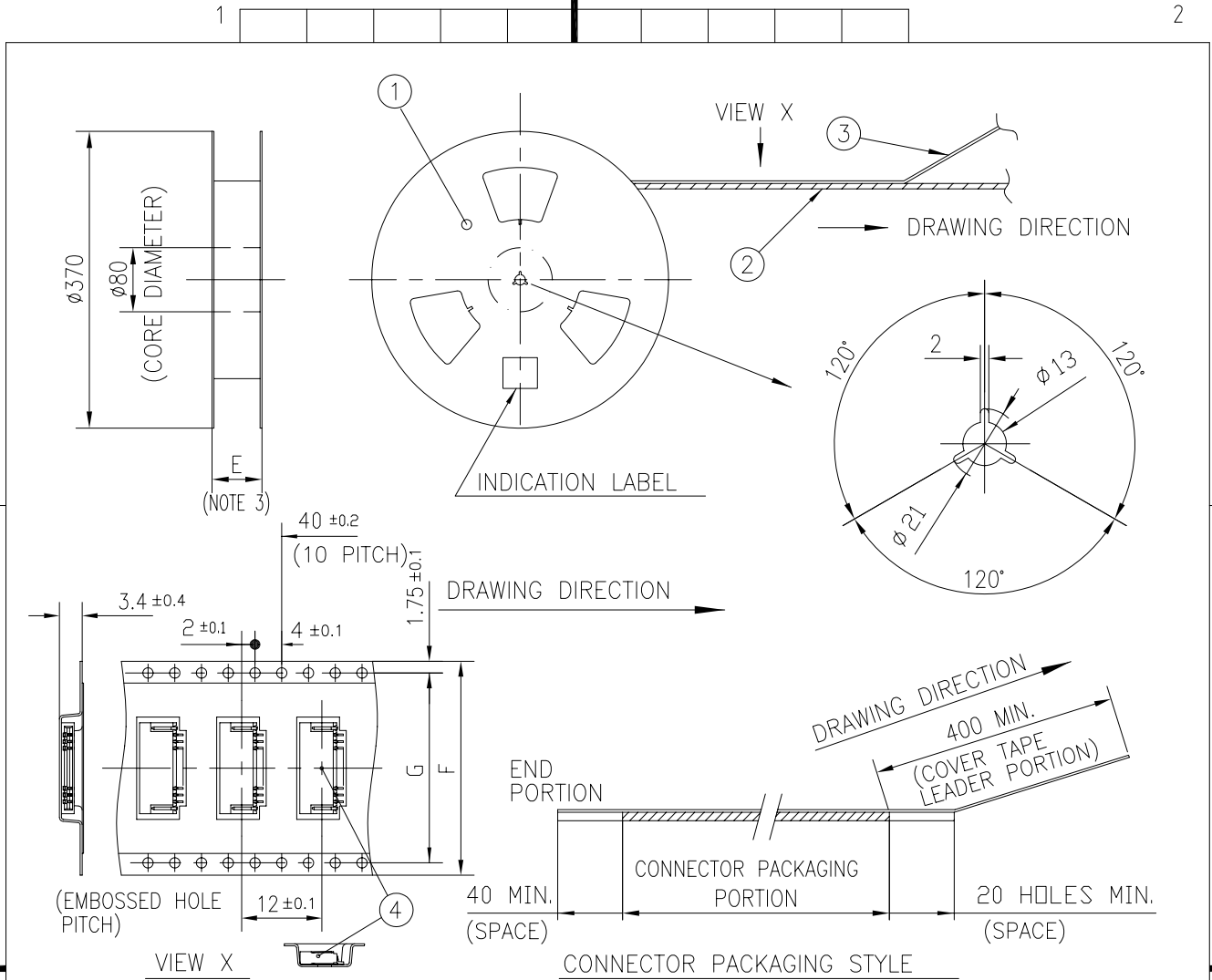
1. THIS PRODUCT IS THE CONNECTOR DESIGNED TO TERMINATE FPC AND COPE WITH AUTOMATIC MOUNTING (SMT).
2. THIS CATALOG NO. INDICATES PLASTIC TAPE PACKAGED CONNECTOR.
3. SEE PART DRAWINGS FOR DIMENSIONS E~G.
4. PLEASE CONSULT US IN CASE OF USING PARTS WITH * MARK.

mat'l. code				surface 58/ISO 1302		tolerance ISO 406/ISO 1101		projection		product family 58NF			
ltr		ecn no		dr		date		tolerances unless otherwise specified		mm		title	
A								angles linear		scale X		CAT. NO. TABLE FOR PLASTIC TAPE PACKAGED 1mm SPACING SMT CONN (Cat.No. HFW_R-1/2STAE1HLF)	
				dr		H. TAKAKURA		06-10-23		FCI		dwg no sheet 5 of 8 size	
				engr		DENNIS GOH		09-01-21				10096547 A4	
				chr		DENNIS GOH		09-01-21					
				appd		JOEY NG		09-01-21					
sheet		revision										type Product Customer Drawing	
index		sheet										Rev. A	



FCIconnect.com

Copyright FCI.

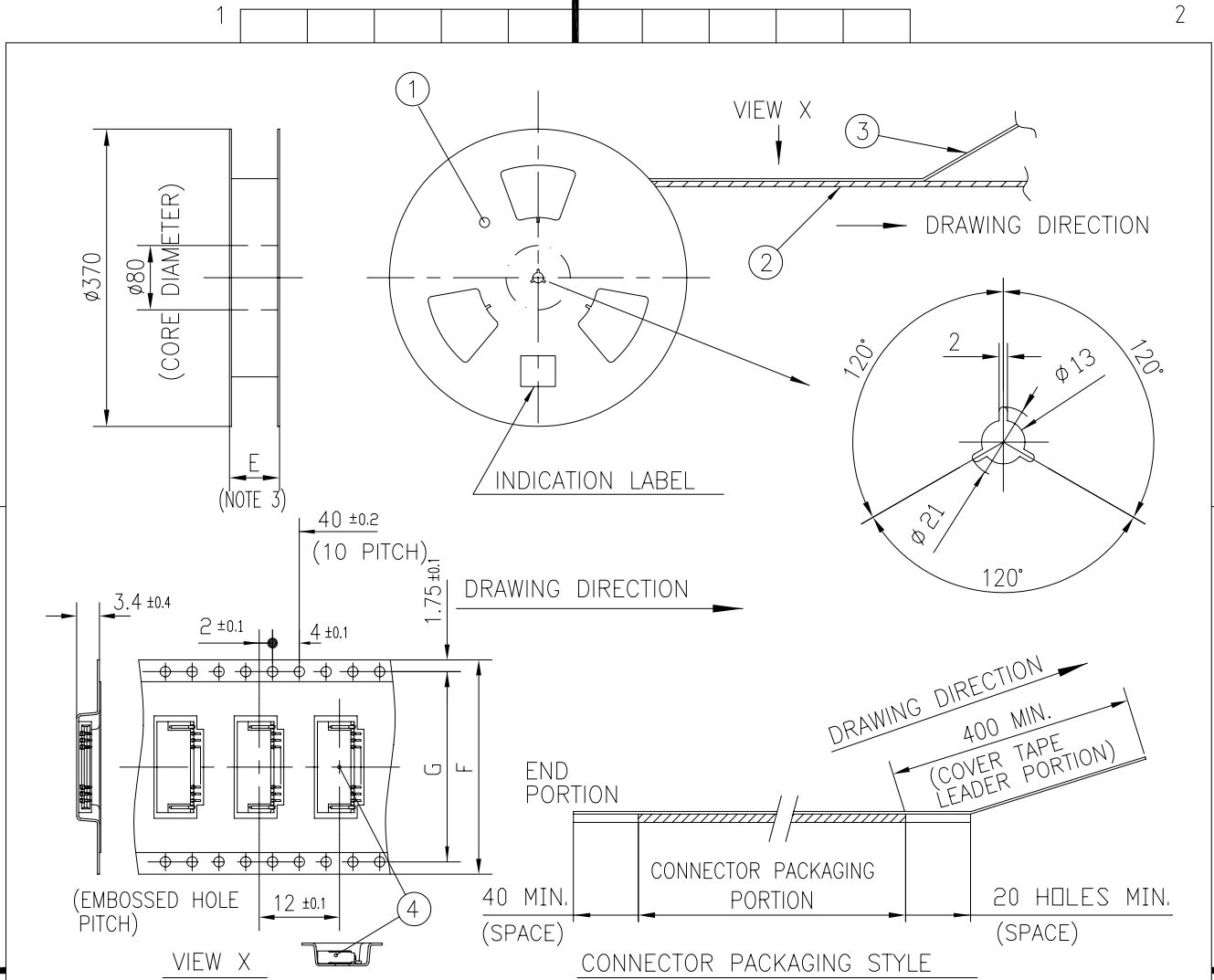


PT. NO.	PARTS NAME	CAT. NO.	MATERIAL	Q'TY	NOTE
1	REEL	—	CARDBOARD	1	COLOR:WHITE
2	PLASTIC (EMBOSSD) TAPE	—	PET	—	COLOR:TRANSPARENCY
3	COVER	—	POLYESTER	—	COLOR:TRANSPARENCY
4	CONNECTOR	HFW__R-1STA__HLF	SEE ATTACHED DWG.	2000	LOWER CONTACT TYPE

NOTES

- THIS IS PLASTIC TAPE PACKAGED CONNECTOR DESIGNED TO TERMINATE FPC AND CYPES WITH AUTOMATIC MOUNTING (SMT).
- SEE JIS C 0806 (PACKING OF ELECTRONIC COMPONENTS ON CONTINUOUS TAPES (SURFACE MOUNTING DEVICES)) FOR SHAPE AND DIMENSIONS OF PLASTIC (EMBOSSD) TAPE AND REEL.
- E DIMENSION IS PORTION OF THE CORE.

mat'l. code		surface 58/ISO 1302		tolerance ISO 406/ISO 1101		projection		product family 58NF		CODE JP	
ltr		ecn no		dr		date		tolerances unless otherwise specified		title	
A								±5		1mm SPACING SMT CONNECTOR (Cat.No. HFW__R-1STAE1HLF)	
				angles		linear		mm			
				±5°				scale X			
				dr		H. TAKAKURA		06-10-23		sheet 6 of 8	
				engr		DENNIS GOH		09-01-21		size A4	
				chr		DENNIS GOH		09-01-21		10096547	
				appd		JOEY NG		09-01-21		type Product Customer Drawing	
sheet		revision								Rev. A	



PT. NO.	PARTS NAME	CAT. NO.	MATERIAL	Q'TY	NOTE
1	REEL	_____	CARDBOARD	1	COLOR:WHITE
2	PLASTIC (EMBOSS) TAPE	_____	PET	_____	COLOR:TRANSPARENCY
3	COVER	_____	POLYESTER	_____	COLOR:TRANSPARENCY
4	CONNECTOR	HFW__R-2STA__-HLF	SEE ATTACHED DWG.	2000	UPPER CONTACT TYPE

NOTES

1. THIS IS PLASTIC TAPE PACKAGED CONNECTOR DESIGNED TO TERMINATE FPC AND COPES WITH AUTOMATIC MOUNTING (SMT).
2. SEE JIS C 0806 (PACKING OF ELECTRONIC COMPONENTS ON CONTINUOUS TAPES (SURFACE MOUNTING DEVICES)) FOR SHAPE AND DIMENSIONS OF PLASTIC (EMBOSS) TAPE AND REEL.
3. E DIMENSION IS PORTION OF THE CORE.

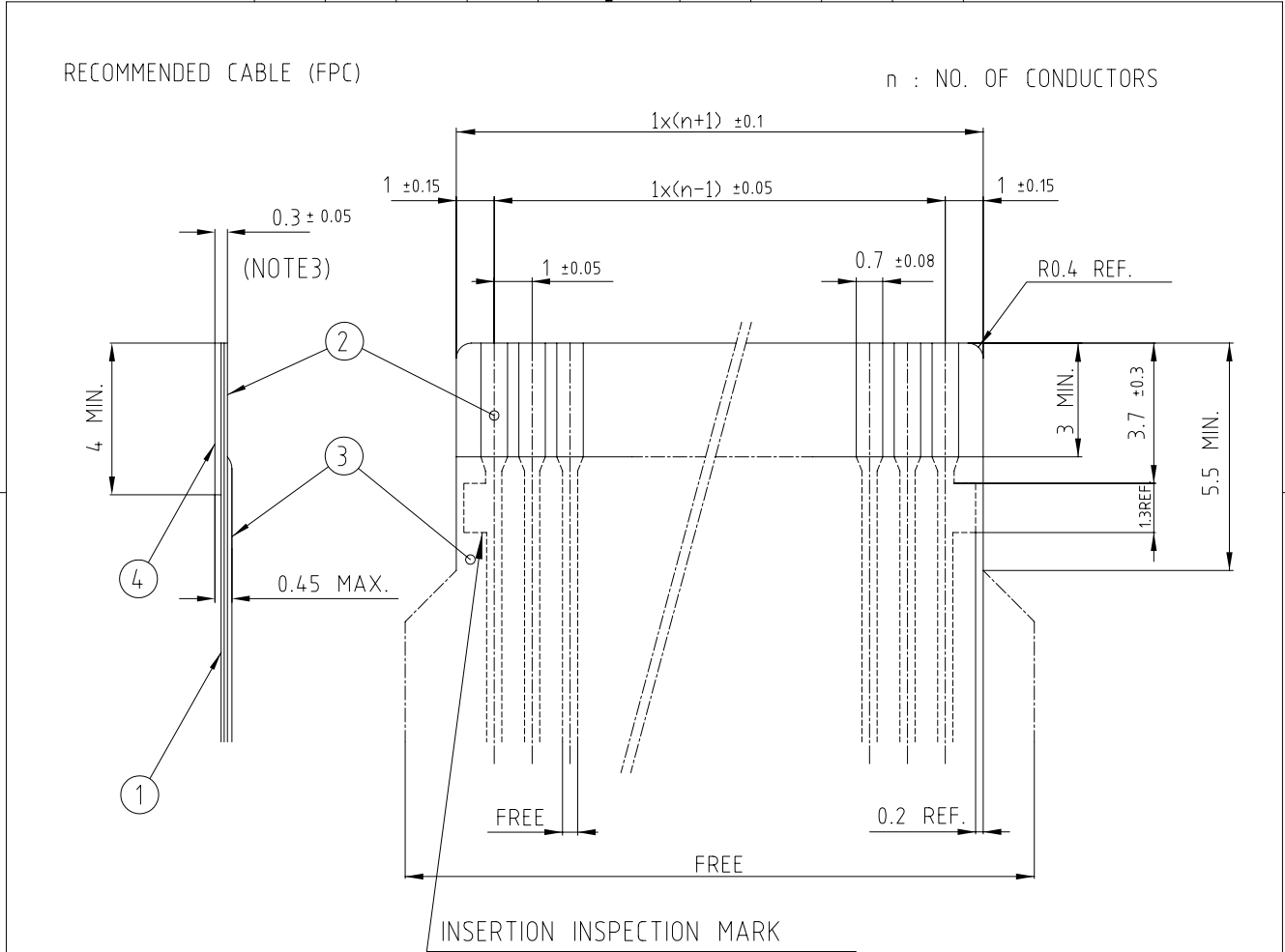
mat'l. code		surface $\sqrt{58}$ / tolerance ISO 1302 / ISO 406 / ISO 1101		projection $\begin{matrix} \oplus \\ \triangleleft \end{matrix}$		product family 58NF	
ltr		ecn no		dr		date	
A							
		angles $\pm 5^\circ$		linear ± 5		mm \longleftrightarrow	
						scale \times	
		dr H. TAKAKURA		06-10-23		dwg no sheet 7 of 8 size	
		engr DENNIS GOH		09-01-21		10096547 $\Delta 4$	
		chr DENNIS GOH		09-01-21			
		appd JOEY NG		09-01-21		type Product Customer Drawing	
sheet		revision				Rev. A	



FCIconnect.com

Copyright FCI.





PT. NO.	DESCRIPTION	MATERIAL	THICKNESS (μ m)
1	BASE FILM	POLYIMIDE OR POLYESTER OR EQUIVALENT	25
2	CONDUCTOR	COPPER FOIL(PLATING : GOLD)	35
3	OVERLAY	POLYIMIDE OR POLYESTER OR EQUIVALENT	—
4	SUPPORTING TAPE	POLYESTER OR POLYIMIDE OR EQUIVALENT	188

NOTES

1. NO BURR AT EACH PORTION.
2. NO PEELING IN COMMON USE.
3. TOTAL THICKNESS LIMIT OF EACH MATERIAL (INCLUDING ADHESIVE AGENT) IS SPECIFIED.

mat'l. code		surface $\sqrt{58}$ / tolerance ISO 1302 / ISO 406 / ISO 1101		projection		product family 58NF	
ltr	ecn no	dr	date	tolerances unless otherwise specified		title	
A				angles	linear	RECOMMENDED CABLE	
						HFW__R-1/2STA__	
				dr	H. TAKAKURA	06-10-23	dwg no 10096547 sheet 8 of 8 size A4
				engr	DENNIS GOH	09-01-21	
				chr	DENNIS GOH	09-01-21	
				appd	JOEY NG	09-01-21	
sheet		revision		type		Product Customer Drawing	
index		sheet		Rev.		A	



FCIconnect.com

Copyright FCI.