

Excellent Integrated System Limited

Stocking Distributor

Click to view price, real time Inventory, Delivery & Lifecycle Information:

[FCI](#)
[SFW16R-4STZE5LF](#)

For any questions, you can email us directly:
sales@integrated-circuit.com

List of "SFW__R-3/4STZE5LF" customer document

DOCUMENT NO.	LIST
10091601(SHEET1)	DOCUMENT LIST
10091601(SHEET2)	CAT. NO. TABLE FOR 1mm SPACING SMT CONNECTOR (SFW__R-3/4STZ__LF)
10091601(SHEET3)	1mm SPACING SMT CONNECTOR (SFW__R-3STZ__LF)
10091601(SHEET4)	1mm SPACING SMT CONNECTOR (SFW__R-4STZ__LF)
10091601(SHEET5)	CAT. NO. TABLE FOR PLASTIC TAPE PACKAGED 1mm SPACING SMT CONNECTOR (SFW__R-3/4STZE5LF)
10091601(SHEET6)	PLASTIC TAPE PACKAGED 1mm SPACING SMT CONNECTOR (SFW__R-3STZE5LF)
10091601(SHEET7)	PLASTIC TAPE PACKAGED 1mm SPACING SMT CONNECTOR (SFW__R-4STZE5LF)
10091601(SHEET8)	RECOMMENDED CABLE (FPC) (SFW__R-3/4ST__)
10091601(SHEET9)	RECOMMENDED CABLE (FFC) (SFW__R-3/4ST__)
SC-SFW11	PRODUCT SPECIFICATION
GS-20-130	HANDLING PROCEDURES

mat'l. code				surface ISO 1302 <input checked="" type="checkbox"/> 58 <input type="checkbox"/> tolerance ISO 406 <input type="checkbox"/> ISO 1101 <input type="checkbox"/>				projection		product family 58RF		CODE JP	
ltr				ecn no				dr		date		title	
A				S08-0266				DGOH		08-08-13		1mm SPACING SMT CONNECTOR DOCUMENT LIST	
B				S08-0277				DGOH		08-08-25		(Cat. No. : SFW__R-3/4STZE5LF)	
C				J09-0380				M.Y		2009-10-27		scale \times	
				dr				M. Yamashita		2009-10-27		dwg no	
				enr				M. Yamashita		2009-10-27		sheet 1 of 9	
				chr				S. Michi		2009-10-27		size	
				appd				S. Okudaira		2009-10-27		A4	
sheet				revision				C		C		C	
index				sheet				1		2		3	
								4		5		6	
								7		8		9	
												Rev. C	



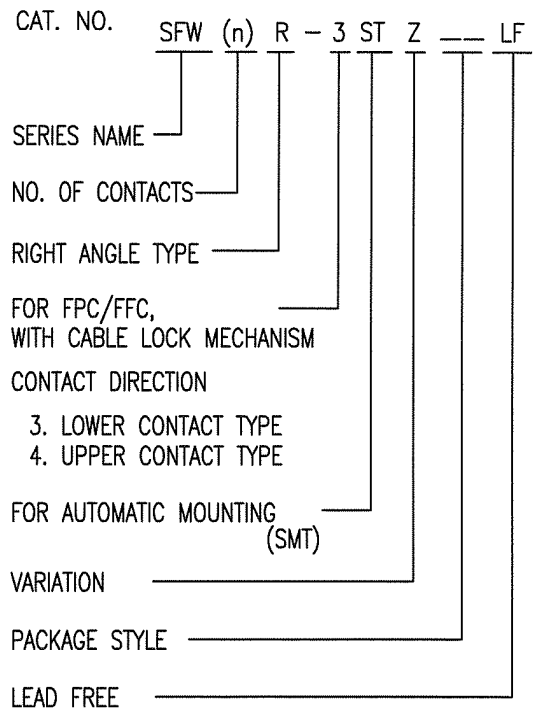
FCIconnect.com

Copyright FCI.



CAT. NO. & DIMENSIONS

NO. OF CONTACTS (n)	CAT. NO.	DIMENSIONS (NOTE2)			
		A ± 0.2	B ± 0.2	C ± 0.2	D ± 0.1
4	SFW4R-3/4STZ__LF	9.8	8.6	3.0	3.92
5	SFW5R-3/4STZ__LF	10.8	9.6	4.0	4.92
6	SFW6R-3/4STZ__LF	11.8	10.6	5.0	5.92
7	SFW7R-3/4STZ__LF	12.8	11.6	6.0	6.92
8	SFW8R-3/4STZ__LF	13.8	12.6	7.0	7.92
9	SFW9R-3/4STZ__LF	14.8	13.6	8.0	8.92
10	SFW10R-3/4STZ__LF	15.8	14.6	9.0	9.92
11	SFW11R-3/4STZ__LF	16.8	15.6	10.0	10.92
12	SFW12R-3/4STZ__LF	17.8	16.6	11.0	11.92
13	SFW13R-3/4STZ__LF	18.8	17.6	12.0	12.92
14	SFW14R-3/4STZ__LF	19.8	18.6	13.0	13.92
15	SFW15R-3/4STZ__LF	20.8	19.6	14.0	14.92
16	SFW16R-3/4STZ__LF	21.8	20.6	15.0	15.92
17	SFW17R-3/4STZ__LF	22.8	21.6	16.0	16.92
18	SFW18R-3/4STZ__LF	23.8	22.6	17.0	17.92
19	SFW19R-3/4STZ__LF	24.8	23.6	18.0	18.92
20	SFW20R-3/4STZ__LF	25.8	24.6	19.0	19.92
21	SFW21R-3/4STZ__LF	26.8	25.6	20.0	20.92
22	SFW22R-3/4STZ__LF	27.8	26.6	21.0	21.92
23	SFW23R-3/4STZ__LF	28.8	27.6	22.0	22.92
24	SFW24R-3/4STZ__LF	29.8	28.6	23.0	23.92
25	SFW25R-3/4STZ__LF	30.8	29.6	24.0	24.92
26	SFW26R-3/4STZ__LF	31.8	30.6	25.0	25.92
27	SFW27R-3/4STZ__LF	32.8	31.6	26.0	26.92
28	SFW28R-3/4STZ__LF	33.8	32.6	27.0	27.92
29	SFW29R-3/4STZ__LF	34.8	33.6	28.0	28.92
30	SFW30R-3/4STZ__LF	35.8	34.6	29.0	29.92



NOTES

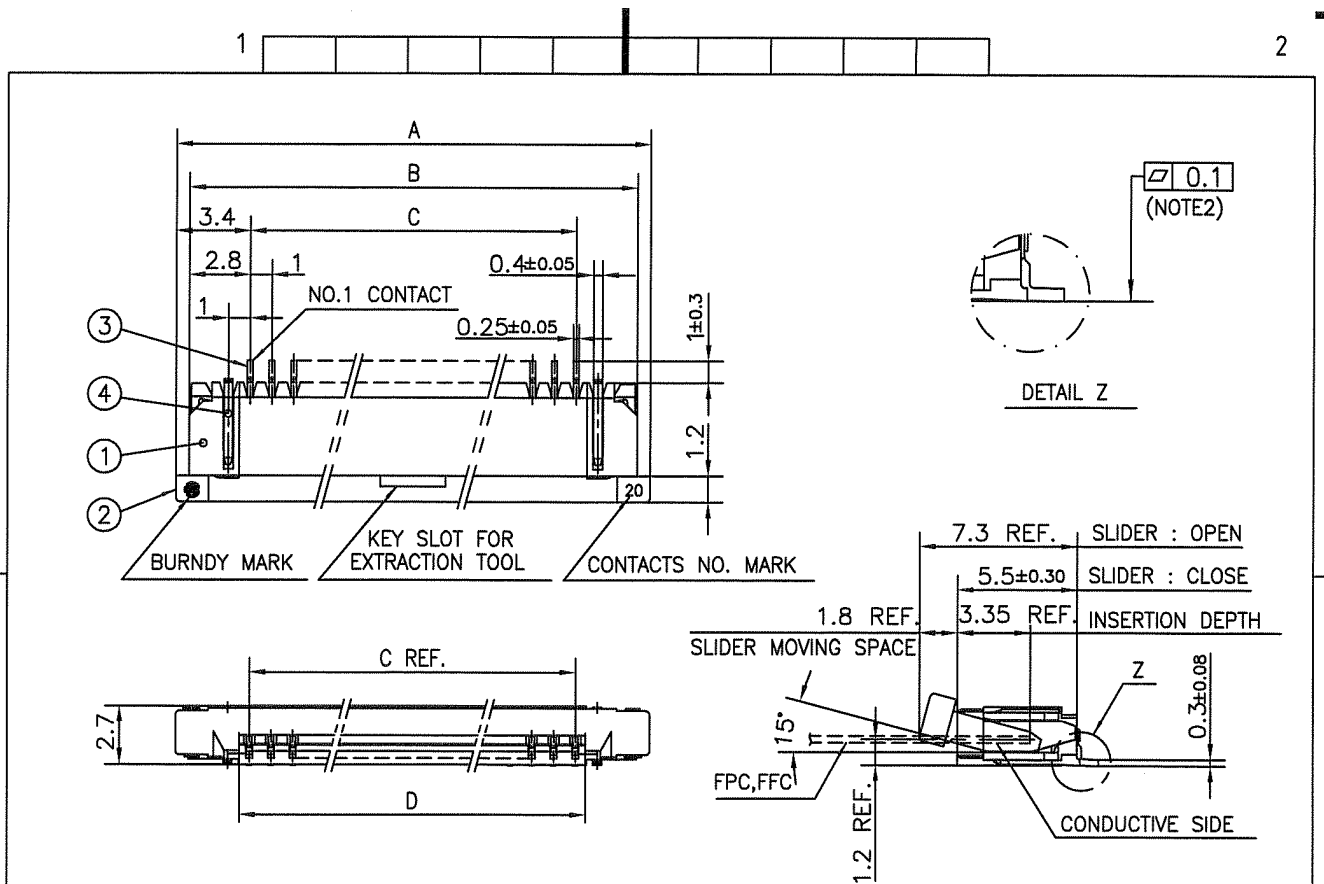
1. THIS PRODUCT IS THE CONNECTOR USED FOR FPC/FFC AND COPEES WITH AUTOMATIC MOUNTING (SMT).
2. SEE PART DRAWINGS FOR DIMENSIONS A~D.
3. THIS PRODUCT IS THE CONNECTOR WITH CABLE LOCK MECHANISM.

mat'l. code		surface 58 / ISO 1302		tolerance ISO 406 / ISO 1101		projection		product family 58RF		CODE JP	
ltr	ecn no	dr	date	tolerances unless otherwise specified				title CAT NO. TABLE FOR 1mm SPACING SMT CONNECTOR (Cat. No. SFW__R-3/4STZ__LF)			
C				angles	linear	mm					
		dr	M.YAMASHITA 2008-10-27				scale X		dwg no		sheet 2 of 9
		enrg	M.YAMASHITA 2009-10-27						10091601		size A4
		chr	S. Nishida 2008-10-27						type Product Customer Drawing		
		appd	S. Nishida 2008-10-27								Rev. C
sheet index	revision sheet										



FCIconnect.com

Copyright FCI.

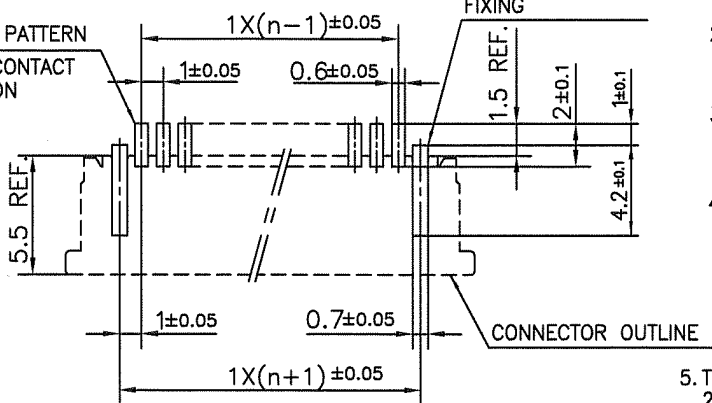


PT. NO.	PARTS NAME	MATERIAL	Q'TY	NOTE
1	HOUSING	PPS RESIN GLASS REINFORCED (UL94V-0)	1	COLOR : BLACK
2	SLIDER		1	COLOR : BROWN
3	CONTACT	PHOSPHOR BRONZE	n	PLATING : THIN TIN
4	MOUNTING PLATE		2	PLATING : TIN

n : NO. OF CONTACTS

RECOMMENDED PC BOARD LAYOUT
(COMPONENT SIDE)

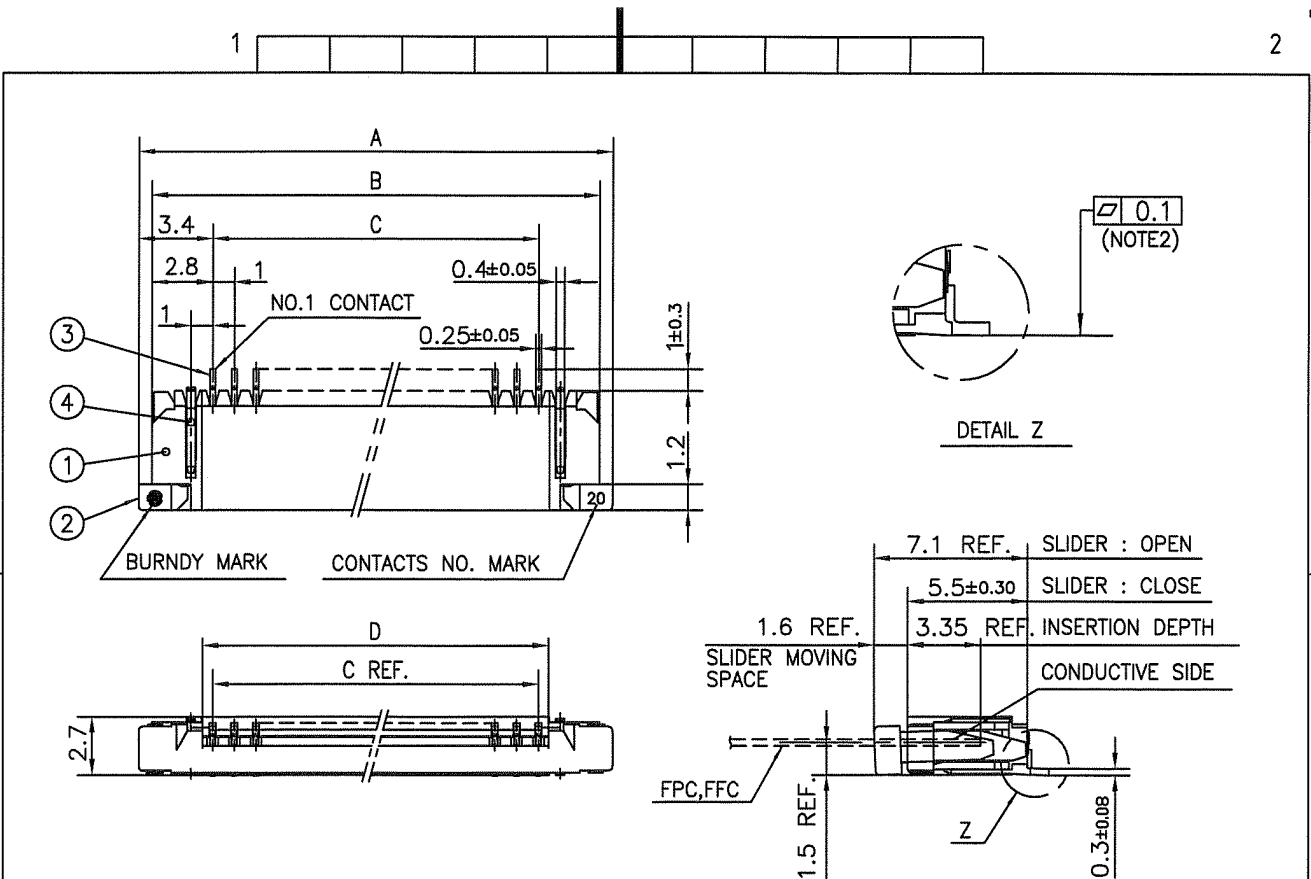
BASIC PATTERN
NO.1 CONTACT
POSITION



NOTES

1. THIS PRODUCT IS THE CONNECTOR USED FOR FPC/FFC AND COPEs WITH AUTOMATIC MOUNTING (SMT).
2. FLATNESS FOR CONTACT TERMINAL HOUSING MUST BE WITHIN TOLERANCE IN Z PORTION DETAILED DRAWING.
3. THIS PRODUCT IS LOWER CONTACT TYPE CONNECTOR WITH CABLE LOCK MECHANISM.
4. THIS PRODUCT MEETS EUROPEAN UNION DIRECTIVES AND OTHER COUNTRY REGULATIONS AS DESCRIBED IN GS-22-008
5. THE HOUSING WILL WITHSTAND EXPOSURE TO 260°C PEAK TEMPERATURE FOR 10 SECONDS IN A REFLOW SOLDERING OVEN.

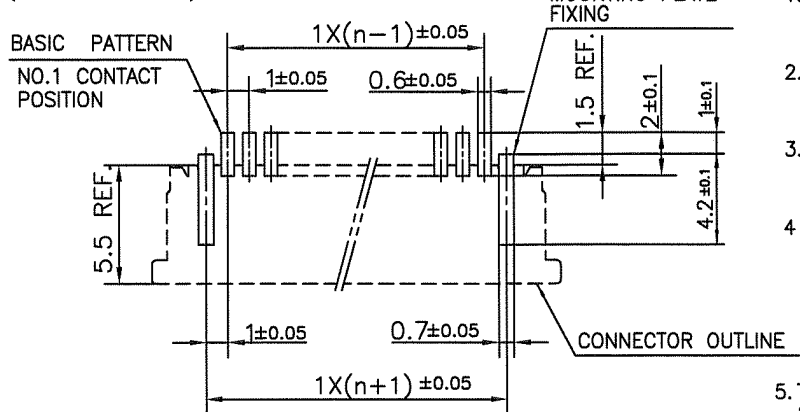
mat'l. code				surface 58/ISO 1302	tolerance ISO 406/ISO 1101	projection	product family 58RF	CODE JP	
ltr	ecn no	dr	date	tolerances unless otherwise specified		mm	title		
c				angles	linear ±0.2		1mm SPACING SMT CONNECTOR (Cat. No. SFW__R-3STZ__LF)		
				dr	H.YAMASHITA	2008-10-27	dwg no sheet 3 of 9 size		
				enr	H.YAMASHITA	2009-10-27	10091601 A4		
				chr	S. Nishida	2009-10-27	type Product Customer Drawing		
				appd	J. Chikama	2009-10-27			
sheet index	revision sheet								Rev. c



PT. NO.	PARTS NAME	MATERIAL	Q'TY	NOTE
1	HOUSING	PPS RESIN GLASS	1	COLOR : BLACK
2	SLIDER	REINFORCED (UL94V-0)	1	COLOR : BROWN
3	CONTACT	PHOSPHOR BRONZE	n	PLATING : THIN TIN
4	MOUNTING PLATE		2	PLATING : TIN

n : NO. OF CONTACTS

RECOMMENDED PC BOARD LAYOUT
 (COMPONENT SIDE)



NOTES

- THIS PRODUCT IS THE CONNECTOR USED FOR FPC/FFC AND COPES WITH AUTOMATIC MOUNTING (SMT).
- FLATNESS FOR CONTACT TERMINAL HOUSING MUST BE WITHIN TOLERANCE IN Z PORTION DETAILED DRAWING.
- THIS PRODUCT IS UPPER CONTACT TYPE CONNECTOR WITH CABLE LOCK MECHANISM.
- THIS PRODUCT MEETS EUROPEAN UNION DIRECTIVES AND OTHER COUNTRY REGULATIONS AS DESCRIBED IN GS-22-008
- THE HOUSING WILL WITHSTAND EXPOSURE TO 260°C PEAK TEMPERATURE FOR 10 SECONDS IN A REFLOW SOLDERING OVEN.

mat'l. code		surface 58 / tolerance ISO 1302 ✓ / ISO 406 / ISO 1101		projection		product family 58RF		CODE JP	
ltr	ecn no	dr	date	tolerances unless otherwise specified		title			
c				angles	linear ±0.2	1mm SPACING SMT CONNECTOR (Cat. No. SFW__R-4STZ__LF)			
		dr	M. YAMASHITA 2009-10-27			dwg no		sheet 4 of 9 size	
		enr	M. YAMASHITA 2009-10-27			10091601		A4	
		chr	S. Y. T. 2009-10-27			type		Product Customer Drawing	
		appd	S. Y. T. 2009-10-27						
sheet index		revision sheet						Rev. C	



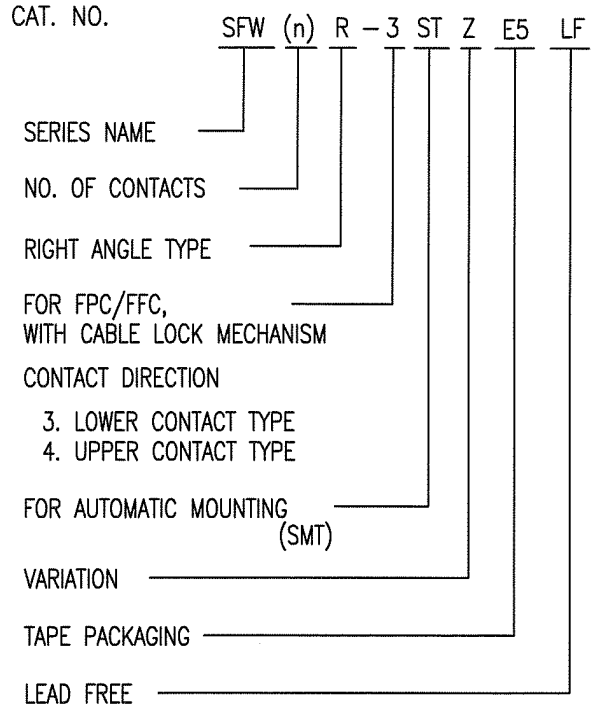
FCIconnect.com

Copyright FCI.



CAT. NO. & DIMENSIONS

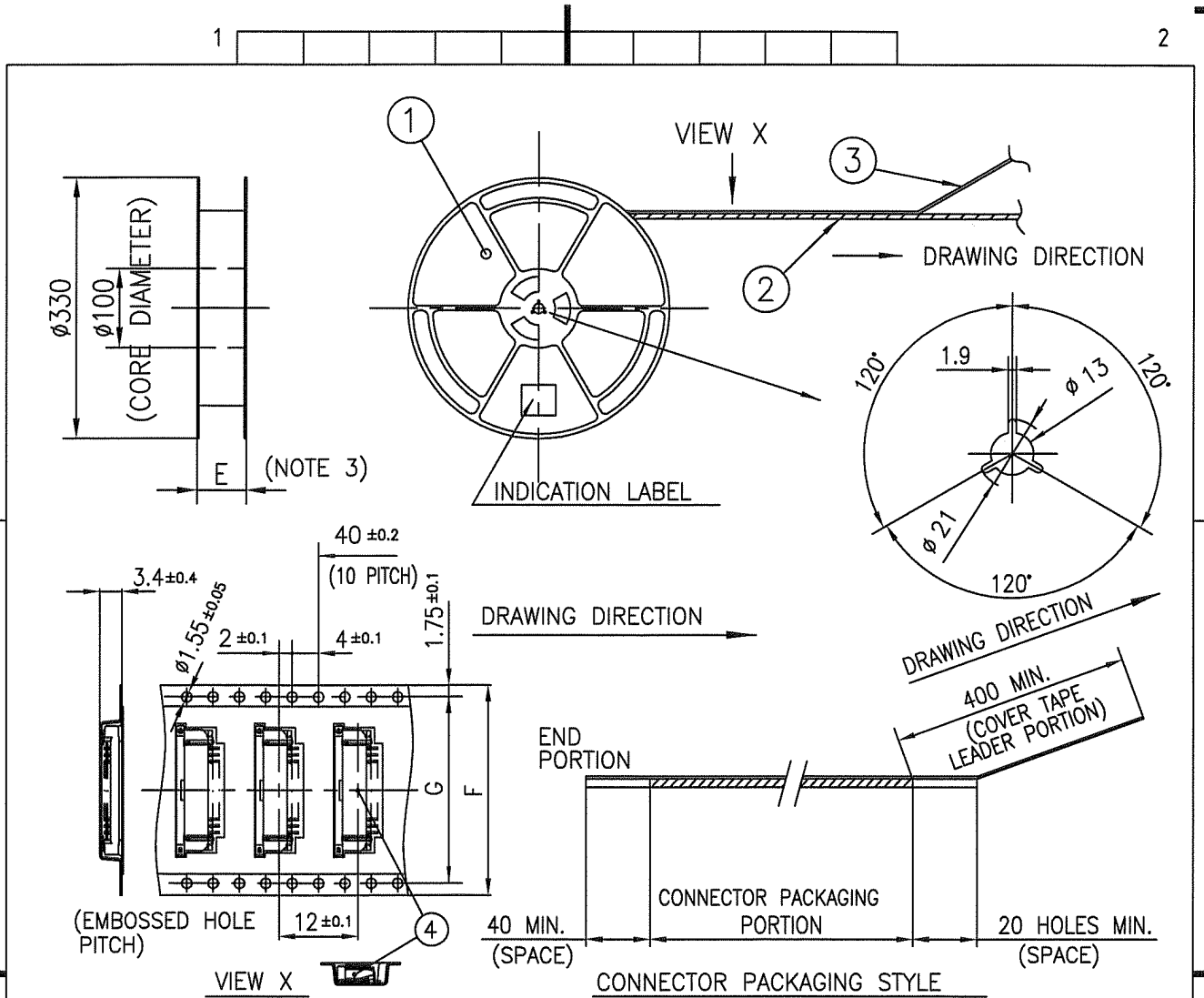
NO. OF CONTACTS (n)	CAT. NO. (NOTE2)	DIMENSIONS (NOTE3)		
		E MAX.	F ± 0.3	G ± 0.1
4	SFW4R-3/4STZE5LF	22.4	16	—
5	SFW5R-3/4STZE5LF	30.4	24	—
6	SFW6R-3/4STZE5LF	30.4	24	—
7	SFW7R-3/4STZE5LF	30.4	24	—
8	SFW8R-3/4STZE5LF	30.4	24	—
9	SFW9R-3/4STZE5LF	30.4	24	—
10	SFW10R-3/4STZE5LF	30.4	24	—
11	SFW11R-3/4STZE5LF	30.4	24	—
12	SFW12R-3/4STZE5LF	30.4	24	—
13	SFW13R-3/4STZE5LF	38.4	32	28.4
14	SFW14R-3/4STZE5LF	38.4	32	28.4
15	SFW15R-3/4STZE5LF	38.4	32	28.4
16	SFW16R-3/4STZE5LF	38.4	32	28.4
17	SFW17R-3/4STZE5LF	50.4	44	40.4
18	SFW18R-3/4STZE5LF	50.4	44	40.4
19	SFW19R-3/4STZE5LF	50.4	44	40.4
20	SFW20R-3/4STZE5LF	50.4	44	40.4
21	SFW21R-3/4STZE5LF	50.4	44	40.4
22	SFW22R-3/4STZE5LF	50.4	44	40.4
23	SFW23R-3/4STZE5LF	50.4	44	40.4
24	SFW24R-3/4STZE5LF	50.4	44	40.4
25	SFW25R-3/4STZE5LF	50.4	44	40.4
26	SFW26R-3/4STZE5LF	50.4	44	40.4
27	SFW27R-3/4STZE5LF	50.4	44	40.4
28	SFW28R-3/4STZE5LF	62.4	56	52.4
29	SFW29R-3/4STZE5LF	62.4	56	52.4
30	SFW30R-3/4STZE5LF	62.4	56	52.4



NOTES

1. THIS PRODUCT IS THE CONNECTOR USED FOR FPC/FFC AND COPER WITH AUTOMATIC MOUNTING (SMT).
2. THIS CATALOG NO. INDICATES PLASTIC TAPE PACKAGED CONNECTOR.
3. SEE PART DRAWINGS FOR DIMENSIONS E~G.
4. THIS PRODUCT IS THE CONNECTOR WITH CABLE LOCK MECHANISM.

mat'l. code				surface 58/ISO 1302		tolerance ISO 406/ISO 1101		projection		product family 58RF		CODE JP	
ltr ecn no dr date				tolerances unless otherwise specified		angles linear		mm		title CAT NO. TABLE FOR PLASTIC TAPE PACKAGED 1mm SPACING SMT CONNECTOR (Cat. No. SFW__R-3/4STZE5LF)			
c				dr H.YAMASHITA 2009-10-27		enrg M.YAMASHITA 2009-10-27		chr S. Kishino 2009-10-27		appd S. Oshida 2009-10-27		dwg no sheet 5 of 9 size 10091601 A4	
sheet index				revision sheet						type Product Customer Drawing		Rev. c	

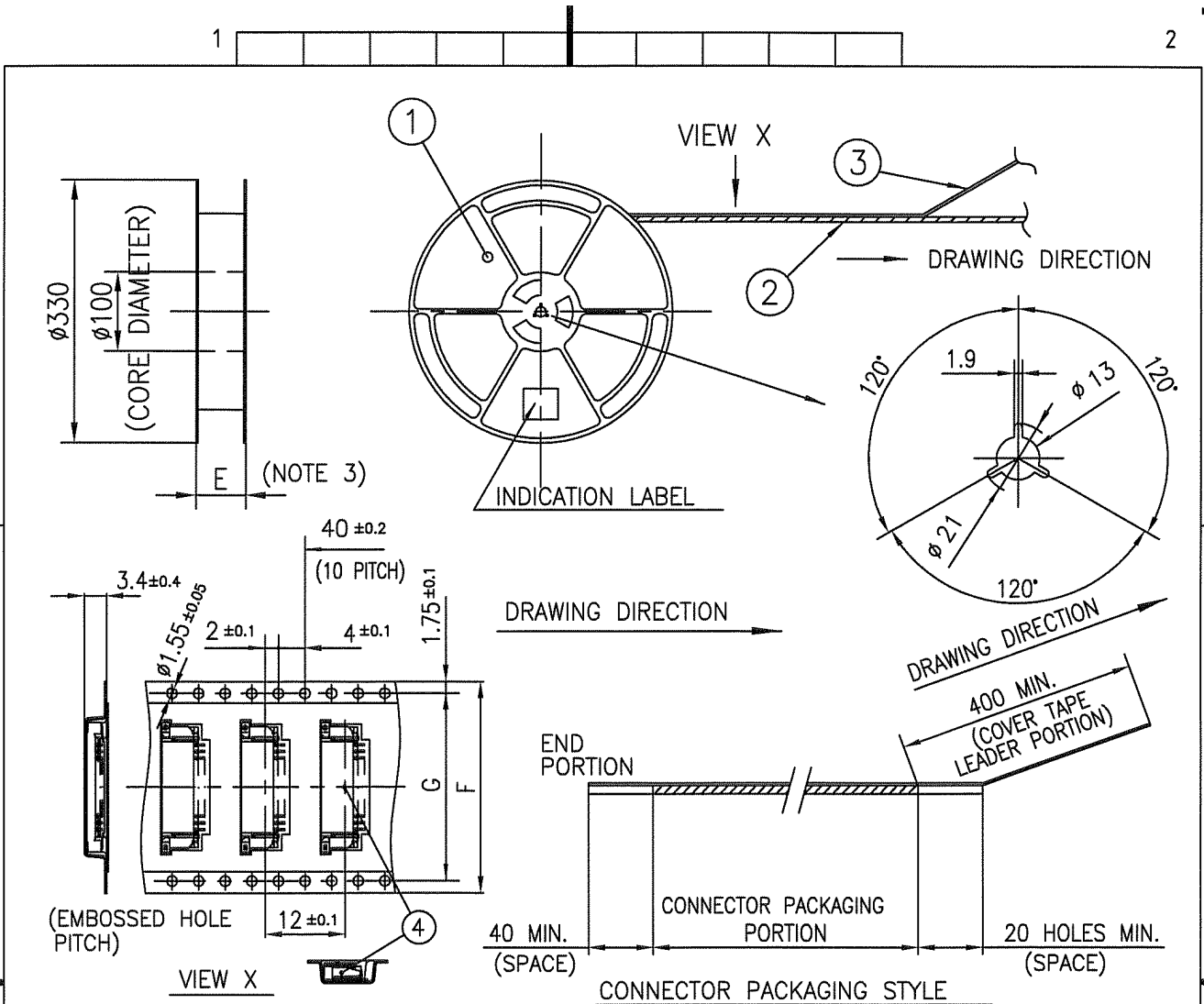


PT. NO.	PARTS NAME	CAT. NO.	MATERIAL	Q'TY	NOTE
1	REEL	_____	POLYSTYRENE	1	COLOR : WHITE/BLACK
2	PLASTIC (EMBOSS) TAPE	_____	PET	_____	COLOR : TRANSPARENCY
3	COVER	_____	POLYESTER	_____	COLOR : TRANSPARENCY
4	CONNECTOR	SFW__R-3STZ__LF	SEE ATTACHED DWG.	1500	LOWER CONTACT TYPE

NOTES

- THIS IS PLASTIC TAPE PACKAGED CONNECTOR WITH CABLE LOCK MECHANISM USED FOR FPC/FFC AND COPES WITH AUTOMATIC MOUNTING (SMT).
- SEE JIS C 0806 (PACKING OF ELECTRONIC COMPONENTS ON CONTINUOUS TAPES (SURFACE MOUNTING DEVICES)) FOR SHAPE AND DIMENSIONS OF PLASTIC (EMBOSS) TAPE AND REEL.
- E DIMENSION IS PORTION OF THE CORE.

mat'l. code		surface ISO 1302 ✓		tolerance ISO 406 ISO 1101		projection		product family 58RF		CODE JP	
ltr		ecn no		dr		date		title		PLASTIC TAPE PACKAGED 1mm SPACING SMT CONNECTOR (Cat. No. SFW__R-3STZE5LF)	
c				angles ±5°		linear ±5		mm		scale X	
dr		M.YAMASHITA		2007-10-27		engr		M.YAMASHITA		2007-10-27	
chr		S. Watanabe		2007-10-27		appd		S. Madono		2007-10-27	
sheet index		revision sheet						dwg no 10091601		sheet 6 of 9 size A4	
								type Product Customer Drawing		Rev. C	



PT. NO.	PARTS NAME	CAT. NO.	MATERIAL	Q'TY	NOTE
1	REEL	_____	POLYSTYRENE	1	COLOR : WHITE/BLACK
2	PLASTIC (EMBOSS) TAPE	_____	PET	_____	COLOR : TRANSPARENCY
3	COVER	_____	POLYESTER	_____	COLOR : TRANSPARENCY
4	CONNECTOR	SFW__R-4STZ__LF	SEE ATTACHED DWG.	1500	UPPER CONTACT TYPE

NOTES

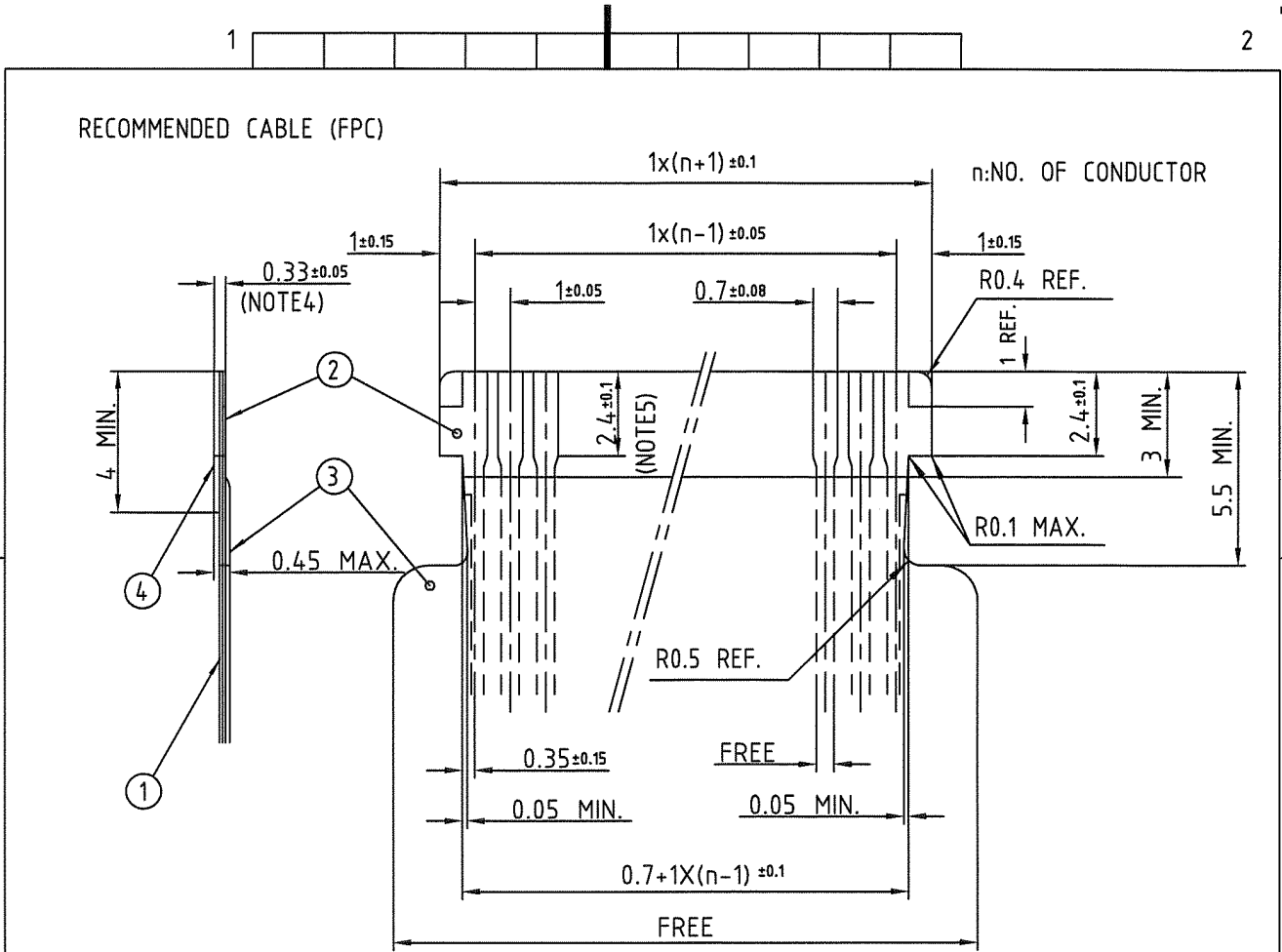
- THIS IS PLASTIC TAPE PACKAGED CONNECTOR WITH CABLE LOCK MECHANISM USED FOR FPC/FFC AND COPEs WITH AUTOMATIC MOUNTING (SMT).
- SEE JIS C 0806 (PACKING OF ELECTRONIC COMPONENTS ON CONTINUOUS TAPES (SURFACE MOUNTING DEVICES)) FOR SHAPE AND DIMENSIONS OF PLASTIC (EMBOSS) TAPE AND REEL.
- E DIMENSION IS PORTION OF THE CORE.

mat'l. code		surface ISO 1302 ✓		tolerance ISO 406 ISO 1101		projection		product family 58RF		CODE JP	
ltr	ecn no	dr	date	tolerances unless otherwise specified		mm		title PLASTIC TAPE PACKAGED 1mm SPACING SMT CONNECTOR (Cat. No. SFW__R-4STZE5LF)			
c				angles ±5'	Linear ±5	scale X		dwg no 10091601		sheet 7 of 9 size A4	
				dr H. YAMASHITA 2009-10-27	enr H. YAMASHITA 2009-10-27			type Product Customer Drawing		Rev. C	
				chr S. V. K. 2009-10-27	appd J. Chudamani 2009-10-27						
sheet index	revision sheet										

FCIconnect.com

Copyright FCI.

D



PT. NO.	PARTS NAME	MATERIAL	THICKNESS (um)
1	BASE FILM	POLYIMIDE OR POLYESTER OR EQUAL	25
2	CONDUCTOR	COPPER FOIL(PLATING : SOLDER 1um MIN.)	35
3	OVERLAY	POLYIMIDE OR POLYESTER OR EQUAL	—
4	SUPPORTING TAPE	POLYESTER OR POLYIMIDE OR EQUAL	188

- NOTES
1. THIS DRAWING INDICATES THE FPC USED THE CONNECTOR WITH CABLE LOCK MECHANISM.
 2. NO BURR AT EACH PORTION.
 3. NO PEELING IN COMMON USE.
 4. TOTAL THICKNESS LIMIT OF EACH MATERIAL (INCLUDING ADHESIVE AGENT) IS SPECIFIED.
 5. THIS DIMENSION INDICATES THE RANGE FOR 0.7 ± 0.08 CONDUCTOR WIDTH.
 6. A \triangle B SYMBOL WILL BE NEXT TO ANY DIMENSION, VIEW, OR NOTE WHICH HAS BEEN MODIFIED WITH THE CURRENT DRAWING REVISION.

mat'l. code				surface 58 <input checked="" type="checkbox"/> tolerance ISO 1302 <input checked="" type="checkbox"/> ISO 406 <input checked="" type="checkbox"/> ISO 1101		projection		product family 58RF		CODE JP	
ltr				tolerances unless otherwise specified		mm		title			
ecn no				angles		Linear		RECOMMENDED CABLE			
dr				Linear		scale X		(Cat. No. SFW_R-3/4_)			
date				dr		engr		dwg no		sheet 8 of 9	
				M.YAMASHITA		2009-10-27		10091601		size A4	
				M.YAMASHITA		2009-10-27		type		Product Customer Drawing	
				D. Nishida		2009-10-27					
				D. Nishida		2009-10-27					
sheet index		revision sheet								Rev. C	

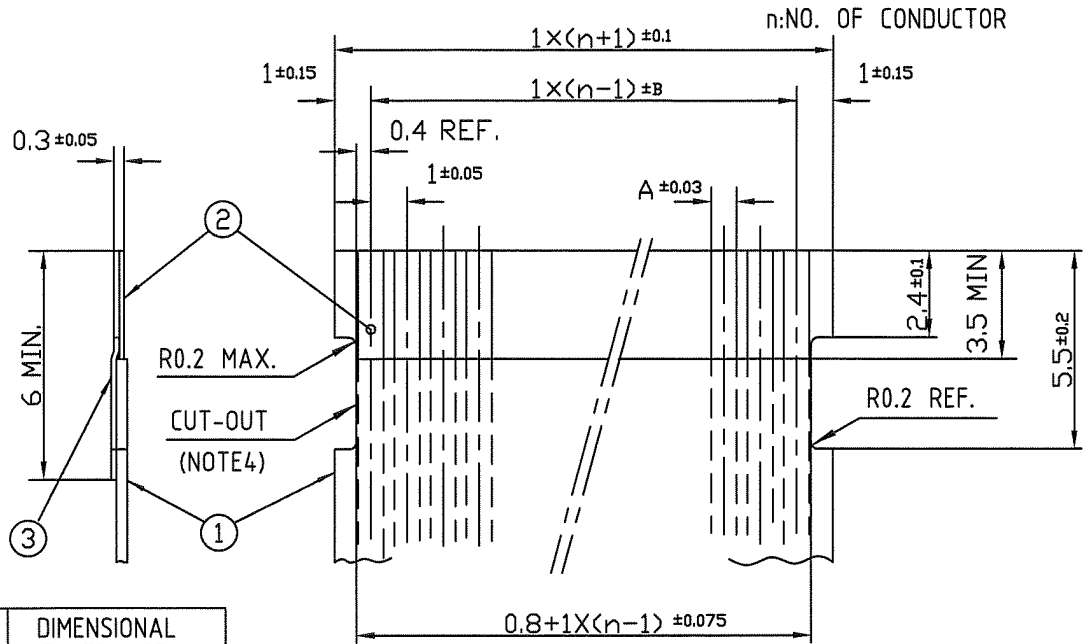


FCIconnect.com

Copyright FCI.



RECOMMENDED CABLE (FFC)



KIND OF FFC (NOTE5)	DIMENSIONAL TOLERANCE	
	A	B
1	0.7	0.1
2	0.6	0.07

PT. NO.	PARTS NAME	MATERIAL	NOTE
1	INSULATOR	FLAME RESISTING POLYESTER OR EQUAL	_____
2	CONDUCTOR	COPPER FOIL	PLATING:TIN OR SOLDER 1um MIN.
3	SUPPORTING TAPE	FLAME RESISTING POLYESTER OR EQUAL	_____

- NOTES
- THIS DRAWING INDICATES THE FFC USED THE CONNECTOR WITH CABLE LOCK MECHANISM.
 - NO BURR AT EACH PORTION.
 - NO PEELING IN COMMON USE.
 - THERE IS A POSSIBILITY THAT THE CAT-OUT CROSSES THE CONDUCTOR BECAUSE OF DIMENSIONAL TOLERANCE.
 - EITHER KIND1 OR KIND2 OF FFC CAN ACCEPT DIMENSIONAL TOLERANCE a AND b.
 - A \triangle B SYMBOL WILL BE NEXT TO ANY DIMENSION, VIEW, OR NOTE WHICH HAS BEEN MODIFIED WITH THE CURRENT DRAWING REVISION.

mat'l. code		surface 58 / tolerance ISO 1302 / ISO 406 / ISO 1101		projection		product family 58RF		CODE JP	
ltr		ecn no		dr		date		tolerances unless otherwise specified	
c								title	
				angles		linear		mm	
								scale X	
				dr		M. YAMASHITA 2009-10-27		dwg no	
				engr		M. YAMASHITA 2009-10-27		sheet 9 of 9	
				chr		S. Watanabe 2009-10-27		size	
				appd		S. Watanabe 2009-10-27		A4	
sheet index		revision sheet						type Product Customer Drawing	
								Rev. c	