

Excellent Integrated System Limited

Stocking Distributor

Click to view price, real time Inventory, Delivery & Lifecycle Information:

[FCI](#)

[SIP41430-001LF](#)

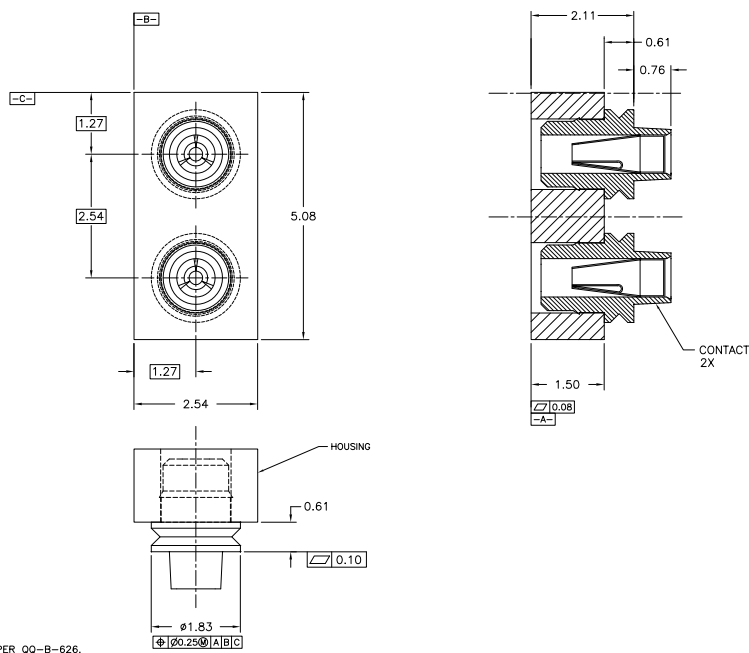
For any questions, you can email us directly:

sales@integrated-circuit.com

Tous droits strictement réservés. Reproduction ou communication à des tiers interdite sous quelque forme que ce soit sans autorisation écrite du propriétaire. Propriété de c FCI. Droits de reproduction FCI.

All rights strictly reserved. Reproduction or issue to third parties in any form whatever is not permitted without written authority from the proprietor. Property of FCI. Copyright FCI.

1	2	3	4
PRODUCT NUMBER	DESCRIPTION	HOUSING P/N	CONTACT P/N
SIP 41430-001	STANDARD VERSION (TIN/LEAD PLATING)	58826-001	SCR 002V
SIP 41430-001LF	LEAD-FREE VERSION (TIN ONLY OPTION)	58826-001	SCR 002VLF



- NOTES**
- CONTACT MATERIAL:**
OUTER SHELL: BRASS ALLOY 360, 1/2 HARD, PER QQ-B-626.
INNER CONTACT: BERYLLIUM COPPER, ALLOY 172, PER QQ-C-533.
 - CONTACT PLATING OPTIONS:**
A. TIN/LEAD OPTION
OUTER SHELL: 200µ" TIN/LEAD PER MIL-P-81728 TYPE 1,
OVER 100µ" NICKEL PER QQ-N-290.
INNER CONTACT: 200µ" TIN/LEAD PER MIL-P-81728 TYPE 1,
OVER 50µ" NICKEL PER QQ-N-290.
B. TIN OPTION
OUTER SHELL: 200µ" TIN
OVER 100µ" NICKEL PER QQ-N-290.
INNER CONTACT: 200µ" TIN,
OVER 50µ" NICKEL PER QQ-N-290.
 - INSULATOR MATERIAL:**
STANL (46 NYLON) BLACK
 - NO CRACKING OF THE INSULATOR IS ALLOWED, EITHER BETWEEN CONTACT POSITIONS OR BETWEEN CONTACT POSITION AND OUTER PERIMETER OF THE INSULATOR.**
 - TERMINAL RETENTION IN HOUSING: 2 LB. MINIMUM.**
 - PACKAGE PER QS-14-494.**

mat'l. code		tolerances unless otherwise specified		CUSTOMER COPY		FCI www.fciconnect.com	
ltr	ecn no	dr	date	linear	.X ±.3	projection	title
A	V05-0282	LP	4/7/05	linear	.XX ±.10		2 POS. SMT, SINGLE ROW REAR ENTRY SIP SOCKET
				angles	.XXX ±.050		product family
				dr	0° ±2'	MM	code
				enrg	L.POTTEIGER 4/7/05	scale	213
				chr	D.HORCHLER 4/7/05	4/1	sheet
				appd	D.HORCHLER 4/7/05		1 of 1
sheet index	revision sheet	A	1				cage code
							22526

ACAD