

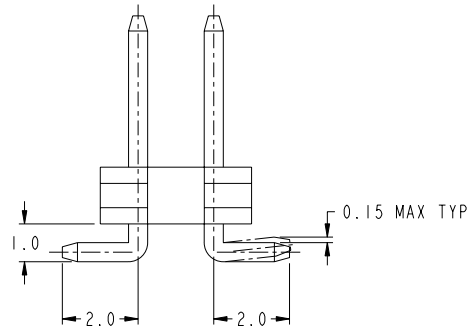
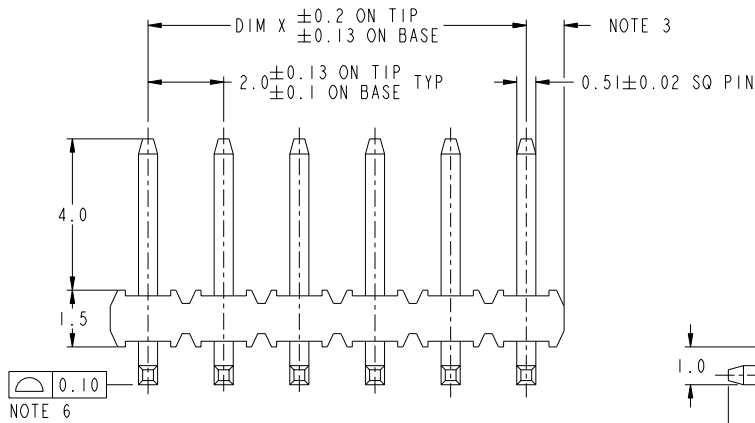
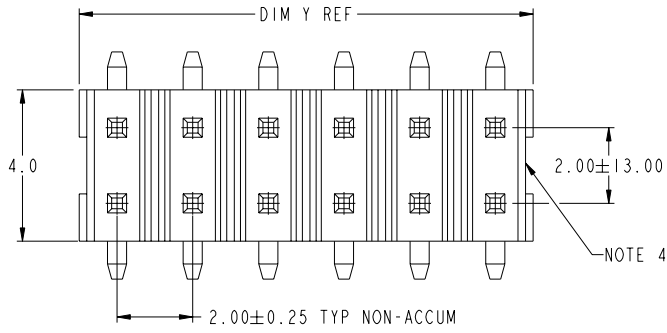
Excellent Integrated System Limited

Stocking Distributor

Click to view price, real time Inventory, Delivery & Lifecycle Information:

[FCI](#)
[94270-504TRLF](#)

For any questions, you can email us directly:
sales@integrated-circuit.com



CONFIDENTIAL

www.fciconnect.com		surface ISO 1302	tolerance std ISO 406 ISO 1101	projection MM	Scale 10:1
Dr ML CHWA 1994-10-24		TOLERANCES UNLESS OTHERWISE SPECIFIED		size A3	ECN S10-0205
Eng BS LOW 1994-10-27		ANGULAR	0.X ±	Spec ref	
Chr KH LEE 2010-01-13		LINEAR	0.XX ±0.25	-	
Appr JOEY NG 2010-01-13		0° ±*	0.XXX ±	-	
Product family		MINITEK		-	
TITLE MINITEK II SMT STR HEADER		Eng no 94270		Rev. C	
catalog no		CUSTOMER		sheet 1 of 2	

rev	ecn no	dr	date
A	S40256	BSL	1996-10-24
B	S05-0002	KBM	2005-01-05
C	S10-0205	PR	2010-01-13
-	-	-	-
-	-	-	-
-	-	-	-

REV F - 2004-08-17

1

2

3

PDM: Rev:C

STATUS Released

Printed: Oct 12, 2010

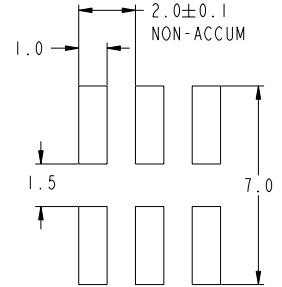


Copyright FCI.

PRODUCT NO.	POS	DIM X	DIM Y
94270-X04	2X2	2	4
-X06	2X3	4	6
-X08	2X4	6	8
-X10	2X5	8	10
-X12	2X6	10	12
-X14	2X7	12	14
-X16	2X8	14	16
-X18	2X9	16	18
-X20	2X10	18	20
-X22	2X11	20	22
-X24	2X12	22	24
-X26	2X13	24	26
-X28	2X14	26	28
-X30	2X15	28	30
-X32	2X16	30	32
-X34	2X17	32	34
-X36	2X18	34	36
-X38	2X19	36	38
-X40	2X20	38	40
-X42	2X21	40	42
-X44	2X22	42	44
-X46	2X23	44	46
-X48	2X24	46	48
-X50	2X25	48	50

- ⑥. COPLANARITY OF SOLDER LEADS TO BE WITHIN 0.10mm.
- ⑦. 94270-XXXLF IS SAME AS 94270-XXX. THE SUFFIX 'LF' IS ADDED JUST FOR EASY LEAD FREE IDENTIFICATION.
- 8. THE HOUSING WILL WITHSTAND EXPOSURE TO 255°C PEAK TEMPERATURE FOR 10 SECONDS IN A CONVECTION, INFRA-RED OR VAPOR PHASE REFLOW OVEN.
- 9. THE HOUSING WILL WITHSTAND EXPOSURE TO 260°C PEAK TEMPERATURE FOR 10 SECONDS IN A WAVE SOLDER APPLICATION WITH A 1.57MM MINIMUM THICK CIRCUIT BOARD.
- 10. THIS PRODUCT MEETS EUROPEAN UNION DIRECTIVES AND OTHER COUNTRY REGULATIONS AS DESCRIBED IN GS-22-008.
- ①①. A \triangle SYMBOL WILL BE NEXT TO ANY DIMENSION, VIEW OR NOTE WHICH HAS BEEN MODIFIED WITH THE CURRENT DRAWING REVISION.

PLATING	DESCRIPTION
0	0.2 μ m Au OVER Ni
1	0.76 μ m Au OVER Ni
3	0.38 μ m Au OVER Ni
5	0.38 μ m PdNi W Au FLASH OVER Ni
6	0.76 μ m PdNi W Au FLASH OVER Ni



RECOMMENDED PAD LAYOUT

PART NUMBER INFORMATION

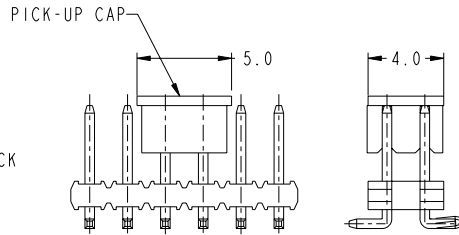
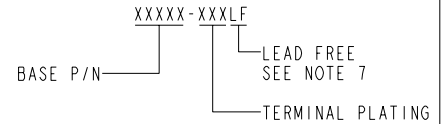


FIG. 1
NOTE 5(c)
SCALE 5:1

NOTES:

- 1. MATERIAL:
BODY : HIGH TEMPERATURE PLASTIC UL 94V-0 BLACK
PIN : COPPER ALLOY
- 2. TOLERANCE UNLESS OTHERWISE NOTED ± 0.25
- ③ DIM 1.0 ± 0.15 APPLIES TO MOLDED SIDE(S) ONLY. IF SIDE(S) ARE BROKEN, DIM 1.5 MAX APPLIES.
- ④ RECESS APPLIES TO MOLDED SIDE(S) ONLY.
- ⑤ PACKAGING:
a) STANDARD PACKAGING IN PLASTIC BAG.
b) SPECIFY 94270-XXXT FOR TUBE PACKAGING.
c) SPECIFY 94270-XXXTR FOR TAP AND REEL PACKAGING.
A PICK-UP CAP IS PROVIDED IN THE CENTRE OF THE PRODUCT (SEE FIG.1) FOR PICK AND PLACE APPLICATION. PLEASE CHECK WITH FACTORY ON AVAILABILITY OF TAPE & REEL PACKAGING.

CONFIDENTIAL

www.fciconnect.com		surface ISO 1302	tolerance std ISO 406 ISO 1101	projection MM
		TOLERANCES UNLESS OTHERWISE SPECIFIED		
Dr	ML CHWA	1994-10-24	ANGULAR	0.x \pm
Eng	BS LOW	1994-10-27	LINEAR	0.xx ± 0.25
Chr	KH LEE	2010-01-13	0° \pm^*	0.xxx \pm
Appr	JOEY NG	2010-01-13	Product family	MINITEK
			size	A3
			Scale	10:1
			ECN	S10-0205
			Spec ref	-
FCI MINITEK II SMT STR HEADER catalog no		Eng no		94270
		CUSTOMER		sheet 2 of 2