

Excellent Integrated System Limited

Stocking Distributor

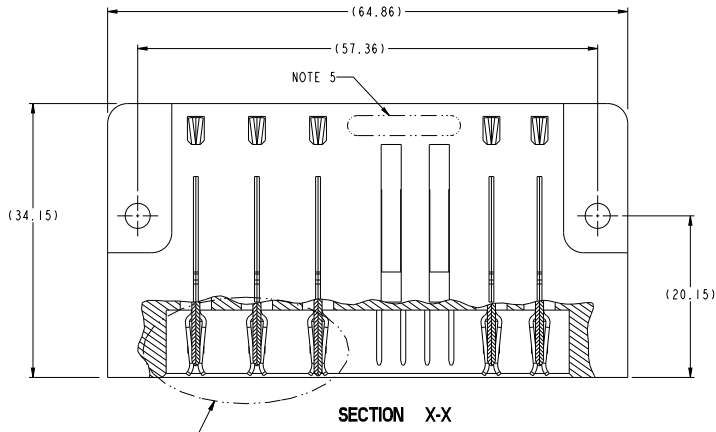
Click to view price, real time Inventory, Delivery & Lifecycle Information:

[FCI](#)

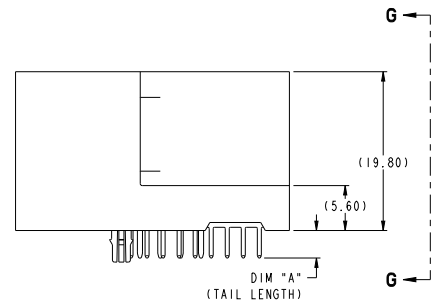
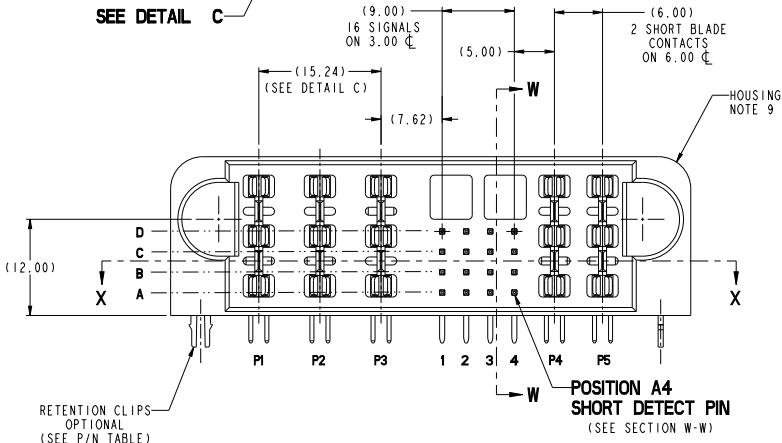
[10091479-003LF](#)

For any questions, you can email us directly:

sales@integrated-circuit.com



SEE DETAIL C



spec ref	-	dr	Richard Smith	approved	projection	MM	size	A2	scale	1:1
tolerance std	ASME Y14.5	eng	Richard Smith	checked	product family		acc no		rel level	Released
TOLERANCES UNLESS OTHERWISE SPECIFIED		chr	Richard Smith	approved	R/A HDR ASSY 3AC-16S-2DC		10091479			B
surface	linear	0.1	±0.5		HCL POWER CONNECTOR					
	0.2X	±0.25								
	0.2XX	±0.10								
ASME Y14.5	angular	0°	±2°	www.fci.com	cat. no.		Product	Customer Draw	sheet 1 of 5	

PDS: Rev: B

STATUS: Released

Printed: Dec 29, 2014

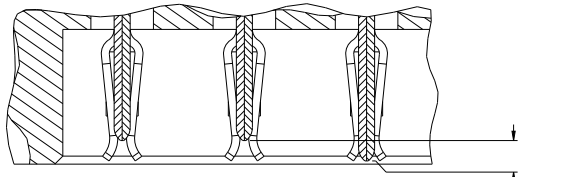
2

3

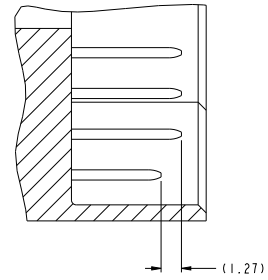
4

5

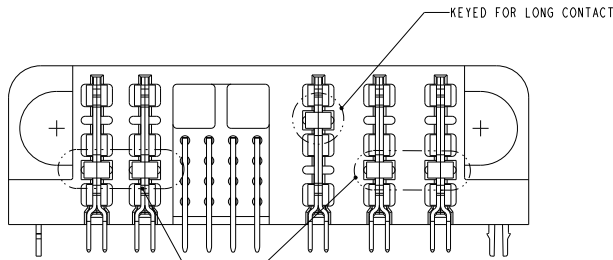
Copyright FCI



DETAIL C
SCALE 6:1
POWER MATING
SEQUENCE



SECTION W-W
SCALE 6:1
SIGNAL MATING
SEQUENCE



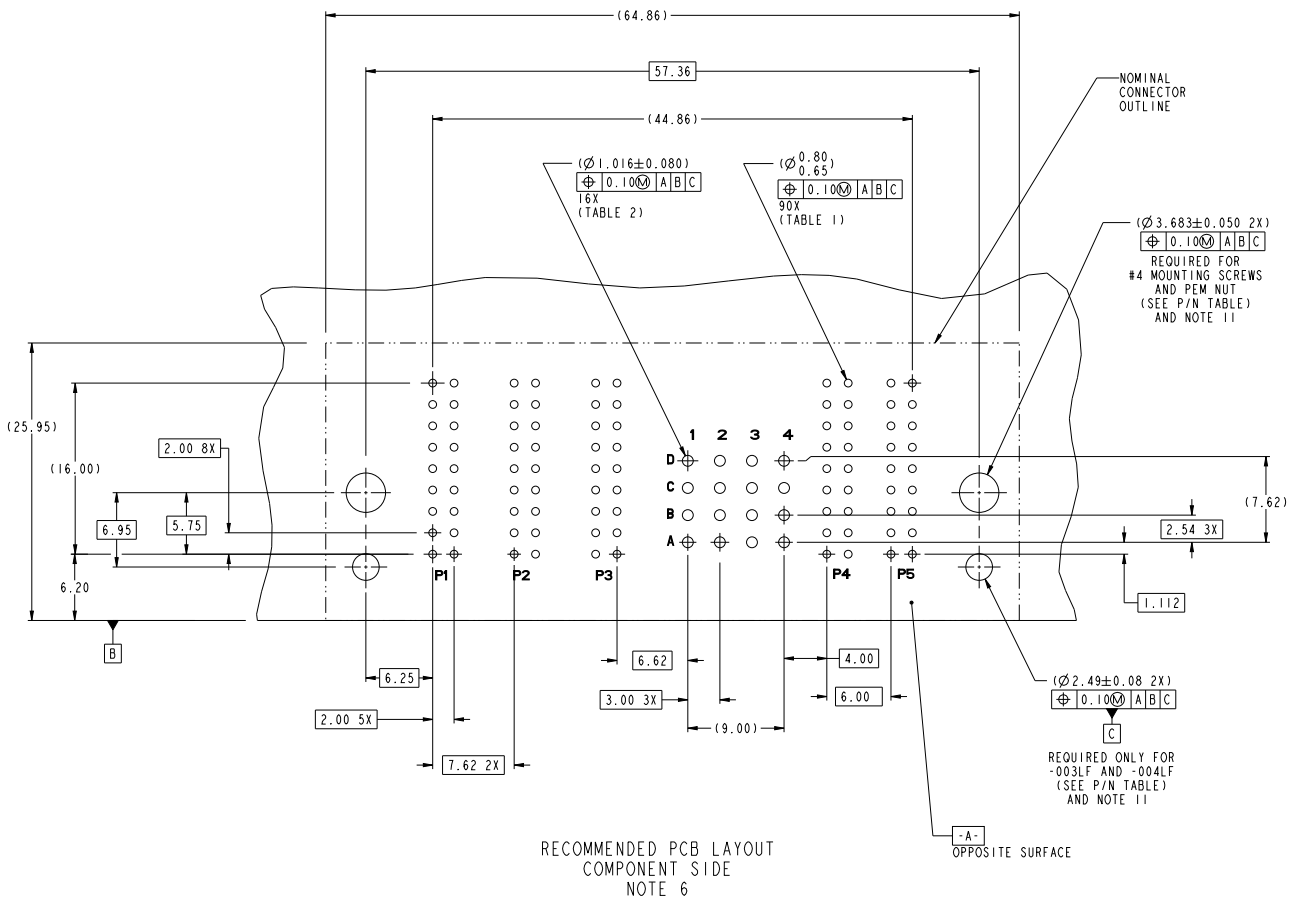
KEYED FOR LONG CONTACT
KEYED FOR SHORT CONTACTS
4X
VIEW G-G

dr: WenHua.Du	designed by: WenHua.Du	projection	MM	size	A2	scale	1:1
eng: WenHua.Du	checked by: WenHua.Du			acc no	10091479-003LF-0001		
chr: WenHua.Du	approved by: WenHua.Du			product family			
oppr: WenHua.Du	approved by: WenHua.Du			R/A HDR ASSY 3AC-16S-2DC		10091479	rev B
FCI www.fci.com		HCL POWER CONNECTOR		Product - Customer Draw		sheet 2 of 5	

PDS: Rev : B

STATUS: Released

Printed: Dec 29, 2014



RECOMMENDED PCB LAYOUT
COMPONENT SIDE
NOTE 6

dr: HuiFang.Du	approval: JINSHAN	projection:	MM	size: A2	scale: 2:1
eng: HuiFang	checked: JINSHAN			acc no:	
appr: HuiFang.Du	approved: JINSHAN	product family:		rel level:	Released
	R/A HDR ASSY 3AC-16S-2DC	part no:	10091479	rev:	B
www.fci.com	HCI POWER CONNECTOR	cat. no.:		Product:	Customer Draw

PDS: 6 rev : B

STATUS: Released

Printed: Dec 29, 2014

Copyright FCI

A
B
C
D
E
F

A
B
C
D
E
F

TOP LAYER DESCRIPTION	TABLE 1 (HCI POWER) PLATED THROUGH-HOLE REQUIREMENTS							
	DRILLED HOLE DIAMETER	COPPER THICKNESS	TIN-LEAD THICKNESS	NICKEL THICKNESS	GOLD THICKNESS	TIN THICKNESS	SILVER THICKNESS	FINISHED HOLE DIAMETER
TIN-LEAD	0.81-0.86 (0.85 DRILL)	0.025 - 0.050	0.005 - 0.015	--	--	--	--	0.65 - 0.80
IMMERSION TIN	0.81-0.86 (0.85 DRILL)	0.025 - 0.050	--	--	--	0.9 - 1.5um	--	0.70 - 0.80
IMMERSION SILVER	0.81-0.86 (0.85 DRILL)	0.025 - 0.050	--	--	--	--	0.15 - 0.65um	0.70 - 0.80
COPPER (SEE NOTE 9)	0.81-0.86 (0.85 DRILL)	0.025 - 0.050	--	--	--	--	--	0.70 - 0.80
GOLD	0.81-0.86 (0.85 DRILL)	0.025 - 0.050	--	0.003 - 0.007	FLASH UP TO 0.0002	--	--	0.69 - 0.80

TOP LAYER DESCRIPTION	TABLE 2 (HPC SIGNALS) PLATED THROUGH-HOLE REQUIREMENTS							
	DRILLED HOLE DIAMETER	COPPER THICKNESS	TIN-LEAD THICKNESS	NICKEL THICKNESS	GOLD THICKNESS	TIN THICKNESS	SILVER THICKNESS	FINISHED HOLE DIAMETER
TIN-LEAD	1.125-1.175 ($\varnothing .0453 \pm .0010$)	0.025-0.050	0.005-0.015	--	--	--	--	0.94 - 1.10 ($\varnothing .040 \pm .003$)
IMMERSION TIN			--	--	--	--	--	
IMMERSION SILVER			--	--	--	--	--	
COPPER (SEE NOTE 9)			--	--	--	--	--	
GOLD			--	--	--	--	--	

Copyright FCI

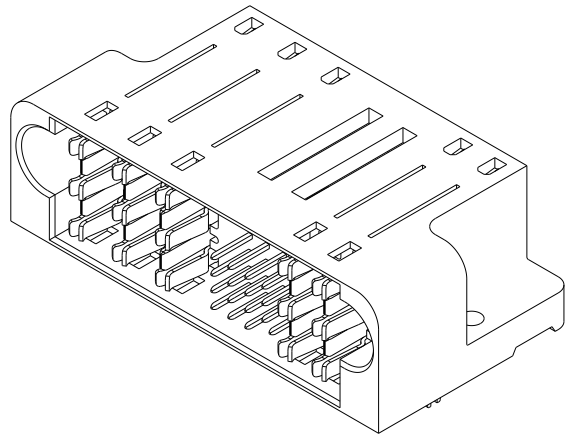
dr: <small>Yan-Hong-Du</small>	designed	projection	MM	size	A2	scale	2:1
eng: <small>Yan-Hong-Du</small>	checked			acc no		rel level	Released
chr: <small>Yan-Hong-Du</small>	approved			product family			
appr: <small>Yan-Hong-Du</small>	approved						
	R/A HDR ASSY 3AC-16S-2DC				10091479		rev B
www.fci.com	HCI POWER CONNECTOR						

PDS: Rev: B

STATUS: Released

Printed: Dec 29, 2014

PART NUMBER	RETENTION CLIPS	#4 SCREW	DIM A (TAIL LENGTH)	TAIL TYPE
10091479-001LF	NO	YES	3.43	SOLDER TAIL
10091479-002LF	NO	YES	4.70	SOLDER TAIL
10091479-003LF	YES	NO	3.43	SOLDER TAIL
10091479-004LF	YES	NO	4.70	SOLDER TAIL



NOTES:

1. CONNECTOR MATERIALS:
HOUSING: HIGH TEMPERATURE THERMOPLASTIC, BLACK
UL 94V-0 COMPLIANT
CONTACTS: HIGH PERFORMANCE COPPER ALLOY
2. CONTACT FINISH (REF. GS-12-380 SECTION 5.2)
3. PRODUCT SPECIFICATION: GS-12-380.
4. APPLICATION SPECIFICATION: GS-20-070.
5. PRODUCT MARKING (PRODUCT NUMBER & DATE CODE) ON HOUSING IN AREA SHOWN.
6. MINIMUM NOMINAL PCB THICKNESS: 1.6mm
7. PACKAGING MEETS FCI SPECIFICATION GS-14-1073.
8. HOUSING COMPONENT WILL WITHSTAND EXPOSURE TO 260°C PEAK TEMPERATURE FOR 60 SECONDS IN A CONVECTION, INFRA-RED, OR VAPOR PHASE REFLOW OVEN.
9. COPPER PLATING THICKNESS IN CENTER OF VIA-HOLE CAN BE NO MORE THAN 0.003 LESS THAN OTHER AREAS.
10. ALL HOLE SIZES ARE FINISHED HOLE SIZES.
11. MOUNTING HOLES ARE UNPLATED.

dr: Yi-Hsiang Shieh	designed by: Yi-Hsiang Shieh	projection:	MM	size: A2	scale: 1:1
eng: Yi-Hsiang Shieh	checked by: Yi-Hsiang Shieh	product family: FCI		acc no:	rel level: Released
appr: Yi-Hsiang Shieh	approved by: Yi-Hsiang Shieh	R/A HDR ASSY 3AC-16S-2DC		10091479	rev: B
www.fci.com		FCI HCT POWER CONNECTOR		Product - Customer Draw sheet 5 of 5	

PDS: Rev: B

STATUS: Released

Printed: Dec 29, 2014

Copyright FCI