

Excellent Integrated System Limited

Stocking Distributor

Click to view price, real time Inventory, Delivery & Lifecycle Information:

[FCI](#)

[67916-091LF](#)

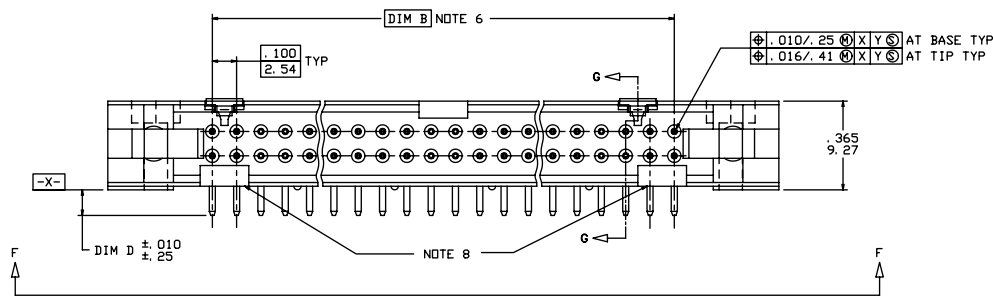
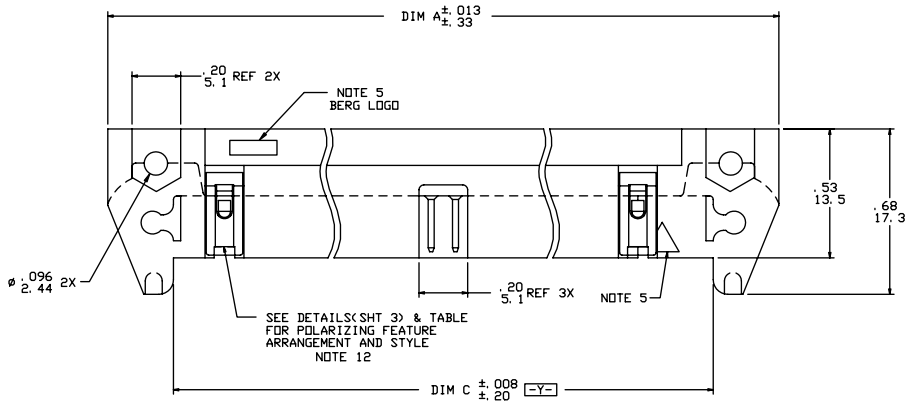
For any questions, you can email us directly:

sales@integrated-circuit.com

Tous droits strictement réservés. Reproduction ou communication à des tiers interdite sous quelque forme que ce soit sans autorisation écrite du propriétaire. Property of FCI. Droits de reproduction FCI.



All rights strictly reserved. Reproduction or issue to third parties in any form whatever is not permitted without written authority from the proprietor. Property of FCI. Copyright FCI.



mat'l. code				tolerances unless otherwise specified				CUSTOMER COPY				FCI www.fciconnect.com							
ltr	ecm no	dr	date	linear	.XX±.01/XX±.3	projection					title HEADER, QUICKIE SEA, HORSE, RIGHT ANGLE								
D	N05-0130	ZC	5/20/05		.XXX±.005/XX±.13	INCH/MM													
E	N07-0151	WG	08/01/07	angles	.XXX±.0020/XXX±.051	scale	product family QUICKIE				code - sheet 1 of 20								
				dr	0°±2°	5:1													
				enrg	J. SHREINER 1/16/90		A 67916												
				chr	M. SMYK 1/16/90														
				appd	M. SMYK 1/16/90														
sheet index	revision sheet	E	E	E	E	E	E	E	E	E	E	E	E	E	E	E	E	E	E

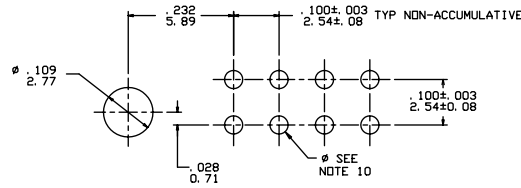
PDM: Rev:E

STATUS: Released

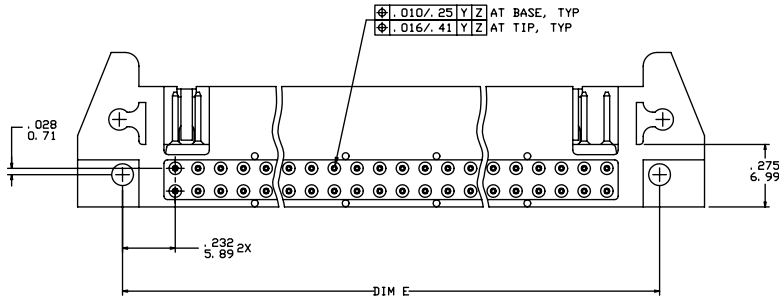
Printed: Apr 12, 2011

Tous droits strictement réservés. Reproduction ou communication à des tiers interdite sous quelque forme que ce soit sans autorisation écrite du propriétaire. Propriété de c FCI. Droits de reproduction FCI.

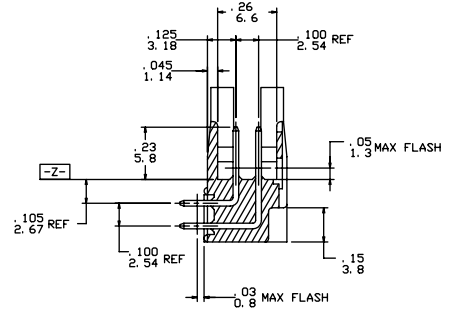
All rights strictly reserved. Reproduction or issue to third parties in any form whatsoever is not permitted without written authority from the proprietor. Property of FCI. Copyright FCI.



RECOMMENDED HOLE PATTERN
SCALE 10: 1



VIEW F-F



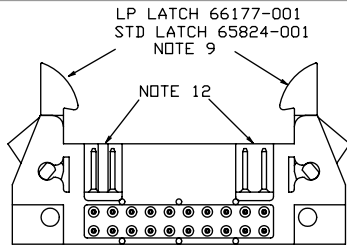
SECTION G-G
ROTATED 90° CW

mat'l. code		tolerances unless otherwise specified		CUSTOMER COPY		FCI		www.fciconnect.com	
ltr	ecn no	dr	date	linear	projection	title		HEADER, QUICKIE	
E				.XX±.01/.X±.3		SEA, HORSE, RIGHT ANGLE		code	
				.XXX±.005/.XX±.13		INCH/MM	product family		QUICKIE
				.XXX±.0020/.XXX±.051	scale	size		dwg no	
				angles	5:1	A		67916	
				dr J. SHREINER				sheet	
				enrg M. SMYK				2 of 20	
				chr M. SMYK					
				appd M. SMYK					
sheet index	revision sheet								

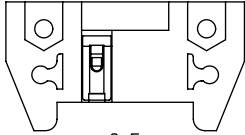
PDM: Rev:E

STATUS: Released

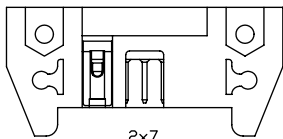
Printed: Apr 12, 2011



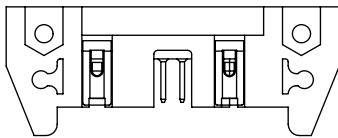
HEADER WITH LATCHES



2x5
STYLE B



2x7
STYLE C



2x8 THRU 2x30
(2x10 SHOWN)
STYLE D

NOTES:

- ① RECOMMENDED MOUNTING SCREW SIZE: #2-56 FILLISTER HD MACH SCREW.
- ② MOLDING MATERIAL: 30% GLASS FILLED POLYESTER, FLAME RETARDANT PER UL-94V-0, COLOR-BLUE
- ③ PIN MAT'L: 3/4 HARD PHOS BRONZE ALLOY UNS C-51000.
4. 1* MAX DRAFT PERMISSIBLE ON ALL SURFACES UNLESS OTHERWISE SPECIFIED.
- ⑤ LOGO AND TRIANGLE LOCATION TO BE OPTIONAL.
- ⑥ [DIM B] SHALL BE LOCATED SYMMETRICAL TO DATUM -Y-.
7. PLATING ON LEAD-IN PORTION OF PINS IS MANUFACTURING OPTION.
- ⑧ THESE SLOTS DO NOT EXIST ON 2 X 5 AND 2 X 7 SIZES.
- ⑨ THE LATCHES THAT ARE INSTALLED IN SOME HEADERS MUST WITHSTAND A PUSHOUT FORCE OF 2.0 LBS MIN WHILE IN THE INSTALLATION POSITION.
- 10 .040±.003/ 1.02±.08 DIA. HOLE TYP FOR SQ PINS. .035±.003/.89±.08 DIA HOLE TYP FOR ROUND PINS.
- 11 RETENTION FEATURE AVAILABLE ON ROUND PIN P/N'S ONLY. RETENTION PIN INCLUDE THE LETTER "R" AFTER THE EXISTING P/N.
EXAMPLE: 67916-XXX FOR EXISTING P/N
67916-XXXR FOR RETENTION P/N
15 LBS/6.8 KG MAX INSERTION AND .25 LB/.1 KG MIN RETENTION FORCE WHEN USED IN .035±.003/.89±.08 DIA HOLES AND .062/1.57 THICK PC BOARD.
RETENTION FEATURE LOCATION IS MANUFACTURERS OPTION.
- 10 .040±.003/ 1.02±.08 DIA. HOLE TYP FOR SQ PINS. .035±.003/.89±.08 DIA HOLE TYP FOR ROUND PINS.
12. THE HOUSING OF XXXXX-XYLF WILL WITHSTAND EXPOSURE TO 260°C PEAK TEMPERATURE FOR 10 SECONDS IN A WAVE SOLDER PROCESS.
13. PLATING OPTION: MAYBE EITHER GLOD OR GXT PLATING AT MANUFACTURER'S OPTION

mat'l. code		tolerances unless otherwise specified		CUSTOMER COPY		FCJ www.fciconnect.com	
ltr	ecn no	dr	date	linear	projection	title	
E				.XX±.01/.X±.3 .XXX±.005/.XX±.13 .XXXX±.0020/.XXX±.051	⊕	HEADER, QUICKIE SEA, HORSE, RIGHT ANGLE	
				angles	INCH/MM	product family	code
				dr J. SHREINER 7/16/90 enrg M. SMYK 7/16/90 chr M. SMYK 7/16/90 appd M. SMYK 7/16/90	5:1	QUICKIE	-
sheet index	revision sheet					size	sheet
1	2					dwg no	3 of 20
						67916	

PDM: Rev:E

STATUS: Released

Printed: Apr 12, 2011

Tous droits strictement réservés. Reproduction ou communication à des tiers interdite sous quelque forme que ce soit sans autorisation écrite du propriétaire. Propriété de c FCI. Droits de reproduction FCI.



All rights strictly reserved. Reproduction or issue to third parties in any form whatsoever is not permitted without written authority from the proprietor. Property of FCI. Copyright FCI.

Tous droits strictement réservés. Reproduction ou communication à des tiers interdite sous quelque forme que ce soit sans autorisation écrite du propriétaire. Propriété de FCI. Prohibé de reproduction FCI.



All rights strictly reserved. Reproduction or issue to third parties in any form whatsoever is not permitted without written authority from the proprietor. Property of FCI. Copyright FCI.

PRODUCT NO.	SIZE	LATCHES NOTE 9	PIN SHAPE	DIM A	DIM B	DIM C	DIM D	DIM E	TERMINAL PLATING NOTE 13	STYLE
67916-001(LF)									UNASSIGNED	
-002(LF)									UNASSIGNED	
-003(LF)									UNASSIGNED	
-004(LF)									UNASSIGNED	
-005(LF)									UNASSIGNED	
-006(LF)									UNASSIGNED	
-007(LF)	2x7	NO	RND	1.46/37.08	.600/15.24	.920/23.37	.105/2.67	1.06/26.92	30u"/.76u Au OVER 50u"/1.27u Ni	C
-008(LF)			SQ				.105/2.67		150u"/3.81u Sn	
-009(LF)			RND				.150/3.81		30u"/.76u Au OVER 50u"/1.27u Ni	
-010(LF)			SQ				.150/3.81		150u"/3.81u Sn	
-011(LF)			SQ				.675/17.15		30u"/.76u Au OVER 50u"/1.27u Ni	
-012(LF)	2x7		SQ	1.46/37.08	.600/15.24	.920/23.37	.675/17.15	1.06/26.92	150u"/3.81u Sn	C
-013(LF)	2x8		RND	1.56/39.62	.700/17.78	1.020/25.91	.105/2.67	1.16/29.46	30u"/.76u Au OVER 50u"/1.27u Ni	D
-014(LF)			SQ				.105/2.67		150u"/3.81u Sn	
-015(LF)			RND				.150/3.81		30u"/.76u Au OVER 50u"/1.27u Ni	
-016(LF)			SQ				.150/3.81		150u"/3.81u Sn	
-017(LF)			SQ				.675/17.15		30u"/.76u Au OVER 50u"/1.27u Ni	
-018(LF)	2x8		SQ	1.56/39.62	.700/17.78	1.020/25.91	.675/17.15	1.16/29.46	150u"/3.81u Sn	
-019(LF)	2x10		RND	1.76/44.70	.900/22.86	1.220/30.99	.105/2.67	1.36/34.54	30u"/.76u Au OVER 50u"/1.27u Ni	
-020(LF)			SQ				.105/2.67		150u"/3.81u Sn	
-021(LF)			RND				.150/3.81		30u"/.76u Au OVER 50u"/1.27u Ni	
-022(LF)			SQ				.150/3.81		150u"/3.81u Sn	
-023(LF)			SQ				.675/17.15		30u"/.76u Au OVER 50u"/1.27u Ni	
-024(LF)	2x10		SQ	1.76/44.70	.900/22.86	1.220/30.99	.675/17.15	1.36/34.54	150u"/3.81u Sn	
-025(LF)	2x13		RND	2.06/52.32	1.200/30.48	1.520/38.61	.105/2.67	1.66/42.16	30u"/.76u Au OVER 50u"/1.27u Ni	
-026(LF)			SQ				.105/2.67		150u"/3.81u Sn	
-027(LF)			RND				.150/3.81		30u"/.76u Au OVER 50u"/1.27u Ni	
-028(LF)			SQ				.150/3.81		150u"/3.81u Sn	
-029(LF)			SQ				.675/17.15		30u"/.76u Au OVER 50u"/1.27u Ni	
-030(LF)	2x13		SQ	2.06/52.32	1.200/30.48	1.520/38.61	.675/17.15	1.66/42.16	150u"/3.81u Sn	
-031(LF)	2x17		RND	2.46/62.48	1.600/40.64	1.920/48.77	.105/2.67	2.06/52.32	30u"/.76u Au OVER 50u"/1.27u Ni	
-032(LF)			SQ				.105/2.67		150u"/3.81u Sn	
-033(LF)			RND				.150/3.81		30u"/.76u Au OVER 50u"/1.27u Ni	
-034(LF)			SQ				.150/3.81		150u"/3.81u Sn	
-035(LF)			SQ				.675/17.15		30u"/.76u Au OVER 50u"/1.27u Ni	
67916-036(LF)	2x17	NO	SQ	2.46/62.48	1.600/40.64	1.920/48.77	.675/17.15	2.06/52.32	150u"/3.81u Sn	D

mat'l. code		tolerances unless otherwise specified		CUSTOMER COPY		FCI www.fciconnect.com	
ltr	ecn no	dr	date	linear	.XX±.01/.XX±.3	projection	title
E					.XXX±.005/.XX±.13		HEADER, QUICKIE
				angles	.XXX±.0020/.XXX±.051	INCH/MM	SEA, HORSE, RIGHT ANGLE
				dr	0°±2°	scale	product family
				enrg	J. SHREINER 7/16/90	5:1	QUICKIE
				chr	M. SMYK 7/16/90		size
				appd	M. SMYK 7/16/90		dwg no
sheet index	revision sheet						code
							67916
							sheet 4 of 20

PDM: Rev:E

STATUS: Released

Printed: Apr 12, 2011

PRODUCT NO.	SIZE	LATCHES NOTE 9	PIN SHAPE	DIM A	DIM B	DIM C	DIM D	DIM E	TERMINAL PLATING NOTE 13	STYLE
67916-037 (LF)	2x20	NO	RND	2.76/70.10	1.900/48.26	2.220/56.39	.105/2.67	2.36/59.94	30u"/.76u Au OVER 50u"/1.27u Ni	D
-038 (LF)			SQ				.105/2.67		150u"/3.81u Sn	
-039 (LF)			RND				.150/3.81		30u"/.76u Au OVER 50u"/1.27u Ni	
-040 (LF)			SQ				.150/3.81		150u"/3.81u Sn	
-041 (LF)			SQ				.675/17.15		30u"/.76u Au OVER 50u"/1.27u Ni	
-042 (LF)	2x20		SQ	2.76/70.10	1.900/48.26	2.220/56.39	.675/17.15	2.36/59.94	150u"/3.81u Sn	
-043 (LF)	2x25		RND	3.26/82.80	2.400/60.96	2.720/69.09	.105/2.67	2.86/72.64	30u"/.76u Au OVER 50u"/1.27u Ni	
-044 (LF)			SQ				.105/2.67		150u"/3.81u Sn	
-045 (LF)			RND				.150/3.81		30u"/.76u Au OVER 50u"/1.27u Ni	
-046 (LF)			SQ				.150/3.81		150u"/3.81u Sn	
-047 (LF)			SQ				.675/17.15		30u"/.76u Au OVER 50u"/1.27u Ni	
-048 (LF)	2x25	NO	SQ	3.26/82.80	2.400/60.96	2.720/69.09	.675/17.15	2.86/72.64	150u"/3.81u Sn	D
-049 (LF)									UNAVAILABLE	
-050 (LF)									UNAVAILABLE	
-051 (LF)									UNAVAILABLE	
-052 (LF)									UNAVAILABLE	
-053 (LF)									UNAVAILABLE	
-054 (LF)									UNAVAILABLE	
-055 (LF)	2x7	STD	RND	1.46/37.08	.600/15.24	.920/23.37	.105/2.67	1.06/26.92	30u"/.76u Au OVER 50u"/1.27u Ni	C
-056 (LF)			SQ				.105/2.67		150u"/3.81u Sn	
-057 (LF)			RND				.150/3.81		30u"/.76u Au OVER 50u"/1.27u Ni	
-058 (LF)			SQ				.150/3.81		150u"/3.81u Sn	
-059 (LF)			SQ				.675/17.15		30u"/.76u Au OVER 50u"/1.27u Ni	
-060 (LF)	2x7		SQ	1.46/37.08	.600/15.24	.920/23.37	.675/17.15	1.06/26.92	150u"/3.81u Sn	C
-061 (LF)	2x8		RND	1.56/39.62	.700/17.78	1.020/25.91	.105/2.67	1.16/29.46	30u"/.76u Au OVER 50u"/1.27u Ni	D
-062 (LF)			SQ				.105/2.67		150u"/3.81u Sn	
-063 (LF)			RND				.150/3.81		30u"/.76u Au OVER 50u"/1.27u Ni	
-064 (LF)			SQ				.150/3.81		150u"/3.81u Sn	
-065 (LF)			SQ				.675/17.15		30u"/.76u Au OVER 50u"/1.27u Ni	
-066 (LF)	2x8		SQ	1.56/39.62	.700/17.78	1.020/25.91	.675/17.15	1.16/29.46	150u"/3.81u Sn	
-067 (LF)	2x10		RND	1.76/44.70	.900/22.86	1.220/30.99	.105/2.67	1.36/34.54	30u"/.76u Au OVER 50u"/1.27u Ni	
-068 (LF)			SQ				.105/2.67		150u"/3.81u Sn	
-069 (LF)			RND				.150/3.81		30u"/.76u Au OVER 50u"/1.27u Ni	
-070 (LF)			SQ				.150/3.81		150u"/3.81u Sn	
-071 (LF)			SQ				.675/17.15		30u"/.76u Au OVER 50u"/1.27u Ni	
67916-072 (LF)	2x10	STD	SQ	1.76/44.70	.900/22.86	1.220/30.99	.675/17.15	1.36/34.54	150u"/3.81u Sn	D

Tous droits strictement réservés. Reproduction ou communication à des tiers interdite sous quelque forme que ce soit sans autorisation écrite du propriétaire. Propriété de c FCI. Droits de reproduction FCI.



All rights strictly reserved. Reproduction or issue to third parties in any form whatsoever is not permitted without written authority from the proprietor. Property of FCI. Copyright FCI.

mat'l. code		tolerances unless otherwise specified		CUSTOMER COPY		FCI www.fciconnect.com		
ltr	ecn no	dr	date	linear	.XX±.01/.XX±.3	projection	title	
E					.XXX±.005/.XX±.13		HEADER, QUICKIE	
					.XXX±.0020/.XXX±.051		SEA, HORSE, RIGHT ANGLE	
				angles	0°±2°		product family	
				dr	J. SHREINER 7/16/90		QUICKIE	code
				enrg	M. SMYK 7/16/90	scale	size	
				chr	M. SMYK 7/16/90		5:1	dwg no
				appd	M. SMYK 7/16/90	A	67916	sheet
sheet	revision							5 of 20
index	sheet							

PDM: Rev:E

STATUS: Released

Printed: Apr 12, 2011

Tous droits strictement réservés. Reproduction ou communication à des tiers interdite sous quelque forme que ce soit sans autorisation écrite du propriétaire. Propriété de c FCI. Droits de reproduction FCI.



All rights strictly reserved. Reproduction or issue to third parties in any form whatsoever is not permitted without written authority from the proprietor. Property of FCI. Copyright FCI.

PRODUCT NO.	SIZE	LATCHES NOTE 9	PIN SHAPE	DIM A	DIM B	DIM C	DIM D	DIM E	TERMINAL PLATING NOTE 13	STYLE
67916-073(LF)	2x13	STD	RND	2.06/52.32	1.200/30.48	1.520/38.61	.105/2.67	1.66/42.16	30u"/.76u Au OVER 50U"/1.27u Ni	D
-074(LF)			SQ				.105/2.67		150u"/3.81u Sn	
-075(LF)			RND				.150/3.81		30u"/.76u Au OVER 50U"/1.27u Ni	
-076(LF)			SQ				.150/3.81		150u"/3.81u Sn	
-077(LF)			SQ				.675/17.15		30u"/.76u Au OVER 50U"/1.27u Ni	
-078(LF)	2x13		SQ	2.06/52.32	1.200/30.48	1.520/38.61	.675/17.15	1.66/42.16	150u"/3.81u Sn	
-079(LF)	2x17		RND	2.46/62.48	1.600/40.64	1.920/48.77	.105/2.67	2.06/52.32	30u"/.76u Au OVER 50U"/1.27u Ni	
-080(LF)			SQ				.105/2.67		150u"/3.81u Sn	
-081(LF)			RND				.150/3.81		30u"/.76u Au OVER 50U"/1.27u Ni	
-082(LF)			SQ				.150/3.81		150u"/3.81u Sn	
-083(LF)			SQ				.675/17.15		30u"/.76u Au OVER 50U"/1.27u Ni	
-084(LF)	2x17		SQ	2.46/62.48	1.600/40.64	1.920/48.77	.675/17.15	2.06/52.32	150u"/3.81u Sn	
-085(LF)	2x20		RND	2.76/70.10	1.900/48.26	2.220/56.39	.105/2.67	2.36/59.94	30u"/.76u Au OVER 50U"/1.27u Ni	
-086(LF)			SQ				.105/2.67		150u"/3.81u Sn	
-087(LF)			RND				.150/3.81		30u"/.76u Au OVER 50U"/1.27u Ni	
-088(LF)			SQ				.150/3.81		150u"/3.81u Sn	
-089(LF)			SQ				.675/17.15		30u"/.76u Au OVER 50U"/1.27u Ni	
-090(LF)	2x20		SQ	2.76/70.10	1.900/48.26	2.220/56.39	.675/17.15	2.36/59.94	150u"/3.81u Sn	
-091(LF)	2x25		RND	3.26/82.80	2.400/60.96	2.720/69.09	.105/2.67	2.86/72.64	30u"/.76u Au OVER 50U"/1.27u Ni	
-092(LF)			SQ				.105/2.67		150u"/3.81u Sn	
-093(LF)			RND				.150/3.81		30u"/.76u Au OVER 50U"/1.27u Ni	
-094(LF)			SQ				.150/3.81		150u"/3.81u Sn	
-095(LF)			SQ				.675/17.15		30u"/.76u Au OVER 50U"/1.27u Ni	
-096(LF)	2x25	STD	SQ	3.26/82.80	2.400/60.96	2.720/69.09	.675/17.15	2.86/72.64	150u"/3.81u Sn	
-097(LF)	2x30	NO	RND	3.76/95.50	2.900/73.66	3.220/81.79	.105/2.67	3.36/85.34	30u"/.76u Au OVER 50U"/1.27u Ni	
-098(LF)			SQ				.105/2.67		150u"/3.81u Sn	
-099(LF)			RND				.150/3.81		30u"/.76u Au OVER 50U"/1.27u Ni	
-100(LF)			SQ				.150/3.81		150u"/3.81u Sn	
-101(LF)			SQ				.675/17.15		30u"/.76u Au OVER 50U"/1.27u Ni	
-102(LF)		NO	SQ				.675/17.15		150u"/3.81u Sn	
-103(LF)		STD	RND				.105/2.67		30u"/.76u Au OVER 50U"/1.27u Ni	
-104(LF)			SQ				.105/2.67		150u"/3.81u Sn	
-105(LF)			RND				.150/3.81		30u"/.76u Au OVER 50U"/1.27u Ni	
-106(LF)			SQ				.150/3.81		150u"/3.81u Sn	
-107(LF)			SQ				.675/17.15		30u"/.76u Au OVER 50U"/1.27u Ni	
67916-108(LF)	2x30	STD	SQ	3.76/95.50	2.900/73.66	3.220/81.79	.675/17.15	3.36/85.34	150u"/3.81u Sn	D

mat'l. code		tolerances unless otherwise specified		CUSTOMER COPY		FCI www.fciconnect.com	
ltr	ecr no	dr	date	linear	.XX±.01/.X±.3	projection	title
E					.XXX±.005/.XX±.13		HEADER, QUICKIE
					.XXX±.0020/.XXX±.051		SEA, HORSE, RIGHT ANGLE
				angles	0°±2'	INCH/MM	product family
				dr	J. SHREINER 7/16/90	scale	QUICKIE
				enrg	M. SMYK 7/16/90	5:1	code
				chr	M. SMYK 7/16/90		67916
				appd	M. SMYK 7/16/90		sheet
sheet index	revision sheet						6 of 20

PDM: Rev:E

STATUS: Released

Printed: Apr 12, 2011

PRODUCT NO.	SIZE	LATCHES NOTE 9	PIN SHAPE	DIM A	DIM B	DIM C	DIM D	DIM E	TERMINAL PLATING NOTE 13	STYLE
67916-109									UNASSIGNED	30u"/.76u Au OVER 50u"/1.27u Ni
-110	2x7	NO	SQ	1.46/37.08	.600/15.24	.920/23.37	.105/2.67	1.06/26.92		C
-111	2x8			1.56/39.62	.700/17.78	1.020/25.91		1.16/29.46		D
-112	2x10			1.76/44.70	.900/22.86	1.220/30.99		1.36/34.54		
-113	2x13			2.06/52.32	1.200/30.48	1.520/38.61		1.66/42.16		
-114	2x17			2.46/62.48	1.600/40.64	1.920/48.77		2.06/52.32		
-115	2x20			2.76/70.10	1.900/48.26	2.220/56.39		2.36/59.94		
-116	2x25			3.26/82.80	2.400/60.96	2.720/69.09		2.86/72.64		
-117	2x30	NO	SQ	3.76/95.50	2.900/73.66	3.220/81.79	.105/2.67	3.36/85.34	30u"/.76u Au OVER 50u"/1.27u Ni	D
-118									UNASSIGNED	
-119	2x7	STD	SQ	1.46/37.08	.600/15.24	.920/23.37	.105/2.67	1.06/26.92	30u"/.76u Au OVER 50u"/1.27u Ni	C
-120	2x8			1.56/39.62	.700/17.78	1.020/25.91		1.16/29.46		D
-121	2x10			1.76/44.70	.900/22.86	1.220/30.99		1.36/34.54		
-122	2x13			2.06/52.32	1.200/30.48	1.520/38.61		1.66/42.16		
-123	2x17			2.46/62.48	1.600/40.64	1.920/48.77		2.06/52.32		
-124	2x20			2.76/70.10	1.900/48.26	2.220/56.39		2.36/59.94		
-125	2x25			3.26/82.80	2.400/60.96	2.720/69.09		2.86/72.64		
-126	2x30	STD	SQ	3.76/95.50	2.900/73.66	3.220/81.79	.105/2.67	3.36/85.34	30u"/.76u Au OVER 50u"/1.27u Ni	D
-127									UNASSIGNED	
-128	2x7	NO	RND	1.46/37.08	.600/15.24	.920/23.37	.150/3.81	1.06/26.92	30u"/.76u GXT/GOLD FLASH	C
-129	2x8			1.56/39.62	.700/17.78	1.020/25.91		1.16/29.46		D
-130	2x10			1.76/44.70	.900/22.86	1.220/30.99		1.36/34.54		
-131	2x13			2.06/52.32	1.200/30.48	1.520/38.61		1.66/42.16		
-132	2x17			2.46/62.48	1.600/40.64	1.920/48.77		2.06/52.32		
-133	2x20			2.76/70.10	1.900/48.26	2.220/56.39		2.36/59.94		
-134	2x25			3.26/82.80	2.400/60.96	2.720/69.09		2.86/72.64		
-135	2x30	NO	RND	3.76/95.50	2.900/73.66	3.220/81.79	.150/3.81	3.36/85.34	30u"/.76u GXT/GOLD FLASH	D
-136									UNASSIGNED	
-137	2x7	STD	RND	1.46/37.08	.600/15.24	.920/23.37	.150/3.81	1.06/26.92	30u"/.76u GXT/GOLD FLASH	C
-138	2x8			1.56/39.62	.700/17.78	1.020/25.91		1.16/29.46		D
-139	2x10			1.76/44.70	.900/22.86	1.220/30.99		1.36/34.54		
-140	2x13			2.06/52.32	1.200/30.48	1.520/38.61		1.66/42.16		
-141	2x17			2.46/62.48	1.600/40.64	1.920/48.77		2.06/52.32		
-142	2x20			2.76/70.10	1.900/48.26	2.220/56.39		2.36/59.94		
-143	2x25			3.26/82.80	2.400/60.96	2.720/69.09		2.86/72.64		
67916-144	2x30	STD	RND	3.76/95.50	2.900/73.66	3.220/81.79	.150/3.81	3.36/85.34	30u"/.76u GXT/GOLD FLASH	D

Tous droits strictement réservés. Reproduction ou communication à des tiers interdite sous quelque forme que ce soit sans autorisation écrite du propriétaire. Propriété de c FCI. Droits de reproduction FCI.



All rights strictly reserved. Reproduction or issue to third parties in any form whatsoever is not permitted without written authority from the proprietor. Property of FCI. Copyright FCI.

mat'l. code		tolerances unless otherwise specified		CUSTOMER COPY		FCI www.fciconnect.com	
ltr	ecn no	dr	date	linear	.XX±.01/.XX±.3	projection	title
E					.XXX±.005/.XX±.13		HEADER, QUICKIE
				angles	.XXX±.0020/.XXX±.051	INCH/MM	SEA, HORSE, RIGHT ANGLE
				dr	0°±2°	scale	product family
				enrg	J. SHREINER 7/16/90	5:1	QUICKIE
				chr	M. SMYK 7/16/90		size
				appd	M. SMYK 7/16/90		dwg no
							code
sheet index	revision sheet						67916
							sheet 7 of 20

PDM: Rev:E

STATUS: Released

Printed: Apr 12, 2011

Tous droits strictement réservés. Reproduction ou communication à des tiers interdite sous quelque forme que ce soit sans autorisation écrite du propriétaire. Propriété de c FCI. Droits de reproduction FCI.



All rights strictly reserved. Reproduction or issue to third parties in any form whatsoever is not permitted without written authority from the proprietor. Property of FCI. Copyright FCI.

PRODUCT NO.	SIZE	LATCHES NOTE 9	PIN SHAPE	DIM A	DIM B	DIM C	DIM D	DIM E	TERMINAL PLATING NOTE 13	STYLE	
67916-145(LF)				UNAVAILABLE							
-146(LF)				UNAVAILABLE							
-147(LF)				UNAVAILABLE							
-148(LF)				UNAVAILABLE							
-149(LF)				UNAVAILABLE							
-150(LF)				UNAVAILABLE							
-151(LF)	2x7	LP	RND	1.46/37.08	.600/15.24	.920/23.37	.105/2.67	1.06/26.92	30u"/.76u Au OVER 50u"/1.27u Ni	C	
-152(LF)			SQ				.105/2.67		150u"/3.81u Sn		
-153(LF)			RND				.150/3.81		30u"/.76u Au OVER 50u"/1.27u Ni		
-154(LF)			SQ				.150/3.81		150u"/3.81u Sn		
-155(LF)			SQ				.675/17.15		30u"/.76u Au OVER 50u"/1.27u Ni		
-156(LF)	2x7		SQ	1.46/37.08	.600/15.24	.920/23.37	.675/17.15	1.06/26.92	150u"/3.81u Sn	C	
-157(LF)	2x8		RND	1.56/39.62	.700/17.78	1.020/25.91	.105/2.67	1.16/29.46	30u"/.76u Au OVER 50u"/1.27u Ni	D	
-158(LF)			SQ				.105/2.67		150u"/3.81u Sn		
-159(LF)			RND				.150/3.81		30u"/.76u Au OVER 50u"/1.27u Ni		
-160(LF)			SQ				.150/3.81		150u"/3.81u Sn		
-161(LF)			SQ				.675/17.15		30u"/.76u Au OVER 50u"/1.27u Ni		
-162(LF)	2x8		SQ	1.56/39.62	.700/17.78	1.020/25.91	.675/17.15	1.16/29.46	150u"/3.81u Sn		
-163(LF)	2x10		RND	1.76/44.70	.900/22.86	1.220/30.99	.105/2.67	1.36/34.54	30u"/.76u Au OVER 50u"/1.27u Ni		
-164(LF)			SQ				.105/2.67		150u"/3.81u Sn		
-165(LF)			RND				.150/3.81		30u"/.76u Au OVER 50u"/1.27u Ni		
-166(LF)			SQ				.150/3.81		150u"/3.81u Sn		
-167(LF)			SQ				.675/17.15		30u"/.76u Au OVER 50u"/1.27u Ni		
-168(LF)	2x10		RND	1.76/44.70	.900/22.86	1.220/30.99	.675/17.15	1.36/34.54	150u"/3.81u Sn		
-169(LF)	2x13		SQ	2.06/52.32	1.200/30.48	1.520/38.61	.105/2.67	1.66/42.16	30u"/.76u Au OVER 50u"/1.27u Ni		
-170(LF)			SQ				.105/2.67		150u"/3.81u Sn		
-171(LF)			RND				.150/3.81		30u"/.76u Au OVER 50u"/1.27u Ni		
-172(LF)			SQ				.150/3.81		150u"/3.81u Sn		
-173(LF)			SQ				.675/17.15		30u"/.76u Au OVER 50u"/1.27u Ni		
-174(LF)	2x13		SQ	2.06/52.32	1.200/30.48	1.520/38.61	.675/17.15	1.66/42.16	150u"/3.81u Sn		
-175(LF)	2x17		RND	2.46/62.48	1.600/40.64	1.920/48.77	.105/2.67	2.06/52.32	30u"/.76u Au OVER 50u"/1.27u Ni		
-176(LF)			SQ				.105/2.67		150u"/3.81u Sn		
-177(LF)			RND				.150/3.81		30u"/.76u Au OVER 50u"/1.27u Ni		
-178(LF)			SQ				.150/3.81		150u"/3.81u Sn		
-179(LF)			SQ				.675/17.15		30u"/.76u Au OVER 50u"/1.27u Ni		
67916-180(LF)	2x17	LP	SQ	2.46/62.48	1.600/40.64	1.920/48.77	.675/17.15	2.06/52.32	150u"/3.81u Sn	D	

mat'l. code		tolerances unless otherwise specified		INSPECTION COPY		FCI www.fciconnect.com	
ltr	ecr no	dr	date	linear	.XX±.01/.X±.3	projection	title
E					.XXX±.005/.XX±.13		HEADER, QUICKIE
				angles	.XXX±.0020/.XXX±.051	$0^{\circ}\pm 2^{\circ}$	SEA, HORSE, RIGHT ANGLE
				dr	J. SHREINER 7/16/90	$\frac{INCH}{MM}$	product family
				enrg	M. SMYK 7/16/90	scale	QUICKIE
				chr	M. SMYK 7/16/90	5:1	size
				appd	M. SMYK 7/16/90	A	67916
sheet index	revision sheet						code
							8 of 20

PDM: Rev:E

STATUS: Released

Printed: Apr 12, 2011

Tous droits strictement réservés. Reproduction ou communication à des tiers interdite sous quelque forme que ce soit sans autorisation écrite du propriétaire. Propriété de c FCI. Droits de reproduction FCI.



All rights strictly reserved. Reproduction or issue to third parties in any form whatsoever is not permitted without written authority from the proprietor. Property of FCI. Copyright FCI.

PRODUCT NO.	SIZE	LATCHES NOTE 9	PIN SHAPE	DIM A	DIM B	DIM C	DIM D	DIM E	MADE FROM	STYLE
67916-181(LF)	2x20	66177-001	N/A	2.76/70.10	1.900/48.26	2.220/56.39	.105/2.67	2.36/59.94	30u"/.76u Au OVER 50u"/1.27u Ni	D
-182(LF)							.105/2.67		150u"/3.81u Sn	
-183(LF)							.150/3.81		30u"/.76u Au OVER 50u"/1.27u Ni	
-184(LF)							.150/3.81		150u"/3.81u Sn	
-185(LF)							.675/17.15		30u"/.76u Au OVER 50u"/1.27u Ni	
-186(LF)	2x20			2.76/70.10	1.900/48.26	2.220/56.39	.675/17.15	2.36/59.94	150u"/3.81u Sn	
-187(LF)	2x25			3.26/82.80	2.400/60.96	2.720/69.09	.105/2.67	2.86/72.64	30u"/.76u Au OVER 50u"/1.27u Ni	
-188(LF)							.105/2.67		150u"/3.81u Sn	
-189(LF)							.150/3.81		30u"/.76u Au OVER 50u"/1.27u Ni	
-190(LF)							.150/3.81		150u"/3.81u Sn	
-191(LF)							.675/17.15		30u"/.76u Au OVER 50u"/1.27u Ni	
-192(LF)	2x25			3.26/82.80	2.400/60.96	2.720/69.09	.675/17.15	2.86/72.64	150u"/3.81u Sn	
-193(LF)	2x30			3.76/95.50	2.900/73.66	3.220/81.79	.105/2.67	3.36/85.34	30u"/.76u Au OVER 50u"/1.27u Ni	
-194(LF)							.105/2.67		150u"/3.81u Sn	
-195(LF)							.150/3.81		30u"/.76u Au OVER 50u"/1.27u Ni	
-196(LF)							.150/3.81		150u"/3.81u Sn	
-197(LF)							.675/17.15		30u"/.76u Au OVER 50u"/1.27u Ni	
-198(LF)	2x30	66177-001	N/A	3.76/95.50	2.900/73.66	3.220/81.79	.675/17.15	3.36/85.34	150u"/3.81u Sn	D
-199(LF)									UNAVAILABLE	
-200(LF)	2x7	66177-001	N/A	1.46/37.08	.600/15.24	.920/23.37	.105/2.67	1.06/26.92	30u"/.76u Au OVER 50u"/1.27u Ni	C
-201(LF)	2x8			1.56/39.62	.700/17.78	1.020/25.91		1.16/29.46		D
-202(LF)	2x10			1.76/44.70	.900/22.86	1.220/30.99		1.36/34.54		
-203(LF)	2x13			2.06/52.32	1.200/30.48	1.520/38.61		1.66/42.16		
-204(LF)	2x17			2.46/62.48	1.600/40.64	1.920/48.77		2.06/52.32		
-205(LF)	2x20			2.76/70.10	1.900/48.26	2.220/56.39		2.36/59.94		
-206(LF)	2x25			3.26/82.80	2.400/60.96	2.720/69.09		2.86/72.64		
-207(LF)	2x30	66177-001	N/A	3.76/95.50	2.900/73.66	3.220/81.79	.105/2.67	3.36/85.34	30u"/.76u Au OVER 50u"/1.27u Ni	D
-208(LF)									UNAVAILABLE	
-209(LF)	2x7	66177-001	N/A	1.46/37.08	.600/15.24	.920/23.37	.150/3.81	1.06/26.92	30u"/.76u GXT/GOLD FLASH	C
-210(LF)	2x8			1.56/39.62	.700/17.78	1.020/25.91		1.16/29.46		D
-211(LF)	2x10			1.76/44.70	.900/22.86	1.220/30.99		1.36/34.54		
-212(LF)	2x13			2.06/52.32	1.200/30.48	1.520/38.61		1.66/42.16		
-213(LF)	2x17			2.46/62.48	1.600/40.64	1.920/48.77		2.06/52.32		
-214(LF)	2x20			2.76/70.10	1.900/48.26	2.220/56.39		2.36/59.94		
-215(LF)	2x25			3.26/82.80	2.400/60.96	2.720/69.09		2.86/72.64		
67916-216(LF)	2x30	66177-001	N/A	3.76/95.50	2.900/73.66	3.220/81.79	.150/3.81	3.36/85.34	30u"/.76u GXT/GOLD FLASH	D

mat'l. code		tolerances unless otherwise specified		CUSTOMER COPY		FCI www.fciconnect.com	
ltr	ecn no	dr	date	linear	.XX±.01/.XX±.3	projection	title
E					.XXX±.005/.XX±.13		HEADER, QUICKIE
				angles	.XXX±.0020/.XXX±.051		SEA, HORSE, RIGHT ANGLE
				dr	J. SHREINER 7/16/90	INCH/MM	product family QUICKIE
				enrg	M. SMYK 7/16/90	scale	size dwg no
				chr	M. SMYK 7/16/90	5:1	A 67916
				appd	M. SMYK 7/16/90		sheet 9 of 20
sheet index	revision sheet						

Tous droits strictement réservés. Reproduction ou communication à des tiers interdite sous quelque forme que ce soit sans autorisation écrite du propriétaire. Propriété de c FCI. Droits de reproduction FCI.



All rights strictly reserved. Reproduction or issue to third parties in any form whatsoever is not permitted without written authority from the proprietor. Property of FCI. Copyright FCI.

PRODUCT NO.	SIZE	LATCHES NOTE 9	PIN SHAPE	DIM A	DIM B	DIM C	DIM D	DIM E	TERMINAL PLATING	STYLE
UNAVAILABLE										
67916-217(LF)										
-218(LF)	2x7	NO	RND	1.46/37.08	.600/15.24	.920/23.37	.105/2.67	1.06/26.92	30u"/.76u GXT/GOLD FLASH	C
-219(LF)	2x8			1.56/39.62	.700/17.78	1.020/25.91		1.16/29.46		D
-220(LF)	2x10			1.76/44.70	.900/22.86	1.220/30.99		1.36/34.54		
-221(LF)	2x13			2.06/52.32	1.200/30.48	1.520/38.61		1.66/42.16		
-222(LF)	2x17			2.46/62.48	1.600/40.64	1.920/48.77		2.06/52.32		
-223(LF)	2x20			2.76/70.10	1.900/48.26	2.220/56.39		2.36/59.94		
-224(LF)	2x25			3.26/82.80	2.400/60.96	2.720/69.09		2.86/72.64		
-225(LF)	2x30	NO	RND	3.76/95.50	2.900/73.66	3.220/81.79	.105/2.67	3.36/85.34	30u"/.76u GXT/GOLD FLASH	D
UNAVAILABLE										
-227(LF)	2x7	NO	SQ	1.46/37.08	.600/15.24	.920/23.37	.675/17.15	1.06/26.92	30u"/.76u GXT/GOLD FLASH	C
-228(LF)	2x8			1.56/39.62	.700/17.78	1.020/25.91		1.16/29.46		D
-229(LF)	2x10			1.76/44.70	.900/22.86	1.220/30.99		1.36/34.54		
-230(LF)	2x13			2.06/52.32	1.200/30.48	1.520/38.61		1.66/42.16		
-231(LF)	2x17			2.46/62.48	1.600/40.64	1.920/48.77		2.06/52.32		
-232(LF)	2x20			2.76/70.10	1.900/48.26	2.220/56.39		2.36/59.94		
-233(LF)	2x25			3.26/82.80	2.400/60.96	2.720/69.09		2.86/72.64		
-234(LF)	2x30	NO	SQ	3.76/95.50	2.900/73.66	3.220/81.79	.675/17.15	3.36/85.34	30u"/.76u GXT/GOLD FLASH	D
-235(LF)										
UNAVAILABLE										
-236(LF)	2x7	STD	RND	1.46/37.08	.600/15.24	.920/23.37	.105/2.67	1.06/26.92	30u"/.76u GXT/GOLD FLASH	C
-237(LF)	2x8			1.56/39.62	.700/17.78	1.020/25.91		1.16/29.46		D
-238(LF)	2x10			1.76/44.70	.900/22.86	1.220/30.99		1.36/34.54		
-239(LF)	2x13			2.06/52.32	1.200/30.48	1.520/38.61		1.66/42.16		
-240(LF)	2x17			2.46/62.48	1.600/40.64	1.920/48.77		2.06/52.32		
-241(LF)	2x20			2.76/70.10	1.900/48.26	2.220/56.39		2.36/59.94		
-242(LF)	2x25			3.26/82.80	2.400/60.96	2.720/69.09		2.86/72.64		
-243(LF)	2x30	STD	RND	3.76/95.50	2.900/73.66	3.220/81.79	.105/2.67	3.36/85.34	30u"/.76u GXT/GOLD FLASH	D
-244(LF)										
UNAVAILABLE										
-245(LF)	2x7	STD	SQ	1.46/37.08	.600/15.24	.920/23.37	.675/17.15	1.06/26.92	30u"/.76u GXT/GOLD FLASH	C
-246(LF)	2x8			1.56/39.62	.700/17.78	1.020/25.91		1.16/29.46		D
-247(LF)	2x10			1.76/44.70	.900/22.86	1.220/30.99		1.36/34.54		
-248(LF)	2x13			2.06/52.32	1.200/30.48	1.520/38.61		1.66/42.16		
-249(LF)	2x17			2.46/62.48	1.600/40.64	1.920/48.77		2.06/52.32		
-250(LF)	2x20			2.76/70.10	1.900/48.26	2.220/56.39		2.36/59.94		
-251(LF)	2x25			3.26/82.80	2.400/60.96	2.720/69.09		2.86/72.64		
67916-252(LF)	2x30	STD	SQ	3.76/95.50	2.900/73.66	3.220/81.79	.675/17.15	3.36/85.34	30u"/.76u GXT/GOLD FLASH	D

mat'l. code		tolerances unless otherwise specified		CUSTOMER COPY		FCI www.fciconnect.com	
ltr	ecn no	dr	date	linear	.XX±.01/.X±.3	projection	title
E					.XXX±.005/.XX±.13		HEADER, QUICKIE
				angles	.XXX±.0020/.XXX±.051	INCH/MM	SEA, HORSE, RIGHT ANGLE
				dr	J. SHREINER 7/16/90	scale	product family QUICKIE
				enrg	M. SMYK 7/16/90	5:1	size dwg no
				chr	M. SMYK 7/16/90		A 67916
				appd	M. SMYK 7/16/90		code
sheet	revision						10 of 20
index	sheet						

PDM: Rev:E

STATUS: Released

Printed: Apr 12, 2011

PRODUCT NO.	SIZE	LATCHES NOTE 9	PIN SHAPE	DIM A	DIM B	DIM C	DIM D	DIM E	TERMINAL PLATING	STYLE
UNAVAILABLE										
67916-253(LF)										
-254(LF)	2x7	LP	RND	1.46/37.08	.600/15.24	.920/23.37	.105/2.67	1.06/26.92	30u"/.76u GXT/GOLD FLASH	C
-255(LF)	2x8			1.56/39.62	.700/17.78	1.020/25.91		1.16/29.46		D
-256(LF)	2x10			1.76/44.70	.900/22.86	1.220/30.99		1.36/34.54		
-257(LF)	2x13			2.06/52.32	1.200/30.48	1.520/38.61		1.66/42.16		
-258(LF)	2x17			2.46/62.48	1.600/40.64	1.920/48.77		2.06/52.32		
-259(LF)	2x20			2.76/70.10	1.900/48.26	2.220/56.39		2.36/59.94		
-260(LF)	2x25			3.26/82.80	2.400/60.96	2.720/69.09		2.86/72.64		
-261(LF)	2x30	LP	RND	3.76/95.50	2.900/73.66	3.220/81.79	.105/2.67	3.36/85.34	30u"/.76u GXT/GOLD FLASH	D
UNAVAILABLE										
-262(LF)	2x7	LP	SQ	1.46/37.08	.600/15.24	.920/23.37	.675/17.15	1.06/26.92	30u"/.76u GXT/GOLD FLASH	C
-264(LF)	2x8			1.56/39.62	.700/17.78	1.020/25.91		1.16/29.46		D
-265(LF)	2x10			1.76/44.70	.900/22.86	1.220/30.99		1.36/34.54		
-266(LF)	2x13			2.06/52.32	1.200/30.48	1.520/38.61		1.66/42.16		
-267(LF)	2x17			2.46/62.48	1.600/40.64	1.920/48.77		2.06/52.32		
-268(LF)	2x20			2.76/70.10	1.900/48.26	2.220/56.39		2.36/59.94		
-269(LF)	2x25			3.26/82.80	2.400/60.96	2.720/69.09		2.86/72.64		
-270(LF)	2x30	LP	SQ	3.76/95.50	2.900/73.66	3.220/81.79	.675/17.15	3.36/85.34	30u"/.76u GXT/GOLD FLASH	D
-271(LF)										
UNAVAILABLE										
-272(LF)	2x7	NO	RND	1.46/37.08	.600/15.24	.920/23.37	.105/2.67	1.06/26.92	15u"/.38u Au OVER 50u"/1.27u Ni	C
-273(LF)	2x8			1.56/39.62	.700/17.78	1.020/25.91		1.16/29.46		D
-274(LF)	2x10			1.76/44.70	.900/22.86	1.220/30.99		1.36/34.54		
-275(LF)	2x13			2.06/52.32	1.200/30.48	1.520/38.61		1.66/42.16		
-276(LF)	2x17			2.46/62.48	1.600/40.64	1.920/48.77		2.06/52.32		
-277(LF)	2x20			2.76/70.10	1.900/48.26	2.220/56.39		2.36/59.94		
-278(LF)	2x25			3.26/82.80	2.400/60.96	2.720/69.09		2.86/72.64		
-279(LF)	2x30	NO	RND	3.76/95.50	2.900/73.66	3.220/81.79	.105/2.67	3.36/85.34	15u"/.38u Au OVER 50u"/1.27u Ni	D
-280(LF)										
UNAVAILABLE										
-281(LF)	2x7	NO	RND	1.46/37.08	.600/15.24	.920/23.37	.150/3.81	1.06/26.92	15u"/.38u Au OVER 50u"/1.27u Ni	C
-282(LF)	2x8			1.56/39.62	.700/17.78	1.020/25.91		1.16/29.46		D
-283(LF)	2x10			1.76/44.70	.900/22.86	1.220/30.99		1.36/34.54		
-284(LF)	2x13			2.06/52.32	1.200/30.48	1.520/38.61		1.66/42.16		
-285(LF)	2x17			2.46/62.48	1.600/40.64	1.920/48.77		2.06/52.32		
-286(LF)	2x20			2.76/70.10	1.900/48.26	2.220/56.39		2.36/59.94		
-287(LF)	2x25			3.26/82.80	2.400/60.96	2.720/69.09		2.86/72.64		
67916-288(LF)	2x30	NO	RND	3.76/95.50	2.900/73.66	3.220/81.79	.150/3.81	3.36/85.34	15u"/.38u Au OVER 50u"/1.27u Ni	D

Tous droits strictement réservés. Reproduction ou communication à des tiers interdite sous quelque forme que ce soit sans autorisation écrite du propriétaire. Property of FCI. Prohibits reproduction FCI.



All rights strictly reserved. Reproduction or issue to third parties in any form whatsoever is not permitted without written authority from the proprietor. Property of FCI. Copyright FCI.

mat'l. code		tolerances unless otherwise specified		CUSTOMER COPY		FCI www.fciconnect.com	
ltr	ecn no	dr	date	linear	.XX±.01/.X±.3	projection	title
E					.XXX±.005/.XX±.13		HEADER, QUICKIE
					.XXX±.0020/.XXX±.051		SEA, HORSE, RIGHT ANGLE
				angles	0°±2'	INCH/MM	product family
				dr	J. SHREINER 7/16/90		QUICKIE
				enrg	M. SMYK 7/16/90		code
				chr	M. SMYK 7/16/90		size
				appd	M. SMYK 7/16/90	scale	dwg no
						5:1	67916
sheet index	revision sheet						sheet
							11 of 20

PDM: Rev:E

STATUS **Released**

Printed: Apr 12, 2011

Tous droits strictement réservés. Reproduction ou communication à des tiers interdite sous quelque forme que ce soit sans autorisation écrite du propriétaire. Propriété de FCI. Droits de reproduction FCI.



All rights strictly reserved. Reproduction or issue to third parties in any form whatsoever is not permitted without written authority from the proprietor. Property of FCI. Copyright FCI.

PRODUCT NO.	SIZE	LATCHES NOTE 9	PIN SHAPE	DIM A	DIM B	DIM C	DIM D	DIM E	TERMINAL PLATING	STYLE
UNAVAILABLE										
67916-289 (LF)										
-290 (LF)	2x7	NO	SQ	1.46/37.08	.600/15.24	.920/23.37	.675/17.15	1.06/26.92	15u"/.38u Au OVER 50u"/1.27u Ni	C
-291 (LF)	2x8			1.56/39.62	.700/17.78	1.020/25.91		1.16/29.46		D
-292 (LF)	2x10			1.76/44.70	.900/22.86	1.220/30.99		1.36/34.54		
-293 (LF)	2x13			2.06/52.32	1.200/30.48	1.520/38.61		1.66/42.16		
-294 (LF)	2x17			2.46/62.48	1.600/40.64	1.920/48.77		2.06/52.32		
-295 (LF)	2x20			2.76/70.10	1.900/48.26	2.220/56.39		2.36/59.94		
-296 (LF)	2x25			3.26/82.80	2.400/60.96	2.720/69.09		2.86/72.64		
-297 (LF)	2x30	NO	SQ	3.76/95.50	2.900/73.66	3.220/81.79	.675/17.15	3.36/85.34	15u"/.38u Au OVER 50u"/1.27u Ni	D
UNAVAILABLE										
-298 (LF)										
-299 (LF)	2x7	STD	RND	1.46/37.08	.600/15.24	.920/23.37	.105/2.67	1.06/26.92	15u"/.38u Au OVER 50u"/1.27u Ni	C
-300 (LF)	2x8			1.56/39.62	.700/17.78	1.020/25.91		1.16/29.46		D
-301 (LF)	2x10			1.76/44.70	.900/22.86	1.220/30.99		1.36/34.54		
-302 (LF)	2x13			2.06/52.32	1.200/30.48	1.520/38.61		1.66/42.16		
-303 (LF)	2x17			2.46/62.48	1.600/40.64	1.920/48.77		2.06/52.32		
-304 (LF)	2x20			2.76/70.10	1.900/48.26	2.220/56.39		2.36/59.94		
-305 (LF)	2x25			3.26/82.80	2.400/60.96	2.720/69.09		2.86/72.64		
-306 (LF)	2x30	STD	RND	3.76/95.50	2.900/73.66	3.220/81.79	.105/2.67	3.36/85.34	15u"/.38u Au OVER 50u"/1.27u Ni	D
UNAVAILABLE										
-307 (LF)										
-308 (LF)	2x7	STD	RND	1.46/37.08	.600/15.24	.920/23.37	.150/3.81	1.06/26.92	15u"/.38u Au OVER 50u"/1.27u Ni	C
-309 (LF)	2x8			1.56/39.62	.700/17.78	1.020/25.91		1.16/29.46		D
-310 (LF)	2x10			1.76/44.70	.900/22.86	1.220/30.99		1.36/34.54		
-311 (LF)	2x13			2.06/52.32	1.200/30.48	1.520/38.61		1.66/42.16		
-312 (LF)	2x17			2.46/62.48	1.600/40.64	1.920/48.77		2.06/52.32		
-313 (LF)	2x20			2.76/70.10	1.900/48.26	2.220/56.39		2.36/59.94		
-314 (LF)	2x25			3.26/82.80	2.400/60.96	2.720/69.09		2.86/72.64		
-315 (LF)	2x30	STD	RND	3.76/95.50	2.900/73.66	3.220/81.79	.150/3.81	3.36/85.34	15u"/.38u Au OVER 50u"/1.27u Ni	D
UNAVAILABLE										
-316 (LF)										
-317 (LF)	2x7	STD	SQ	1.46/37.08	.600/15.24	.920/23.37	.675/17.15	1.06/26.92	15u"/.38u Au OVER 50u"/1.27u Ni	C
-318 (LF)	2x8			1.56/39.62	.700/17.78	1.020/25.91		1.16/29.46		D
-319 (LF)	2x10			1.76/44.70	.900/22.86	1.220/30.99		1.36/34.54		
-320 (LF)	2x13			2.06/52.32	1.200/30.48	1.520/38.61		1.66/42.16		
-321 (LF)	2x17			2.46/62.48	1.600/40.64	1.920/48.77		2.06/52.32		
-322 (LF)	2x20			2.76/70.10	1.900/48.26	2.220/56.39		2.36/59.94		
-323 (LF)	2x25			3.26/82.80	2.400/60.96	2.720/69.09		2.86/72.64		
67916-324 (LF)	2x30	STD	SQ	3.76/95.50	2.900/73.66	3.220/81.79	.675/17.15	3.36/85.34	15u"/.38u Au OVER 50u"/1.27u Ni	D

mat'l. code		tolerances unless otherwise specified		CUSTOMER COPY		FCI www.fciconnect.com	
ltr	ecn no	dr	date	linear	.XX±.01/.X±.3	projection	title
E					.XXX±.005/.XX±.13		HEADER, QUICKIE
				angles	.XXX±.0020/.XXX±.051	INCH/MM	SEA, HORSE, RIGHT ANGLE
				dr	J. SHREINER 7/16/90	scale	product family QUICKIE
				enrg	M. SMYK 7/16/90	5:1	size dwg no
				chr	M. SMYK 7/16/90		67916
				appd	M. SMYK 7/16/90		code
sheet index	revision sheet						sheet 12 of 20

Tous droits strictement réservés. Reproduction ou communication à des tiers interdite sous quelque forme que ce soit sans autorisation écrite du propriétaire. Propriété de c FCI. Droits de reproduction FCI.



All rights strictly reserved. Reproduction or issue to third parties in any form whatsoever is not permitted without written authority from the proprietor. Property of FCI. Copyright FCI.

PRODUCT NO.	SIZE	LATCHES NOTE 9	PIN SHAPE	DIM A	DIM B	DIM C	DIM D	DIM E	TERMINAL PLATING NOTE 13	STYLE
67916-325(LF)									UNAVAILABLE	
-326 (LF)	2x7	LP	RND	1.46/37.08	.600/15.24	.920/23.37	1.06/26.92	1.06/26.92	15u"/.38u Au OVER 50u"/1.27u Ni	C
-327 (LF)	2x8			1.56/39.62	.700/17.78	1.020/25.91	1.16/29.46	1.16/29.46		D
-328 (LF)	2x10			1.76/44.70	.900/22.86	1.220/30.99	1.36/34.54	1.36/34.54		
-329 (LF)	2x13			2.06/52.32	1.200/30.48	1.520/38.61	1.66/42.16	1.66/42.16		
-330 (LF)	2x17			2.46/62.48	1.600/40.64	1.920/48.77	2.06/52.32	2.06/52.32		
-331 (LF)	2x20			2.76/70.10	1.900/48.26	2.220/56.39	2.36/59.94	2.36/59.94		
-332 (LF)	2x25			3.26/82.80	2.400/60.96	2.720/69.09	2.86/72.64	2.86/72.64		
-333 (LF)	2x30	LP	RND	3.76/95.50	2.900/73.66	3.220/81.79	3.36/85.34	3.36/85.34	15u"/.38u Au OVER 50u"/1.27u Ni	D
-334 (LF)									UNAVAILABLE	
-335 (LF)	2x7	LP	RND	1.46/37.08	.600/15.24	.920/23.37	1.06/26.92	1.06/26.92	15u"/.38u Au OVER 50u"/1.27u Ni	C
-336 (LF)	2x8			1.56/39.62	.700/17.78	1.020/25.91	1.16/29.46	1.16/29.46		D
-337 (LF)	2x10			1.76/44.70	.900/22.86	1.220/30.99	1.36/34.54	1.36/34.54		
-338 (LF)	2x13			2.06/52.32	1.200/30.48	1.520/38.61	1.66/42.16	1.66/42.16		
-339 (LF)	2x17			2.46/62.48	1.600/40.64	1.920/48.77	2.06/52.32	2.06/52.32		
-340 (LF)	2x20			2.76/70.10	1.900/48.26	2.220/56.39	2.36/59.94	2.36/59.94		
-341 (LF)	2x25			3.26/82.80	2.400/60.96	2.720/69.09	2.86/72.64	2.86/72.64		
-342 (LF)	2x30	LP	RND	3.76/95.50	2.900/73.66	3.220/81.79	3.36/85.34	3.36/85.34	15u"/.38u Au OVER 50u"/1.27u Ni	D
-343 (LF)									UNAVAILABLE	
-344 (LF)	2x7	LP	SQ	1.46/37.08	.600/15.24	.920/23.37	1.06/26.92	1.06/26.92	15u"/.38u Au OVER 50u"/1.27u Ni	C
-345 (LF)	2x8			1.56/39.62	.700/17.78	1.020/25.91	1.16/29.46	1.16/29.46		D
-346 (LF)	2x10			1.76/44.70	.900/22.86	1.220/30.99	1.36/34.54	1.36/34.54		
-347 (LF)	2x13			2.06/52.32	1.200/30.48	1.520/38.61	1.66/42.16	1.66/42.16		
-348 (LF)	2x17			2.46/62.48	1.600/40.64	1.920/48.77	2.06/52.32	2.06/52.32		
-349 (LF)	2x20			2.76/70.10	1.900/48.26	2.220/56.39	2.36/59.94	2.36/59.94		
-350 (LF)	2x25			3.26/82.80	2.400/60.96	2.720/69.09	2.86/72.64	2.86/72.64		
-351 (LF)	2x30	LP	SQ	3.76/95.50	2.900/73.66	3.220/81.79	3.36/85.34	3.36/85.34	15u"/.38u Au OVER 50u"/1.27u Ni	D
-352 (LF)									UNAVAILABLE	
-353 (LF)										
-354 (LF)										
-355 (LF)										
-356 (LF)										
-357 (LF)										
-358 (LF)										
-359 (LF)										
67916-360(LF)									UNAVAILABLE	

mat'l. code		tolerances unless otherwise specified		CUSTOMER COPY		www.fciconnect.com	
ltr	ecn no	dr	date	linear	.XX±.01/.X±.3	projection	title
E					.XXX±.005/.XX±.13		HEADER, QUICKIE
					.XXX±.0020/.XXX±.051		SEA, HORSE, RIGHT ANGLE
				angles	0°±2'	INCH/MM	product family
				dr	J. SHREINER 7/16/90		QUICKIE
				enrg	M. SMYK 7/16/90		code
				chr	M. SMYK 7/16/90		-
				appd	M. SMYK 7/16/90	scale	size
						5:1	dwg no
							67916
sheet index	revision sheet						sheet
							13 of 20

PDM: Rev:E

STATUS: Released

Printed: Apr 12, 2011

Tous droits strictement réservés. Reproduction ou communication à des tiers interdite sous quelque forme que ce soit sans autorisation écrite du propriétaire. Propriété de c FCI. Droits de reproduction FCI.

All rights strictly reserved. Reproduction or issue to third parties in any form whatsoever is not permitted without written authority from the proprietor. Property of FCI. Copyright FCI.

PRODUCT NO.	SIZE	LATCHES NOTE 9	PIN SHAPE	DIM A	DIM B	DIM C	DIM D	DIM E	TERMINAL PLATING NOTE 13	STYLE
67916-361(LF)									UNAVAILABLE	
-362 (LF)	2x5	NO	RND	1.26/32.0	.400/10.16	.720/18.29	.105/2.67	.86/21.84	30u"/.76u Au OVER 50u"/1.27u Ni	B
-363 (LF)		NO	RND						15u"/.38u Au OVER 50u"/1.27u Ni	
-364 (LF)		NO	RND						30u"/.76u GXT/GOLD FLASH	
-365 (LF)		NO	SQ						150u"/3.81u Sn	
-366 (LF)		STD	RND						30u"/.76u Au OVER 50u"/1.27u Ni	
-367 (LF)		STD	RND						15u"/.38u Au OVER 50u"/1.27u Ni	
-368 (LF)		STD	RND						30u"/.76u GXT/GOLD FLASH	
-369 (LF)		STD	SQ						150u"/3.81u Sn	
-370 (LF)		LP	RND						30u"/.76u Au OVER 50u"/1.27u Ni	
-371 (LF)		LP	RND						15u"/.38u Au OVER 50u"/1.27u Ni	
-372 (LF)		LP	RND						30u"/.76u GXT/GOLD FLASH	
-373 (LF)		LP	SQ				.105/2.67		150u"/3.81u Sn	
-374 (LF)		NO	RND				.150/3.81		30u"/.76u Au OVER 50u"/1.27u Ni	
-375 (LF)		NO	RND						15u"/.38u Au OVER 50u"/1.27u Ni	
-376 (LF)		NO	RND						30u"/.76u GXT/GOLD FLASH	
-377 (LF)		NO	SQ						150u"/3.81u Sn	
-378 (LF)		STD	RND						30u"/.76u Au OVER 50u"/1.27u Ni	
-379 (LF)		STD	RND						15u"/.38u Au OVER 50u"/1.27u Ni	
-380 (LF)		STD	RND						30u"/.76u GXT/GOLD FLASH	
-381 (LF)		STD	SQ						150u"/3.81u Sn	
-382 (LF)		LP	RND						30u"/.76u Au OVER 50u"/1.27u Ni	
-383 (LF)		LP	RND						15u"/.38u Au OVER 50u"/1.27u Ni	
-384 (LF)		LP	RND						30u"/.76u GXT/GOLD FLASH	
-385 (LF)		LP	SQ				.150/3.81		150u"/3.81u Sn	
-386 (LF)		NO	SQ				.675/17.15		30u"/.76u Au OVER 50u"/1.27u Ni	
-387 (LF)		NO							15u"/.38u Au OVER 50u"/1.27u Ni	
-388 (LF)		NO							30u"/.76u GXT/GOLD FLASH	
-389 (LF)		NO							150u"/3.81u Sn	
-390 (LF)		STD							30u"/.76u Au OVER 50u"/1.27u Ni	
-391 (LF)		STD							15u"/.38u Au OVER 50u"/1.27u Ni	
-392 (LF)		STD							30u"/.76u GXT/GOLD FLASH	
-393 (LF)		STD							150u"/3.81u Sn	
-394 (LF)		LP							30u"/.76u Au OVER 50u"/1.27u Ni	
-395 (LF)		LP							15u"/.38u Au OVER 50u"/1.27u Ni	
67916-396(LF)	2x5	LP	SQ	1.26/32.0	.400/10.16	.720/18.29	.675/17.15	.86/21.84	30u"/.76u GXT/GOLD FLASH	B

mat'l. code		tolerances unless otherwise specified		CUSTOMER COPY		FCJ www.fciconnect.com	
ltr	ecn no	dr	date	linear	.XX±.01/.X±.3	projection	title
E					.XXX±.005/.XX±.13		HEADER, QUICKIE
				angles	.XXX±.0020/.XXX±.051		SEA, HORSE, RIGHT ANGLE
				dr	0°±2°	INCH/MM	product family
				enrg	J. SHREINER 7/16/90	scale	QUICKIE
				chr	M. SMYK 7/16/90	5:1	code
				appd	M. SMYK 7/16/90	A	size
							dwg no
							67916
sheet index	revision sheet						sheet
							14 of 20

PDM: Rev:E

STATUS: Released

Printed: Apr 12, 2011

Tous droits strictement réservés. Reproduction ou communication à des tiers interdite sous quelque forme que ce soit sans autorisation écrite du propriétaire. Propriété de c FCI. Droits de reproduction FCI.



All rights strictly reserved. Reproduction or issue to third parties in any form whatsoever is not permitted without written authority from the proprietor. Property of FCI. Copyright FCI.

PRODUCT NO.	SIZE	LATCHES NOTE 9	PIN SHAPE	DIM A	DIM B	DIM C	DIM D	DIM E	TERMINAL PLATING NOTE 13	STYLE
67916-397(LF)	2x5	LP	SQ	1.26/32.00	.400/10.16	.720/18.29	.675/17.15	.86/21.84	150u"/3.81u Sn	B
-398(LF)	2x10	LP	RND	1.76/44.70	.900/22.86	1.220/30.99	.105/2.67	1.36/34.54	30u"/.76u Au OVER 50u"/1.27u Ni	D
-399(LF)									UNASSIGNED	
-400(LF)										
-401(LF)										
-402(LF)										
-403(LF)										
-404(LF)									UNASSIGNED	
-405(LF)	2x5	NO	SQ	1.26/32.00	.400/10.16	.720/18.29	.105/2.67	.86/21.84	30u"/.76u Au OVER 50u"/1.27u Ni	B
-406(LF)		STD						.105/2.67		
-407(LF)		LP						.105/2.67		
-408(LF)		NO						.150/3.81		
-409(LF)		STD						.150/3.81		
-410(LF)	2x5	LP		1.26/32.00	.400/10.16	.720/18.29	.150/3.81	.86/21.84		B
-411(LF)	2x7	NO		1.46/37.08	.600/15.24	.920/23.37	.105/2.67	1.06/26.92		C
-412(LF)		STD						.105/2.67		
-413(LF)		LP						.105/2.67		
-414(LF)		NO						.150/3.81		
-415(LF)		STD						.150/3.81		
-416(LF)	2x7	LP		1.46/37.08	.600/15.24	.920/23.37	.150/3.81	1.06/26.92		C
-417(LF)	2x8	NO		1.56/39.62	.700/17.78	1.020/25.91	.105/2.67	1.16/29.46		D
-418(LF)		STD						.105/2.67		
-419(LF)		LP						.105/2.67		
-420(LF)		NO						.150/3.81		
-421(LF)		STD						.150/3.81		
-422(LF)	2x8	LP		1.56/39.62	.700/17.78	1.020/25.91	.150/3.81	1.16/29.46		
-423(LF)	2x10	NO		1.76/44.70	.900/22.86	1.220/30.99	.105/2.67	1.36/34.54		
-424(LF)		STD						.105/2.67		
-425(LF)		LP						.105/2.67		
-426(LF)		NO						.150/3.81		
-427(LF)		STD						.150/3.81		
-428(LF)	2x10	LP		1.76/44.70	.900/22.86	1.220/30.99	.150/3.81	1.36/34.54		
-429(LF)	2x13	NO		2.06/52.32	1.200/30.48	1.520/38.61	.105/2.67	1.66/42.16		
-430(LF)		STD						.105/2.67		
-431(LF)		LP						.105/2.67		
67916-432(LF)	2x13	NO	SQ	2.06/52.32	1.200/30.48	1.520/38.61	.150/3.81	1.66/42.16	30u"/.76u Au OVER 50u"/1.27u Ni	D

mat'l. code		tolerances unless otherwise specified		CUSTOMER COPY		FCI		www.fciconnect.com	
ltr	ecn no	dr	date	linear	.XX±.01/.X±.3	projection	title	SEA, HORSE, RIGHT ANGLE	code
E					.XXX±.005/.XX±.13	INCH/MM	product family	QUICKIE	-
				angles	.XXX±.0020/.XXX±.051	scale	size	67916	sheet
				dr	0°±2'	5:1	dwg no	A	15 of 20
				enrg	J. SHREINER 7/16/90				
				chr	M. SMYK 7/16/90				
				appd	M. SMYK 7/16/90				
sheet index	revision sheet								

Tous droits strictement réservés. Reproduction ou communication à des tiers interdite sous quelque forme que soit sans autorisation écrite du propriétaire. Propriété de FCI. Droits de reproduction FCI.



All rights strictly reserved. Reproduction or issue to third parties in any form whatsoever is not permitted without written authority from the proprietor. Property of FCI. Copyright FCI.

PRODUCT NO.	SIZE	LATCHES NOTE 9	PIN SHAPE	DIM A	DIM B	DIM C	DIM D	DIM E	TERMINAL PLATING NOTE 13	STYLE
67916-433 (LF)	2x13	STD	SQ	2.06/52.32	1.200/30.48	1.520/38.61	.150/3.81	1.66/42.16	15u"/.38 Au OVER 50u"/1.27u Ni	D
-434 (LF)	2x13	LP		2.06/52.32	1.200/30.48	1.520/38.61	.150/3.81	1.66/42.16		
-435 (LF)	2x17	NO		2.46/62.48	1.800/40.64	1.920/48.77	.105/2.67	2.06/52.32		
-436 (LF)		STD					.105/2.67			
-437 (LF)		LP					.105/2.67			
-438 (LF)		NO					.150/3.81			
-439 (LF)		STD					.150/3.81			
-440 (LF)	2x17	LP		2.46/62.48	1.800/40.64	1.920/48.77	.150/3.81	2.06/52.32		
-441 (LF)	2x20	NO		2.76/70.10	1.900/48.26	2.220/56.39	.105/2.67	2.36/59.94		
-442 (LF)		STD					.105/2.67			
-443 (LF)		LP					.105/2.67			
-444 (LF)		NO					.150/3.81			
-445 (LF)		STD					.150/3.81			
-446 (LF)	2x20	LP		2.76/70.10	1.900/48.26	2.220/56.39	.150/3.81	2.36/59.94		
-447 (LF)	2x25	NO		3.26/82.80	2.400/60.96	2.720/69.09	.105/2.67	2.86/72.64		
-448 (LF)		STD					.105/2.67			
-449 (LF)		LP					.105/2.67			
-450 (LF)		NO					.150/3.81			
-451 (LF)		STD					.150/3.81			
-452 (LF)	2x25	LP		3.26/82.80	2.400/60.96	2.720/69.09	.150/3.81	2.86/72.64		
-453 (LF)	2x30	NO		3.76/95.50	2.900/73.66	3.220/81.79	.105/2.67	3.36/85.34		
-454 (LF)		STD					.105/2.67			
-455 (LF)		LP					.105/2.67			
-456 (LF)		NO					.150/3.81			
-457 (LF)		STD					.150/3.81			
-458 (LF)	2x30	LP	SQ	3.76/95.50	2.900/73.66	3.220/81.79	.150/3.81	3.36/85.34		
-459 (LF)	2x12	NO	RND	1.96/49.78	1.100/27.94	1.420/36.07	.105/2.67	1.56/39.62		
-460 (LF)		STD							15u"/.38 Au OVER 50u"/1.27u Ni	
-461 (LF)		LP							30u"/.76 Au OVER 50u"/1.27u Ni	
-462 (LF)		NO							30u"/.76 Au OVER 50u"/1.27u Ni	
-463 (LF)		STD							30u"/.76 Au OVER 50u"/1.27u Ni	
-464 (LF)		LP							30u"/.76 Au OVER 50u"/1.27u Ni	
-465 (LF)		NO							30u"/.76 GXT/GOLD FLASH	
-466 (LF)		STD							30u"/.76 GXT/GOLD FLASH	
-467 (LF)		LP	RND						30u"/.76 GXT/GOLD FLASH	
67916-468 (LF)	2x12	NO	SQ	1.96/49.78	1.100/27.94	1.420/36.07	.105/2.67	1.56/39.62	150u"/3.81u TIN	D

mat'l. code		tolerances unless otherwise specified		CUSTOMER COPY		FCI www.fciconnect.com	
ltr	ecr no	dr	date	linear	.XX±.01/.X±.3	projection	title
E					.XXX±.005/.XX±.13		HEADER, QUICKIE
				angles	.XXX±.0020/.XXX±.051	INCH/MM	SEA, HORSE, RIGHT ANGLE
				dr	0°±2°	scale	product family
				enrg	J. SHREINER 7/16/90	5:1	QUICKIE
				chr	M. SMYK 7/16/90		size
				appd	M. SMYK 7/16/90		dwg no
							A 67916
sheet index	revision sheet						code
							-
							sheet
							16 of 20

Tous droits strictement réservés. Reproduction ou communication à des tiers interdite sous quelque forme que ce soit sans autorisation écrite du propriétaire. Propriété de FCI. Droits de reproduction FCI.



All rights strictly reserved. Reproduction or issue to third parties in any form whatsoever is not permitted without written authority from the proprietor. Property of FCI. Copyright FCI.

PRODUCT NO.	SIZE	LATCHES NOTE 9	PIN SHAPE	DIM A	DIM B	DIM C	DIM D	DIM E	TERMINAL PLATING NOTE 13	STYLE
67916-469(LF)	2x12	STD	SQ	1.96/49.78	1.100/27.94	1.420/36.07	.105/2.67	1.56/39.62	150u"/3.81u TIN	D
-470(LF)		LP	SQ				.105/2.67		150u"/3.81u TIN	
-471(LF)		NO	RND				.150/3.81		15u"/.38u Au OVER 50u"/1.27u Ni	
-472(LF)		STD							15u"/.38u Au OVER 50u"/1.27u Ni	
-473(LF)		LP							15u"/.38u Au OVER 50u"/1.27u Ni	
-474(LF)		NO							30u"/.76u Au OVER 50u"/1.27u Ni	
-475(LF)		STD							30u"/.76u Au OVER 50u"/1.27u Ni	
-476(LF)		LP							30u"/.76u Au OVER 50u"/1.27u Ni	
-477(LF)		NO							30u"/.76u GXT /GOLD FLASH	
-478(LF)		STD							30u"/.76u GXT /GOLD FLASH	
-479(LF)		LP	RND						30u"/.76u GXT /GOLD FLASH	
-480(LF)		NO	SQ						150u"/3.81u TIN	
-481(LF)		STD							150u"/3.81u TIN	
-482(LF)		LP					.150/3.81		150u"/3.81u TIN	
-483(LF)		NO					.105/2.67		15u"/.38u Au OVER 50u"/1.27u Ni	
-484(LF)		STD							15u"/.38u Au OVER 50u"/1.27u Ni	
-485(LF)		LP							15u"/.38u Au OVER 50u"/1.27u Ni	
-486(LF)		NO							30u"/.76u Au OVER 50u"/1.27u Ni	
-487(LF)		STD							30u"/.76u Au OVER 50u"/1.27u Ni	
-488(LF)		LP					.105/2.67		30u"/.76u Au OVER 50u"/1.27u Ni	
-489(LF)		NO					.150/3.81		15u"/.38u Au OVER 50u"/1.27u Ni	
-490(LF)		STD					.150/3.81		15u"/.38u Au OVER 50u"/1.27u Ni	
-491(LF)		LP					.150/3.81		15u"/.38u Au OVER 50u"/1.27u Ni	
-492(LF)		NO					.675/17.15		15u"/.38u Au OVER 50u"/1.27u Ni	
-493(LF)		STD							15u"/.38u Au OVER 50u"/1.27u Ni	
-494(LF)		LP							15u"/.38u Au OVER 50u"/1.27u Ni	
-495(LF)		NO							30u"/.76u Au OVER 50u"/1.27u Ni	
-496(LF)		STD							30u"/.76u Au OVER 50u"/1.27u Ni	
-497(LF)		LP							30u"/.76u Au OVER 50u"/1.27u Ni	
-498(LF)		NO							30u"/.76u GXT /GOLD FLASH	
-499(LF)		STD							30u"/.76u GXT /GOLD FLASH	
-500(LF)		LP							30u"/.76u GXT /GOLD FLASH	
-501(LF)		NO							150u"/3.81u TIN	
-502(LF)		STD							150u"/3.81u TIN	
-503(LF)	2x12	LP	SQ	1.96/49.78	1.100/27.94	1.420/36.07	.675/17.15	1.56/39.62	150u"/3.81u TIN	
67916-504(LF)	2x15	NO	RND	2.26/57.40	1.400/35.56	1.720/43.69	.105/2.67	1.86/47.24	15u"/.38u Au OVER 50u"/1.27u Ni	D

mat'l. code		tolerances unless otherwise specified		CUSTOMER COPY		FCI www.fciconnect.com		
ltr	ecr no	dr	date	linear	.XX±.01/.X±.3	projection	title	
E					.XXX±.005/.XX±.13		HEADER, QUICKIE	
					.XXX±.0020/.XXX±.051		SEA, HORSE, RIGHT ANGLE	
				angles	0°±2'		product family	
				dr	J. SHREINER 7/16/90		QUICKIE	code
				enrg	M. SMYK 7/16/90	INCH/MM	size	
				chr	M. SMYK 7/16/90	scale	dwg no	
				appd	M. SMYK 7/16/90	5:1	A 67916	sheet
sheet index	revision sheet							17 of 20

PDM: Rev:E

STATUS: Released

Printed: Apr 12, 2011

Tous droits strictement réservés. Reproduction ou communication à des tiers interdite sous quelque forme que ce soit sans autorisation écrite du propriétaire. Propriété de c FCI. Droits de reproduction FCI.



All rights strictly reserved. Reproduction or issue to third parties in any form whatsoever is not permitted without written authority from the proprietor. Property of FCI. Copyright FCI.

PRODUCT NO.	SIZE	LATCHES NOTE 9	PIN SHAPE	DIM A	DIM B	DIM C	DIM D	DIM E	TERMINAL PLATING NOTE 13	STYLE
67916-905 (LF)	2x15	STD	RND	2.26/57.40	1.400/35.56	1.720/43.69	.105/2.67	1.86/47.24	15u"/.38u Au OVER 50U"/1.27u Ni	D
-506 (LF)		LP							15u"/.38u Au OVER 50U"/1.27u Ni	
-507 (LF)		NO							30u"/.76u Au OVER 50U"/1.27u Ni	
-508 (LF)		STD							30u"/.76u Au OVER 50U"/1.27u Ni	
-509 (LF)		LP							30u"/.76u Au OVER 50U"/1.27u Ni	
-510 (LF)		NO							30u"/.76u GXT /GOLD FLASH	
-511 (LF)		STD							30u"/.76u GXT /GOLD FLASH	
-512 (LF)		LP	RND						30u"/.76u GXT /GOLD FLASH	
-513 (LF)		NO	SO						150u"/3.81u TIN	
-514 (LF)		STD	SO						150u"/3.81u TIN	
-515 (LF)		LP	SO				.105/2.67		150u"/3.81u TIN	
-516 (LF)		NO	RND				.150/3.81		15u"/.38u Au OVER 50U"/1.27u Ni	
-517 (LF)		STD							15u"/.38u Au OVER 50U"/1.27u Ni	
-518 (LF)		LP							15u"/.38u Au OVER 50U"/1.27u Ni	
-519 (LF)		NO							30u"/.76u Au OVER 50U"/1.27u Ni	
-520 (LF)		STD							30u"/.76u Au OVER 50U"/1.27u Ni	
-521 (LF)		LP							30u"/.76u Au OVER 50U"/1.27u Ni	
-522 (LF)		NO							30u"/.76u GXT /GOLD FLASH	
-523 (LF)		STD							30u"/.76u GXT /GOLD FLASH	
-524 (LF)		LP	RND						30u"/.76u GXT /GOLD FLASH	
-525 (LF)		NO	SO						150u"/3.81u TIN	
-526 (LF)		STD							150u"/3.81u TIN	
-527 (LF)		LP					.150/3.81		150u"/3.81u TIN	
-528 (LF)		NO					.105/2.67		15u"/.38u Au OVER 50U"/1.27u Ni	
-529 (LF)		STD							15u"/.38u Au OVER 50U"/1.27u Ni	
-530 (LF)		LP							15u"/.38u Au OVER 50U"/1.27u Ni	
-531 (LF)		NO							30u"/.76u Au OVER 50U"/1.27u Ni	
-532 (LF)		STD							30u"/.76u Au OVER 50U"/1.27u Ni	
-533 (LF)		LP					.105/2.67		30u"/.76u Au OVER 50U"/1.27u Ni	
-534 (LF)		NO					.150/3.81		15u"/.38u Au OVER 50U"/1.27u Ni	
-535 (LF)		STD					.150/3.81		15u"/.38u Au OVER 50U"/1.27u Ni	
-536 (LF)		LP					.150/3.81		15u"/.38u Au OVER 50U"/1.27u Ni	
-537 (LF)		NO					.675/17.15		15u"/.38u Au OVER 50U"/1.27u Ni	
-538 (LF)		STD							15u"/.38u Au OVER 50U"/1.27u Ni	
-539 (LF)		LP							15u"/.38u Au OVER 50U"/1.27u Ni	
67916-540 (LF)	2x15	NO	SO	2.26/57.40	1.400/35.56	1.720/43.69	.675/17.15	1.86/47.24	30u"/.76u Au OVER 50U"/1.27u Ni	D

mat'l. code		tolerances unless otherwise specified		CUSTOMER COPY		FCJ www.fciconnect.com	
ltr	ecn no	dr	date	linear	.XX±.01/.XX±.3	projection	title
E					.XXX±.005/.XX±.13		HEADER, QUICKIE
				angles	.XXX±.0020/.XXX±.051		SEA, HORSE, RIGHT ANGLE
				dr	0°±2°	INCH/MM	product family
				enrg	J. SHREINER 7/16/90	scale	QUICKIE
				chr	M. SMYK 7/16/90	5:1	size
				appd	M. SMYK 7/16/90	A	dwg no
				sheet index			67916
				revision sheet			code
							18 of 20

PDM: Rev:E

STATUS: Released

Printed: Apr 12, 2011

Tous droits strictement réservés. Reproduction ou communication à des tiers interdite sous quelque forme que ce soit sans autorisation écrite du propriétaire. Propriété de c FCI. Droits de reproduction FCI.



All rights strictly reserved. Reproduction or issue to third parties in any form whatsoever is not permitted without written authority from the proprietor. Property of FCI. Copyright FCI.

PRODUCT NO.	SIZE	LATCHES NOTE 9	PIN SHAPE	DIM A	DIM B	DIM C	DIM D	DIM E	TERMINAL PLATING NOTE 13	STYLE
67916-541(LF)	2x15	STD	SQ	2.26/57.40	1.400/35.56	1.720/43.69	.675/17.15	1.86/47.24	30u"/.76u Au OVER 50u"/1.27u Ni	D
-542(LF)		LP							30u"/.76u Au OVER 50u"/1.27u Ni	
-543(LF)		NO							30u"/.76u GXT /GOLD FLASH	
-544(LF)		STD							30u"/.76u GXT /GOLD FLASH	
-545(LF)		LP							30u"/.76u GXT /GOLD FLASH	
-546(LF)		NO							150u"/3.81u TIN	
-547(LF)		STD							150u"/3.81u TIN	
-548(LF)	2x15	LP	SQ	2.26/57.40	1.400/35.56	1.720/43.69	.675/17.15	1.86/47.24	150u"/3.81u TIN	
-549(LF)	2x22	NO	RND	2.96/75.18	2.100/53.34	2.420/61.47	.105/2.67	2.56/65.02	15u"/.38u Au OVER 50u"/1.27u Ni	
-550(LF)		STD							15u"/.38u Au OVER 50u"/1.27u Ni	
-551(LF)		LP							15u"/.38u Au OVER 50u"/1.27u Ni	
-552(LF)		NO							30u"/.76u Au OVER 50u"/1.27u Ni	
-553(LF)		STD							30u"/.76u Au OVER 50u"/1.27u Ni	
-554(LF)		LP							30u"/.76u Au OVER 50u"/1.27u Ni	
-555(LF)		NO							30u"/.76u GXT /GOLD FLASH	
-556(LF)		STD							30u"/.76u GXT /GOLD FLASH	
-557(LF)		LP	RND						30u"/.76u GXT /GOLD FLASH	
-558(LF)		NO	SQ						150u"/3.81u TIN	
-559(LF)		STD	SQ						150u"/3.81u TIN	
-560(LF)		LP	SQ				.105/2.67		150u"/3.81u TIN	
-561(LF)		NO	RND				.150/3.81		15u"/.38u Au OVER 50u"/1.27u Ni	
-562(LF)		STD							15u"/.38u Au OVER 50u"/1.27u Ni	
-563(LF)		LP							15u"/.38u Au OVER 50u"/1.27u Ni	
-564(LF)		NO							30u"/.76u Au OVER 50u"/1.27u Ni	
-565(LF)		STD							30u"/.76u Au OVER 50u"/1.27u Ni	
-566(LF)		LP							30u"/.76u Au OVER 50u"/1.27u Ni	
-567(LF)		NO							30u"/.76u GXT /GOLD FLASH	
-568(LF)		STD							30u"/.76u GXT /GOLD FLASH	
-569(LF)		LP	RND						30u"/.76u GXT /GOLD FLASH	
-570(LF)		NO	SQ						150u"/3.81u TIN	
-571(LF)		STD							150u"/3.81u TIN	
-572(LF)		LP					.150/3.81		150u"/3.81u TIN	
-573(LF)		NO					.105/2.67		15u"/.38u Au OVER 50u"/1.27u Ni	
-574(LF)		STD							15u"/.38u Au OVER 50u"/1.27u Ni	
-575(LF)		LP							15u"/.38u Au OVER 50u"/1.27u Ni	
67916-576(LF)	2x22	NO	SQ	2.96/75.18	2.100/53.34	2.420/61.47	.105/2.67	2.56/65.02	30u"/.76u Au OVER 50u"/1.27u Ni	D

mat'l. code		tolerances unless otherwise specified		CUSTOMER COPY		www.fciconnect.com	
ltr	ecr no	dr	date	linear	.XX±.01/.X±.3	projection	title
E					.XXX±.005/.XX±.13		HEADER, QUICKIE
				angles	.XXX±.0020/.XXX±.051	$0^\circ \pm 2'$	SEA, HORSE, RIGHT ANGLE
				dr	J. SHREINER 7/16/90		product family QUICKIE
				enrg	M. SMYK 7/16/90	scale	size dwg no
				chr	M. SMYK 7/16/90	5:1	A 67916
				appd	M. SMYK 7/16/90		code
sheet index	revision sheet						sheet 19 of 20

1

2

3

4

PRODUCT NO.	SIZE	LATCHES NOTE 9	PIN SHAPE	DIM A	DIM B	DIM C	DIM D	DIM E	TERMINAL PLATING NOTE 13	STYLE
67916-577(LF)	2x22	STD	SQ	2.960/75.18	2.100/53.34	2.420/61.47	.105/2.67	2.56/65.02	30u"/.76u Au OVER 50U"/1.27u Ni	D
-578(LF)		LP					.105/2.67		30u"/.76u Au OVER 50U"/1.27u Ni	
-579(LF)		NO					.150/3.81		15u"/.38u Au OVER 50U"/1.27u Ni	
-580(LF)		STD					.150/3.81		15u"/.38u Au OVER 50U"/1.27u Ni	
-581(LF)		LP					.150/3.81		15u"/.38u Au OVER 50U"/1.27u Ni	
-582(LF)		NO					.675/17.15		15u"/.38u Au OVER 50U"/1.27u Ni	
-583(LF)		STD							15u"/.38u Au OVER 50U"/1.27u Ni	
-584(LF)		LP							15u"/.38u Au OVER 50U"/1.27u Ni	
-585(LF)		NO							30u"/.76u Au OVER 50U"/1.27u Ni	
-586(LF)		STD							30u"/.76u Au OVER 50U"/1.27u Ni	
-587(LF)		LP							30u"/.76u Au OVER 50U"/1.27u Ni	
-588(LF)		NO							30u"/.76u GXT /GOLD FLASH	
-589(LF)		STD							30u"/.76u GXT /GOLD FLASH	
-590(LF)		LP							30u"/.76u GXT /GOLD FLASH	
-591(LF)		NO							150u"/3.81u TIN	
-592(LF)		STD							150u"/3.81u TIN	
-593(LF)	2x22	LP	SQ	2.960/75.18	2.100/53.34	2.420/61.47	.675/17.15	2.56/65.02	150u"/3.81u TIN	D
-594(LF)										
U N A V A I L A B L E										
-595(LF)	2x13	STD	RND	2.060/52.32	1.200/30.48	1.520/38.61	.105/2.67	1.66/42.2	50u"/1.27u Au OVER 50U"/1.27u Ni	D
-596(LF)	2x17	STD		2.460/62.48	1.600/40.64	1.920/48.77	.150/3.81	2.06/53.3		D
-597(LF)	2x7	LP		1.460/37.08	.600/15.24	.920/23.67	.105/2.67	1.06/26.9		C
-598(LF)	2x13	LP		2.060/52.32	1.200/30.48	1.520/38.61	.150/3.81	1.66/42.2		D
-599(LF)	2x13	NO		2.060/52.32	1.200/30.48	1.520/38.61	.105/2.67	1.66/42.2		D
-600(LF)	2x17	NO		2.460/62.48	1.600/40.64	1.920/48.77	.150/3.81	2.06/53.3		D
-601(LF)	2x7	NO		1.460/37.08	.600/15.24	.920/23.67	.105/2.67	1.06/26.9		C
-602(LF)	2x13	NO	RND	2.060/52.32	1.200/30.48	1.520/38.61	.150/3.81	1.66/42.2	50u"/1.27u Au OVER 50U"/1.27u Ni	D
-603(LF)	2x13	STD	SQ	2.060/52.32	1.200/30.48	1.520/38.61	.105/2.67	1.66/42.2	30u"/.76u GXT /GOLD FLASH	D
-604(LF)	2x13	NO	SQ	2.060/52.32	1.200/30.48	1.520/38.61	.105/2.67	1.66/42.2	30u"/.76u GXT /GOLD FLASH	D
-605(LF)	2x25	STD	SQ	3.260/82.80	2.400/60.69	2.720/69.09	.105/2.67	2.86/72.6	30u"/.76u GXT /GOLD FLASH	D
-606(LF)	2x25	NO	SQ	3.260/82.80	2.400/60.69	2.720/69.09	.105/2.67	2.86/72.6	30u"/.76u GXT /GOLD FLASH	D
-607(LF)										
U N A V A I L A B L E										
67916-608(LF)										
U N A V A I L A B L E										

Tous droits strictement réservés. Reproduction ou communication à des tiers interdite sous quelque forme que ce soit sans autorisation écrite du propriétaire. Propriété de c FCI. Droits de reproduction FCI.



All rights strictly reserved. Reproduction or issue to third parties in any form whatsoever is not permitted without written authority from the proprietor. Property of FCI. Copyright FCI.

mat'l. code		tolerances unless otherwise specified		CUSTOMER COPY		 www.fciconnect.com	
ltr	ecn no	dr	date	linear	.XX±.01/.X±.3	projection	title
E					.XXX±.005/.XX±.13	 INCH/MM	HEADER, QUICKIE
					.XXX±.0020/.XXX±.051		SEA, HORSE, RIGHT ANGLE
				angles	0°±2°	 5:1	product family
				dr	J. SHREINER 7/16/90		QUICKIE
				enrg	M. SMYK 7/16/90		code
				chr	M. SMYK 7/16/90	size	67916
				appd	M. SMYK 7/16/90	dwg no	20 of 20
sheet index	revision sheet						

PDM: Rev:E

STATUS: Released

Printed: Apr 12, 2011

1

2

3

4