

## Excellent Integrated System Limited

Stocking Distributor

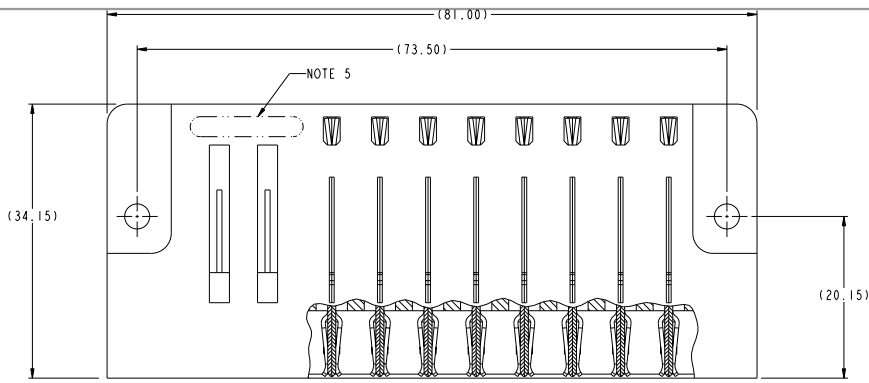
Click to view price, real time Inventory, Delivery & Lifecycle Information:

[FCI](#)

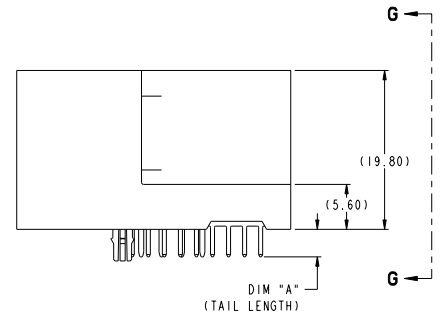
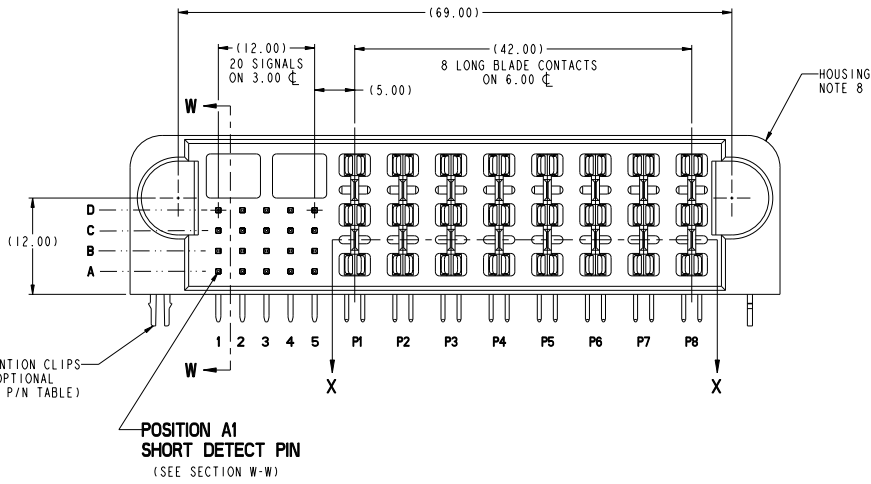
[10078546-001LF](#)

For any questions, you can email us directly:

[sales@integrated-circuit.com](mailto:sales@integrated-circuit.com)

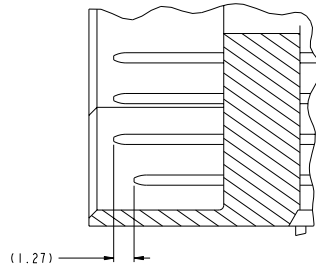


**SECTION X-X**

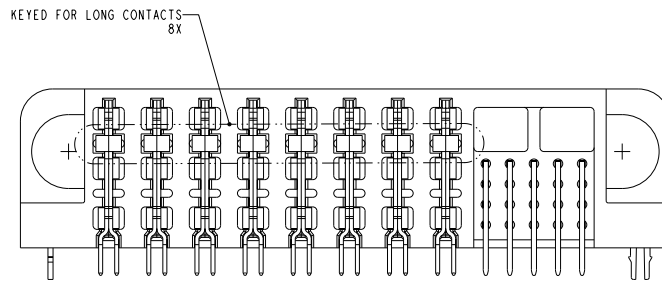


www.fciconnect.com		surface	tolerance std	projection	mm
		ASME Y14.5	ASME Y14.5		
		TOLERANCES UNLESS OTHERWISE SPECIFIED			
ref	rch no	dr	date	angular	linear
A	V07-0402	TH	2007-04-13	0.1	0.10
B	V08-0006	BAB	2008-01-03	0.125	0.050
C	V00-0243	TH	2000-04-03		
Dr. T. HOUTZ		2007-04-26		Product family	
Eng. H. NGO		2007-04-26		HCl Spec ref	
Chr. H. NGO		2007-04-26		HCl	
Appr. H. NGO		2007-04-26		HCl	
FCI		R/A HDR ASSY 20S-8P(STL)		10078546	
FCI		HCl POWER CONNECTOR		CUSTOMER	
cat no		7		PDM: Rev:C	
		STATUS: Released		8 Printed: Dec 18, 2010	

Copyright FCI



**SECTION W-W**  
**SCALE 6:1**  
 SIGNAL MATING  
 SEQUENCE



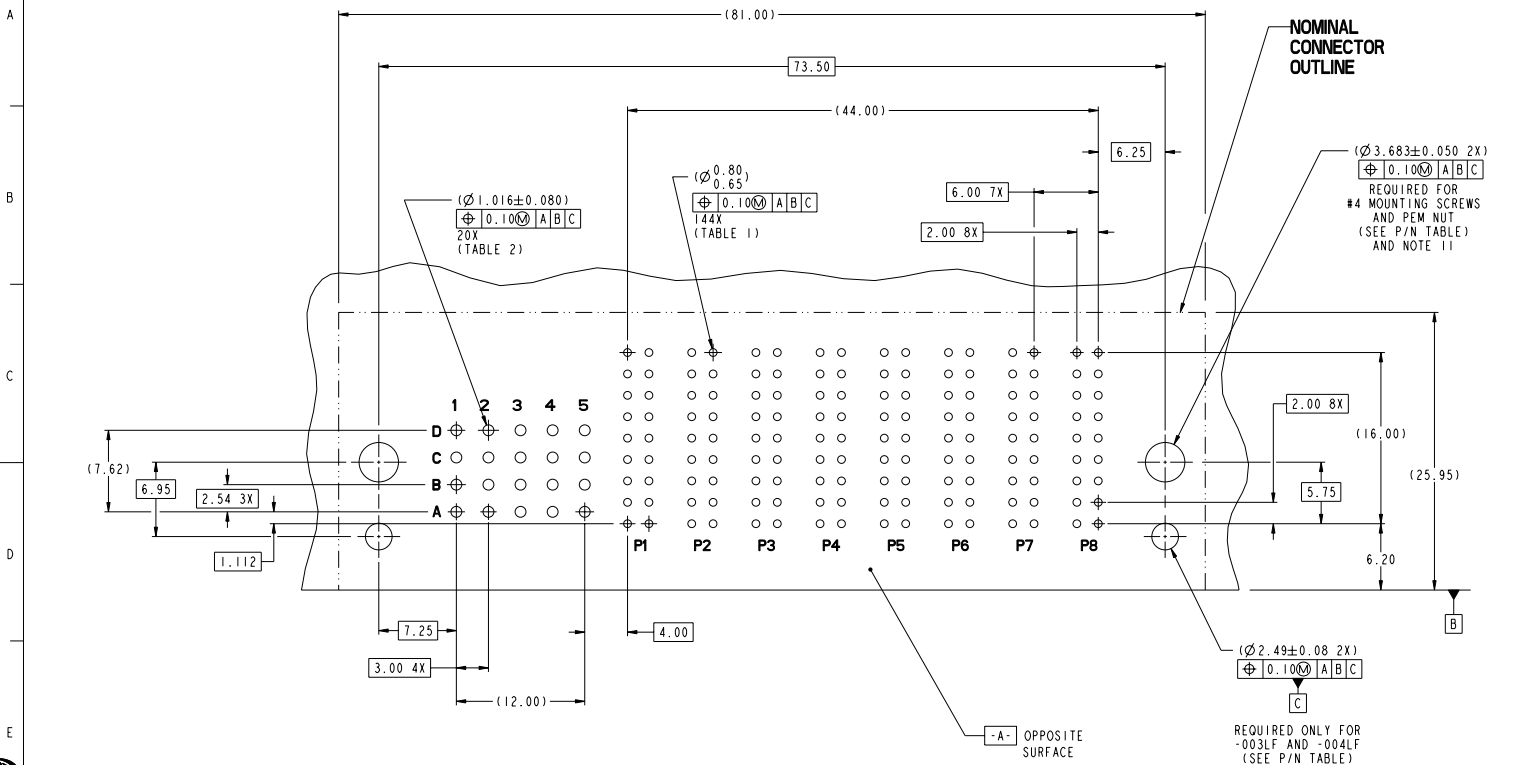
**VIEW G-G**

	FCI	R/A HDR ASSY 20S-8P(STL)	REV. NO.	10078546	REV.
	FCI	HC1 POWER CONNECTOR	CUSTOMER		C
DRAWING NO.			STATUS: Released 8		

**PDM: Rev: C**

Printed: Dec 18, 2010

Copyright: FCI.



**RECOMMENDED PCB LAYOUT  
COMPONENT SIDE**

NOTE 6

<b>FCI</b> FCI logo	Part No	R/A HDR ASSY 20S-8P(STL)	Rev.	
	Category	HCI POWER CONNECTOR	10078546	C
Customer No		CUSTOMER	Sheet 3 of 5	

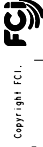
Copyright FCI

A  
B  
C  
D  
E  
F

A  
B  
C  
D  
E  
F

TOP LAYER DESCRIPTION	TABLE 1 (HCI POWER) PLATED THROUGH-HOLE REQUIREMENTS							
	DRILLED HOLE DIAMETER	COPPER THICKNESS	TIN-LEAD THICKNESS	NICKEL THICKNESS	GOLD THICKNESS	TIN THICKNESS	SILVER THICKNESS	FINISHED HOLE DIAMETER
TIN-LEAD	0.81-0.86 (0.85 DRILL)	0.025 - 0.050	0.005 - 0.015	--	--	--	--	0.65 - 0.80
IMMERSSION TIN	0.81-0.86 (0.85 DRILL)	0.025 - 0.050	--	--	--	0.9 - 1.5um	--	0.70 - 0.80
IMMERSSION SILVER	0.81-0.86 (0.85 DRILL)	0.025 - 0.050	--	--	--	--	0.15 - 0.65um	0.70 - 0.80
COPPER (SEE NOTE 9)	0.81-0.86 (0.85 DRILL)	0.025 - 0.050	--	--	--	--	--	0.70 - 0.80
GOLD	0.81-0.86 (0.85 DRILL)	0.025 - 0.050	--	0.003 - 0.007	FLASH UP TO 0.0002	--	--	0.69 - 0.80

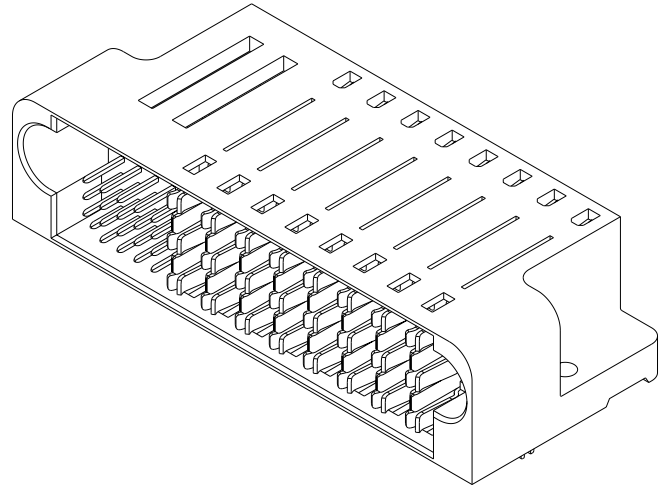
TOP LAYER DESCRIPTION	TABLE 2 (HPC SIGNALS) PLATED THROUGH-HOLE REQUIREMENTS							
	DRILLED HOLE DIAMETER	COPPER THICKNESS	TIN-LEAD THICKNESS	NICKEL THICKNESS	GOLD THICKNESS	TIN THICKNESS	SILVER THICKNESS	FINISHED HOLE DIAMETER
TIN-LEAD	1.125-1.175 ( $\varnothing .0453 \pm .0010$ )	0.025-0.050	0.005-0.015	--	--	--	--	0.94 - 1.10 ( $\varnothing .040 \pm .003$ )
IMMERSSION TIN			--	--	--	--	--	
IMMERSSION SILVER			--	--	--	--	--	
COPPER (SEE NOTE 9)			--	--	--	--	--	
GOLD			--	--	--	--	--	



Copyright FCI

	TITLE R/A HDR ASSY 20S-8P(STL)	Dwg no 10078546	Rev. C
	CATEGORY HCI POWER CONNECTOR	CUSTOMER	sheet 4 of 5

PART NUMBER	RETENTION CLIPS	#4 SCREW	DIM A (TAIL LENGTH)	TAIL TYPE
10078546-001LF	NO	YES	3.43	SOLDER TAIL
10078546-002LF	NO	YES	4.70	SOLDER TAIL
10078546-003LF	YES	NO	3.43	SOLDER TAIL
10078546-004LF	YES	NO	4.70	SOLDER TAIL



NOTES:

1. CONNECTOR MATERIALS:  
HOUSING: HIGH TEMPERATURE THERMOPLASTIC, BLACK  
UL 94V-0 COMPLIANT  
CONTACTS: HIGH PERFORMANCE COPPER ALLOY
2. CONTACT FINISH (ref GS-12-380 SECTION 5.2)
3. PRODUCT SPECIFICATION: GS-12-380.
4. APPLICATION SPECIFICATION: GS-20-070.
5. PRODUCT MARKING (PRODUCT NUMBER & DATE CODE) ON HOUSING IN AREA SHOWN.
6. MINIMUM NOMINAL PCB THICKNESS: 1.6mm
7. PACKAGING MEETS FCI SPECIFICATION GS-14-1073.
8. HOUSING COMPONENT WILL WITHSTAND EXPOSURE TO 260°C PEAK TEMPERATURE FOR 60 SECONDS IN A CONVECTION, INFRA-RED, OR VAPOR PHASE REFLOW OVEN.
9. COPPER PLATING THICKNESS IN CENTER OF VIA-HOLE CAN BE NO MORE THAN 0.003 LESS THAN OTHER AREAS.
10. ALL HOLE SIZES ARE FINISHED HOLE SIZES.
11. MOUNTING HOLES ARE UNPLATED.

	TITLE R/A HDR ASSY 20S-8P(STL)	Dwg no 10078546	Rev. C
	CATEGORY HCl POWER CONNECTOR	CUSTOMER	sheet 5 of 5

Copyright FCI