

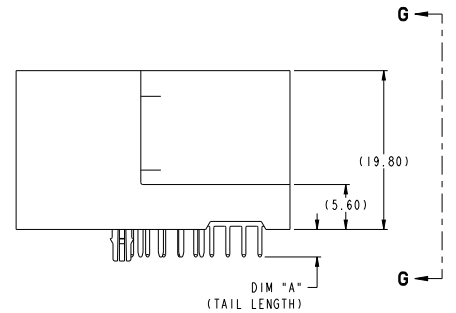
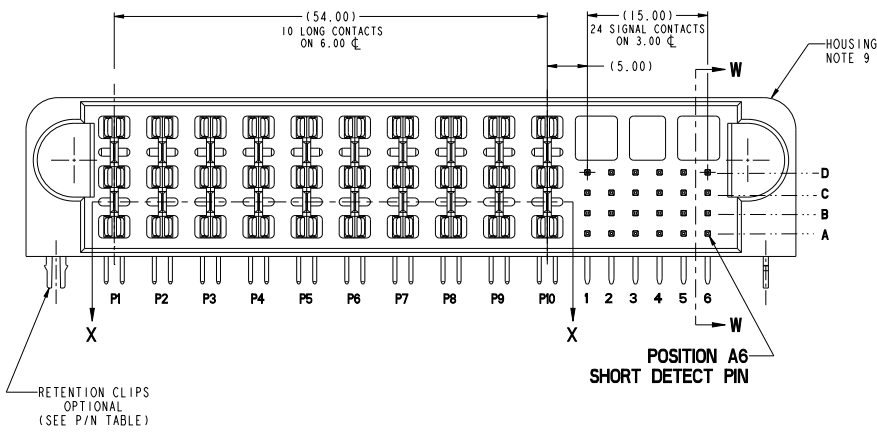
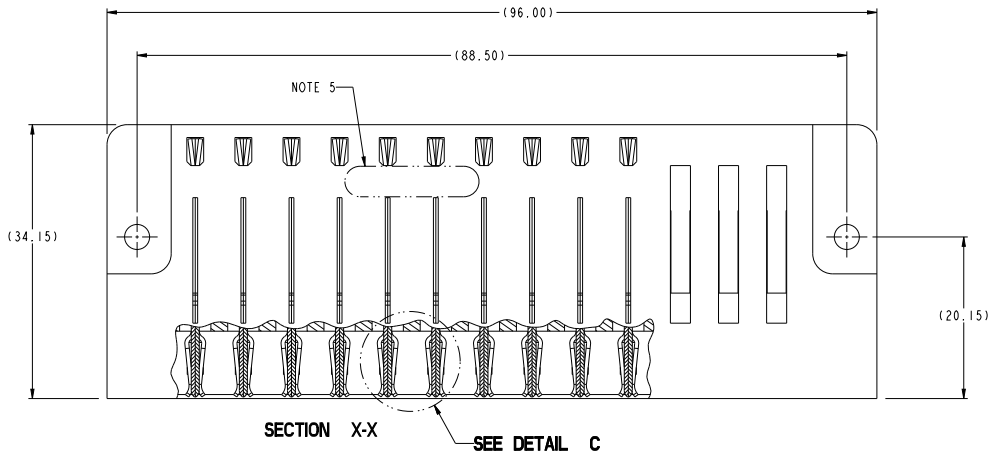
## Excellent Integrated System Limited

Stocking Distributor

Click to view price, real time Inventory, Delivery & Lifecycle Information:

[FCI](#)  
[10088054-003LF](#)

For any questions, you can email us directly:  
[sales@integrated-circuit.com](mailto:sales@integrated-circuit.com)



spec ref		dr	WenJian.Du	approved	projection	MM	size	A2	scale	1:1
tolerance std	ASME Y14.5	eng	WenJian.Du	checked	1st angle		acc no		rel level	Released
TOLERANCES UNLESS OTHERWISE SPECIFIED		chr	WenJian.Du	approved	product family	HCI	rev			
surface	linear	0.1	±0.5	FCI	R/A HEADER ASSY 10DC-24S	10088054				
		0.2X	±0.25	www.fci.com	HCI POWER CONNECTOR					
		0.3X	±0.10							
ASME Y14.5	angular	0°	±2°							

PDS: Rev :C

STATUS: Released

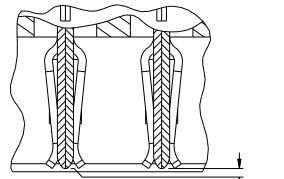
Printed: Dec 30, 2014

2

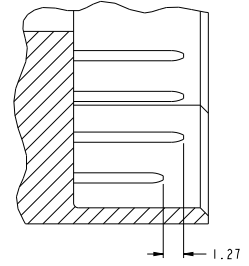
3

4

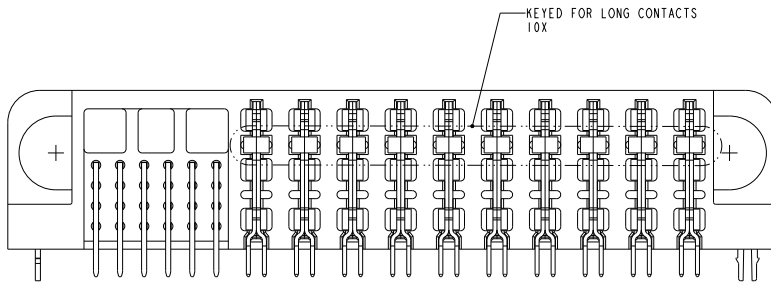
5



**DETAIL C**  
**SCALE 6:1**  
POWER MATING  
SEQUENCE



**SECTION W-W**  
**SCALE 6:1**  
SIGNAL MATING  
SEQUENCE



**VIEW G-G**

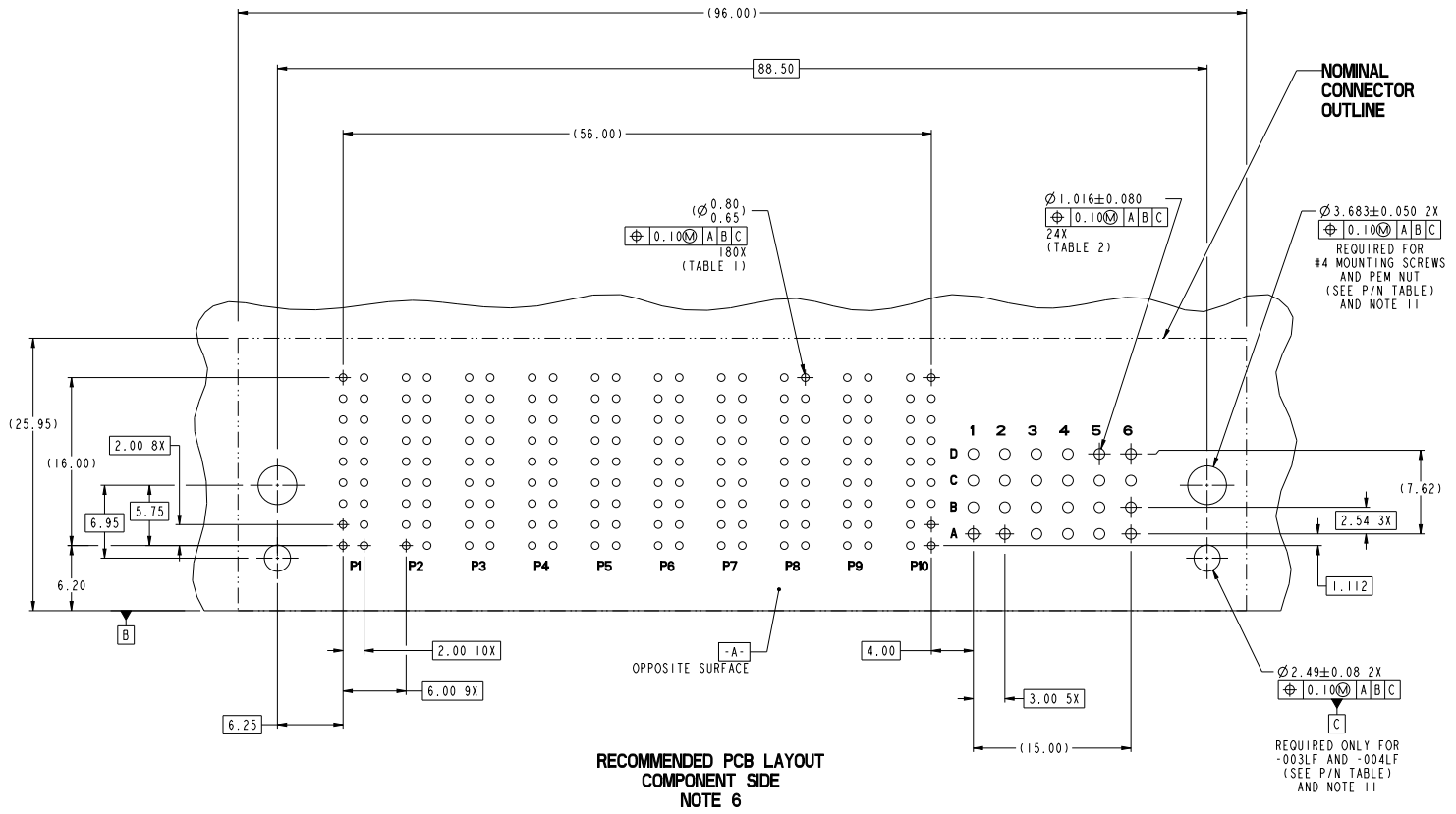
dr: <a href="#">Yi-Hong-Du</a>	designed: <a href="#">JINSHAN</a>	projection: <b>MM</b>	size: <b>A2</b>	scale: <b>1:1</b>
eng: <a href="#">Yi-Hong-Du</a>	checked: <a href="#">JINSHAN</a>	product family: <b>HCI</b>	rel level: <b>Released</b>	acc no: <b>10088054</b>
opr: <a href="#">Yi-Hong-Du</a>	approved: <a href="#">JINSHAN</a>			
		<b>R/A HEADER ASSY 10DC-24S</b>		rev: <b>C</b>
<b>HCI POWER CONNECTOR</b>		Product - Customer Draw sheet 2 of 5		

PDS: Rev :C

STATUS: Released

Printed: Dec 30, 2014

Copyright FCI



**RECOMMENDED PCB LAYOUT  
COMPONENT SIDE  
NOTE 6**

dr	WenJian.Du	designer	projection	MM	size	A2	scale	1:1
eng	WenJian.Du	designer	①		acc no			
chr					product family	HCI	rel level	Released
appr	WeiWang.Zhang	designer						
		R/A HEADER ASSY 10DC-24S		part no	10088054		rev	C
www.fci.com		cat. no.		Product	Customer Draw		sheet 3 of 5	

A  
B  
C  
D  
E  
F

A  
B  
C  
D  
E  
F

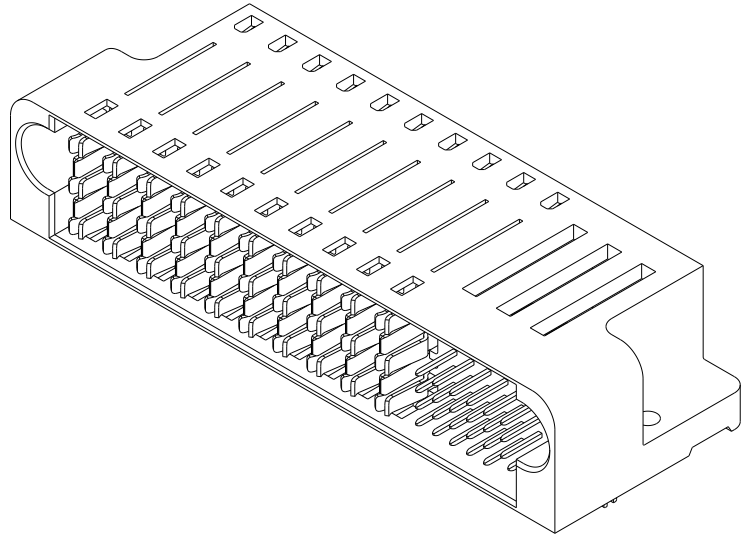
TOP LAYER DESCRIPTION	TABLE 1 (HCI POWER) PLATED THROUGH-HOLE REQUIREMENTS							
	DRILLED HOLE DIAMETER	COPPER THICKNESS	TIN-LEAD THICKNESS	NICKEL THICKNESS	GOLD THICKNESS	TIN THICKNESS	SILVER THICKNESS	FINISHED HOLE DIAMETER
TIN-LEAD	0.81-0.86 (0.85 DRILL)	0.025 - 0.050	0.005 - 0.015	--	--	--	--	0.65 - 0.80
IMMERSION TIN	0.81-0.86 (0.85 DRILL)	0.025 - 0.050	--	--	--	0.9 - 1.5um	--	0.70 - 0.80
IMMERSION SILVER	0.81-0.86 (0.85 DRILL)	0.025 - 0.050	--	--	--	--	0.15 - 0.65um	0.70 - 0.80
COPPER (SEE NOTE 9)	0.81-0.86 (0.85 DRILL)	0.025 - 0.050	--	--	--	--	--	0.70 - 0.80
GOLD	0.81-0.86 (0.85 DRILL)	0.025 - 0.050	--	0.003 - 0.007	FLASH UP TO 0.0002	--	--	0.69 - 0.80

TOP LAYER DESCRIPTION	TABLE 2 (HPC SIGNALS) PLATED THROUGH-HOLE REQUIREMENTS							
	DRILLED HOLE DIAMETER	COPPER THICKNESS	TIN-LEAD THICKNESS	NICKEL THICKNESS	GOLD THICKNESS	TIN THICKNESS	SILVER THICKNESS	FINISHED HOLE DIAMETER
TIN-LEAD	1.125-1.175 ( $\varnothing .0453 \pm .0010$ )	0.025-0.050	0.005-0.015	--	--	--	--	0.94 - 1.10 ( $\varnothing .040 \pm .003$ )
IMMERSION TIN			--	--	--	--	--	
IMMERSION SILVER			--	--	--	--	--	
COPPER (SEE NOTE 9)			--	--	--	--	--	
GOLD			--	--	--	--	--	

Copyright FCI

dr: <small>Yi-Hsiang Shiao</small>	designed	projection	MM	size	A2	scale	1:1
eng: <small>Yi-Hsiang Shiao</small>	checked			acc no		date	10/20/2014
chr: <small>Yi-Hsiang Shiao</small>	approved			product family	HCI	rel level	Released
appr: <small>Yi-Hsiang Shiao</small>	approved						
	R/A HEADER ASSY 10DC-24S		part no	10088054		rev	C
www.fci.com	cat. no.	HCI POWER CONNECTOR		Product	Customer Draw	sheet 4 of 5	

PART NUMBER	RETENTION CLIPS	#4 SCREW	DIM A ±0.25 (TAIL LENGTH)	TAIL TYPE
10088054-001LF	NO	YES	3.43	SOLDER TAIL
10088054-002LF	NO	YES	4.70	SOLDER TAIL
10088054-003LF	YES	NO	3.43	SOLDER TAIL
10088054-004LF	YES	NO	4.70	SOLDER TAIL



NOTES:

1. CONNECTOR MATERIALS:  
HOUSING: HIGH TEMPERATURE THERMOPLASTIC, BLACK  
UL 94V-0 COMPLIANT  
CONTACTS: HIGH PERFORMANCE COPPER ALLOY
2. CONTACT FINISH(REF. GS-12-380 SECTION 5.2)
3. PRODUCT SPECIFICATION: GS-12-380. (IN PROGRESS)
4. APPLICATION SPECIFICATION: GS-20-070. (IN PROGRESS)
5. PRODUCT MARKING (PRODUCT NUMBER & DATE CODE) ON HOUSING IN AREA SHOWN.
6. MINIMUM NOMINAL PCB THICKNESS: 1.6mm
7. PACKAGING MEETS FCI SPECIFICATION GS-14-1073.
8. HOUSING COMPONENT WILL WITHSTAND EXPOSURE TO 260°C PEAK TEMPERATURE FOR 60 SECONDS IN A CONVECTION, INFRA-RED, OR VAPOR PHASE REFLOW OVEN.
9. COPPER PLATING THICKNESS IN CENTER OF VIA-HOLE CAN BE NO MORE THAN 0.003 LESS THAN OTHER AREAS.
10. ALL HOLE SIZES ARE FINISHED HOLE SIZES.
11. MOUNTING HOLES ARE UNPLATED.

dr: <a href="#">Yi-Hsuan Shiao</a>	designed by: <a href="#">shiao</a>	projection:	MM	size: A2	scale: 1:1
eng: <a href="#">Yi-Hsuan Shiao</a>	checked by: <a href="#">shiao</a>			acc no:	10088054
chr: <a href="#">Yi-Hsuan Shiao</a>	approved by: <a href="#">shiao</a>	product family: HCl	rel level: Released		
oppr: <a href="#">Yi-Hsuan Shiao</a>	approved by: <a href="#">shiao</a>				
		R/A HEADER ASSY 10DC-24S		10088054	
<a href="http://www.fci.com">www.fci.com</a>		HCl POWER CONNECTOR		rev C	
cat. no.		Product - Customer Draw		sheet 5 of 5	

PDS: Rev :C

STATUS: Released

Printed: Dec 30, 2014

Copyright FCI