

Excellent Integrated System Limited

Stocking Distributor

Click to view price, real time Inventory, Delivery & Lifecycle Information:

[FCI](#)

[67018-001LF](#)

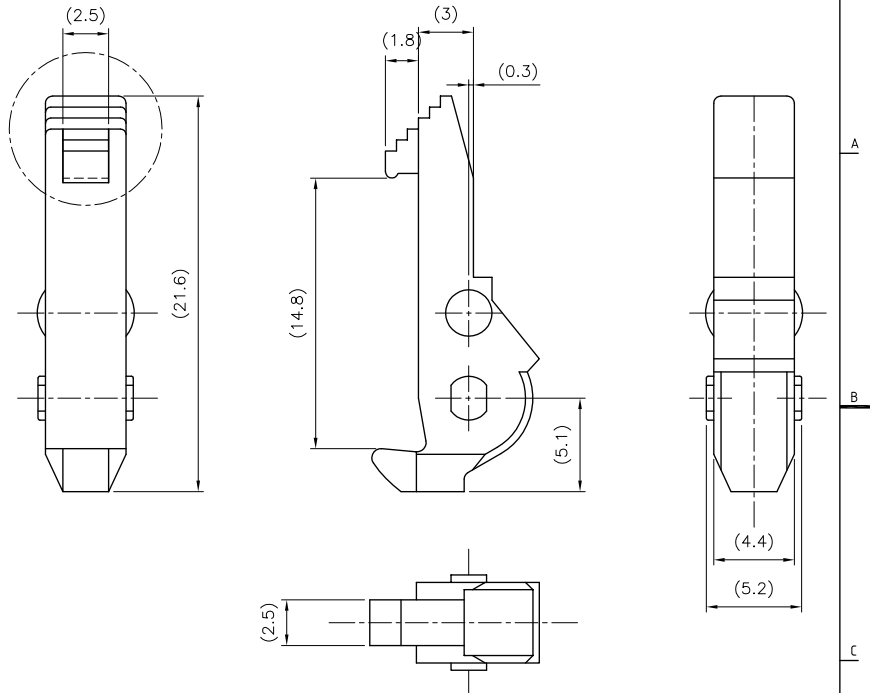
For any questions, you can email us directly:

sales@integrated-circuit.com

PRODUCT NUMBER
67018-X01LF

RoHS COMPATIBLE, SEE NOTE 3

CODE	COLOUR
0	GREY
1	BLUE
2	BLACK



NOTES:

- MOLDING MATERIAL : 30% GLASSFIBER POLYESTER, FLAME RETARDANT PER UL-94-V0
COLOR : GREY, OR BLUE (SEE TABLE)
- 0.08 MAX. FLASH ALLOWED ON SPLIT LINE
- RoHS COMPATIBLE PRODUCT
 - LABELLING:
 - MEETS PACKAGING SPECS AS PER GS-14-920
 - LEGAL STATEMENT: SEE GS-47-0004
 - THE PRODUCT IS NOT INTENDED TO BE EXPOSED TO MANUFACTURING SOLDER PROCESS
 - PRODUCT MEETS WITH EU 2002/EG/95

mat'l. code	surface	tolerance	projection	product family
SEE NOTES	ISO 1302	ISO 406 ISO 1101	mm	QUICKIE
ltr	ecm	no	dr	date
B	F08395	VMO	98.07.27	
C	F05-0257	LMU	05.10.11	
D	F06-0274	LMU	06.10.18	
E	B-16667	JCO	14.01.07	
F	B-19563	BVE	14.11.27	
G	B-19927	BVE	15.01.08	
		appd	JCO	14.01.07
sheet index	revision sheet			

title	EJECTOR LATCH STANDARD
dwg no	67018
sheet 1 of 1	size A3
type	CUSTOMER Drawing