

## Excellent Integrated System Limited

Stocking Distributor

Click to view price, real time Inventory, Delivery & Lifecycle Information:

[FCI](#)

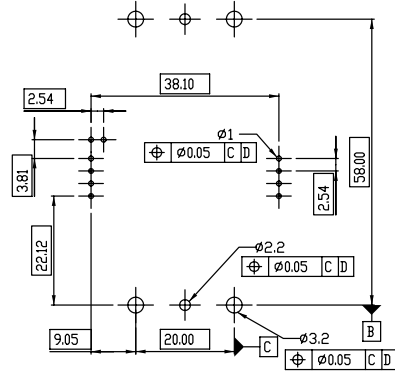
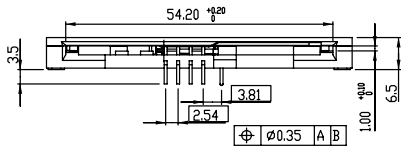
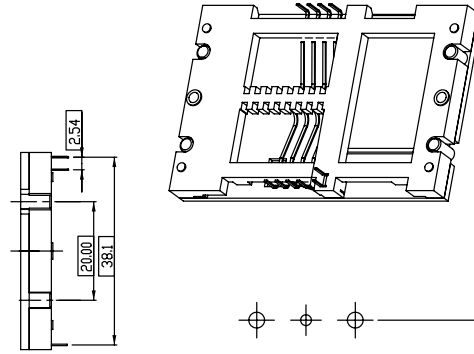
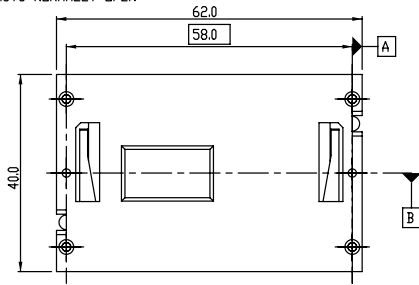
[10116976-1211ALF](#)

For any questions, you can email us directly:

[sales@integrated-circuit.com](mailto:sales@integrated-circuit.com)

PRODUCT NO.  
 10116976-1211FLF  
 10116976-1211ALF

SENSOR TYPE:  
 F: BLADE CONTACTS NORMALLY CLOSED  
 A: BLADE CONTACTS NORMALLY OPEN



NOTES:

- MATERIAL:  
 CONTACT: PHOSPHOR BRONZE  
 BASE: UL 94V-0 THERMOPLASTIC  
 COVER: UL 94V-0 THERMOPLASTIC
- PLATING:  
 CONTACT AREA: 0.38um Au  
 SOLDER TAIL AREA: 3um MATTE PURE  
 1.25um NICKEL UNDERPLATE OVER ALL SURFACES
- THE HOUSING WILL WITHSTAND EXPOSURE TO 260°C PEAK TEMPERATURE FOR 10 SECONDS IN A WAVE SOLDER APPLICATION WITH A 1.6mm MIN. THICK CIRCUIT BOARD
- PRODUCT SPEC: GS-12-316  
 PACKAGE SPEC: GS-14-976

mat'l. code	surface	tolerance	projection	product family
	ISO 1301	ISO 406 ISO 1101		SMART CARD
tr ecn nchr date	tolerances unless otherwise specified		title	
A N11-0093 SH 2011-03-28	angles	0.3±0.3	SMART CARD CONNECTOR	
B SH-EX-0113 SH 2012-05-16	limits	0.00±0.13		
	scale	0.000±0.050	mm	
	dr	SH MIAO 2010-12-16	scale: 0.000	
	enr	SH MIAO 2010-12-16		
	chr	RICK BIAN 2010-12-16		
	appd	RICK BIAN 2010-12-16		
sheet index	revision	sheet	1	