

## Excellent Integrated System Limited

Stocking Distributor

Click to view price, real time Inventory, Delivery & Lifecycle Information:

[FCI](#)  
[92140-001HLF](#)

For any questions, you can email us directly:

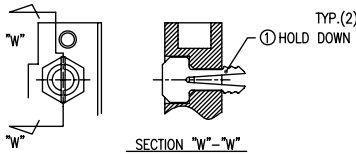
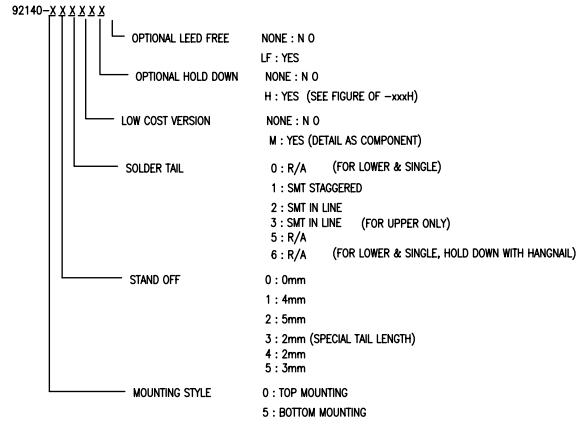
[sales@integrated-circuit.com](mailto:sales@integrated-circuit.com)

FCI CONFIDENTIAL

FCI

This document is the property of FCI and contains CONFIDENTIAL and PROPRIETARY information of FCI. No part of this information may be reproduced, stored in a retrieval system, or transmitted in any form or by any means, without the prior written consent of FCI. Copyright © FCI

PRODUCT NO.	PRODUCT NO. STAND OFF	SOLDER TAIL	DM "P" (mm)	DM "Q" (mm)	FOR LOWER DECK OR UPPER DECK	HOLD DOWN	LOCATOR FOR SOLDER TAIL ALIGNMENT	SHEET NO.	MOUNTING STYLE TO PCB
92140	92140-xxxx	DM/P (mm)							
	000M	0	R/A	2.8	---	---	---	NO.2	TOP MOUNT [92140-0000]
	000LF	0	R/A	2.8	---	---	---		
	000MLF	0	R/A	2.8	---	---	---		
	000H	0	R/A	2.8	---	---	---		
	000HLF	0	R/A	2.8	---	---	---		
	001	0	SMT SIG.	---	---	---	---		
	001LF	0	SMT SIG.	---	---	---	---		
	001H	0	SMT SIG.	---	---	---	---		
	001HLF	0	SMT SIG.	---	---	---	---		
	002	0	SMT LL	---	---	---	---		
	002LF	0	SMT LL	---	---	---	---		
	002H	0	SMT LL	---	---	---	---		
	002HLF	0	SMT LL	---	---	---	---		
	010	4	R/A	2.8	---	---	---	NO.3	[BACK COLOR]
	010LF	4	R/A	2.8	---	---	---		
	010H	4	R/A	2.8	---	---	---		
	010HLF	4	R/A	2.8	---	---	---		
	020	5	R/A	2.8	---	---	---		
	020LF	5	R/A	2.8	---	---	---		
	020H	5	R/A	2.8	---	---	---		
	020HLF	5	R/A	2.8	---	---	---		
	040	2	R/A	2.5	---	---	---		
	040LF	2	R/A	2.5	---	---	---		
	040H	2	R/A	2.5	---	---	---		
	040HLF	2	R/A	2.5	---	---	---		
	050	3	R/A	2.8	---	---	---	NO.4	[BACK COLOR]
	050LF	3	R/A	2.8	---	---	---		
	050H	3	R/A	2.8	---	---	---		
	050HLF	3	R/A	2.8	---	---	---		
	005	FOR 0	R/A	2.8	8.8	UPPER	NONE		
	005LF	FOR 0	R/A	2.8	8.8	UPPER	NONE		
	045	FOR 2	R/A	2.5	10.3	UPPER	NONE		
	045LF	FOR 2	R/A	2.5	10.3	UPPER	NONE		
	500	0	R/A	2.8	---	---	---		
	500LF	0	R/A	2.8	---	---	---		
	500H	0	R/A	2.8	---	---	---		
	500HLF	0	R/A	2.8	---	---	---		
	501	0	SMT SIG.	---	---	---	---	NO.5	[BACK COLOR]
	501LF	0	SMT SIG.	---	---	---	---		
	501H	0	SMT SIG.	---	---	---	---		
	501HLF	0	SMT SIG.	---	---	---	---		
	502	0	SMT LL	---	---	---	---		
	502LF	0	SMT LL	---	---	---	---		
	502H	0	SMT LL	---	---	---	---		
	502HLF	0	SMT LL	---	---	---	---		
	503	0	SMT LL	---	---	---	---		
	503LF	0	SMT LL	---	---	---	---		
	510	4	R/A	2.8	---	---	---	NO.6	[BACK COLOR]
	510LF	4	R/A	2.8	---	---	---		
	510H	4	R/A	2.8	---	---	---		
	510HLF	4	R/A	2.8	---	---	---		
	520	5	R/A	2.8	---	---	---		
	520LF	5	R/A	2.8	---	---	---		
	520H	5	R/A	2.8	---	---	---		
	520HLF	5	R/A	2.8	---	---	---		
	530	2	R/A	1.48	---	---	---		
	530LF	2	R/A	1.48	---	---	---		
	540	2	R/A	2.5	---	---	---	NO.7	[BACK COLOR]
	540LF	2	R/A	2.5	---	---	---		
	540H	2	R/A	2.5	---	---	---		
	540HLF	2	R/A	2.5	---	---	---		
	505	FOR 0	R/A	2.8	8.8	UPPER	NONE		
	505LF	FOR 0	R/A	2.8	8.8	UPPER	NONE		
	535	FOR 2	R/A	1.48	9.28	UPPER	NONE		
	535LF	FOR 2	R/A	1.48	9.28	UPPER	NONE		
	545	FOR 2	R/A	2.5	10.3	UPPER	NONE		
	545LF	FOR 2	R/A	2.5	10.3	UPPER	NONE		



NOTE  
 1. THIS PRODUCT MEETS EUROPEAN UNION DIRECTIVES AND OTHER COUNTRY REGULATIONS AS DESCRIBED IN GS-22-008.  
 2. PRODUCT SPEC: 110-263

mat'l. code	surface	tolerance	projection	product family
ISO 1992	ISO 406	ISO 1991		PCMCIA
lfr	ecn no	dr	date	tolerances unless otherwise specified
AL	EX-11-011408	ZK	04/23/12	angles
AM	EX-11-16396	JH	11/29/13	linear
				±2°
		dr	Mike Zhou	11/21/06
AH	108-0219	MZ	11/14/06	enr
			Mike Zhou	11/21/06
AJ	109-0045	SH	05/26/09	chr
			David Qin	11/21/06
AK	EX-11-077846	ZK	11/01/11	appd
			Jack Wang	11/21/06
sheet	revision	AM		
index	sheet	1-7		

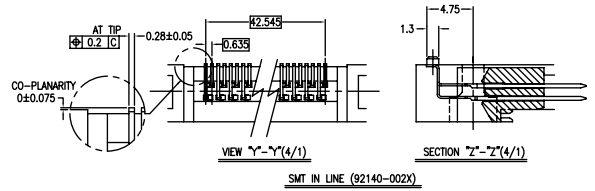
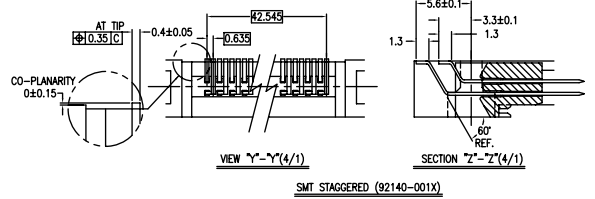
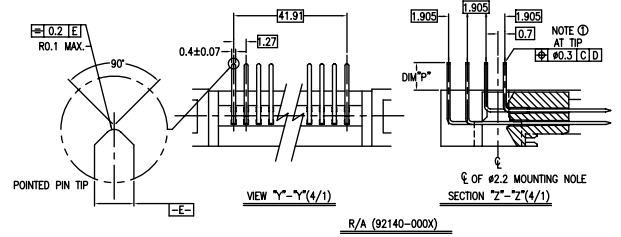
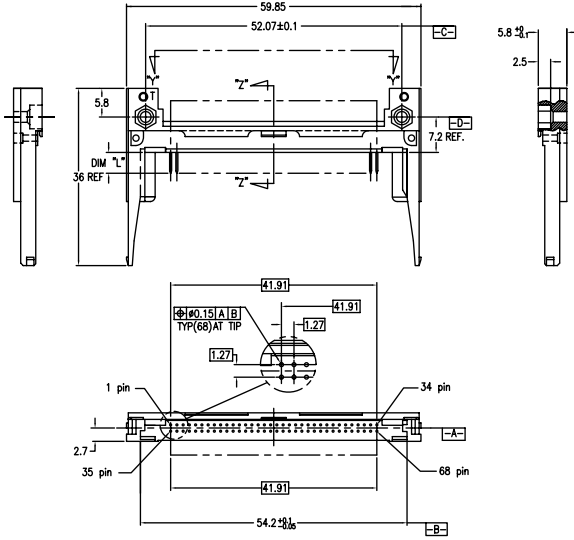
FCI CONFIDENTIAL

FCI

FCIconnect.com

This document is the property of FCI and contains CONFIDENTIAL and PROPRIETARY information of FCI. No part of this information may be reproduced, stored in a retrieval system, or transmitted in any form or by any means, without the written consent of FCI. Copyright © FCI

PRODUCT NO.
92140-000M
92140-000MLF
92140-000H
92140-000HLF
92140-001
92140-001LF
92140-001H
92140-001HLF
92140-002
92140-002LF
92140-002H
92140-002HLF



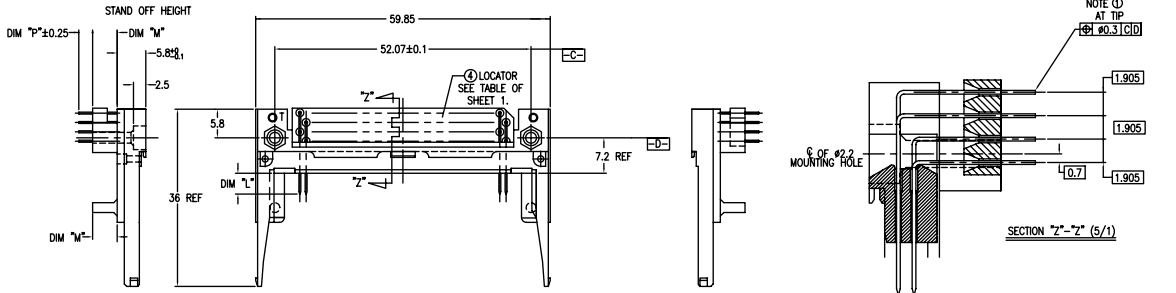
- NOTES**
- TRUE POSITION IS A FREE GRID TO PIN PATTERN ITSELF.
  - SEE TA-946 FOR PCB LAYOUT.
  - MATERIAL**  
 HOUSING : HIGH TEMPERATURE THERMOPLASTIC UL94V-0 BLACK  
 PIN : COPPER ALLOY.  
 HOLD-DOWN : BRASS
  - FINISH**  
 PIN  
 UNDER PLATING : 0.5µm MIN. Ni  
 CONTACT AREA : 0.076 µm MIN. GOLD  
 NOTE:SPECIAL VERSION-ONLY 0.25µm Au  
 SOLDER AREA : 2.5µm MIN. Sn-Pb  
 OR 2.5µm MIN. PURE Sn.(FOR -XXOLF)  
 HOLD-DOWN : 2.5µm MIN. PURE Sn.
5. RECOMMENDED PCB HOLE (OPTIONAL HOLD-DOWN) : 2.3±0.1
6. SEQUENCE PIN ASSIGNMENT
- |          |          |
|----------|----------|
| DIM "A"  |          |
| 4.25±0.1 | 5.04±0.1 |
| 3.67     | 3.5      |
7. GENERAL TOLERANCE : ±0.3  
 8. SEE SHEET 1 REGARDING COMPONENTS.

mat'l. code		surface	tolerance	projection	product family
AM		ISO 1982	ISO 406 ISO 1991	MM	PCMCIA
ltr	ecn no	dr	date	tolerances unless otherwise specified	title
				angles	68 POS EJECTOR HEADER ASSY
				linear	FOR 5.0V APPLICATION
				±2"	scale
				0.XX±0.13	dwg no
				0.XXX±0.051	sheet 2 of 7
					size
					A4
					type
					CUSTOMER Drawing
sheet	revision				
index	sheet				

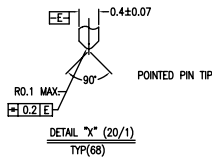
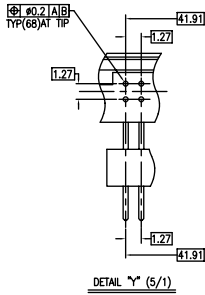
FCI CONFIDENTIAL

FCI

PRODUCT NO.	PRODUCT NO.
92140-010	92140-010LF
92140-010H	92140-010HLF
92140-020	92140-020LF
92140-020H	92140-020HLF
92140-040	92140-040LF
92140-050	92140-050LF
92140-050H	92140-050HLF
92140-020MLF	92140-040HLF
92140-021MLF	
92140-026HLF	



- NOTES
- TRUE POSITION IS A FREE GRID TO PIN PATTERN ITSELF.
  - SEE TA-946 FOR PCB LAYOUT.
  - MATERIAL  
HOUSING : HIGH TEMPERATURE THERMOPLASTIC UL94V-0 BLACK  
PIN : COPPER ALLOY  
HOLD-DOWN : BRASS
  - FINISH  
PIN  
UNDER PLATING : 0.5µm MIN. Ni  
CONTACT AREA 1 : 0.076 µm MIN. GOLD  
CONTACT AREA 2 : 0.076 µm MIN. GOLD ( FOR -XXXMLF).  
SOLDER AREA : 2.5µm MIN. Sn-Pb.  
OR 2.5µm MIN. PURE Sn.(FOR -XXXLF&XXXMLF)  
HOLD-DOWN : 2.5µm MIN. PURE Sn.
  - RECOMMENDED PCB HOLE (OPTIONAL HOLD-DOWN) : 2.3±0.1
  - SEQUENCE PIN ASSIGNMENT
- | PIN No. | DIM "V"  |         |
|---------|----------|---------|
|         | 4.25±0.1 | 3.5±0.1 |
| OTHERS  | 36.67    | 34.28   |
- GENERAL TOLERANCE : ±0.3
  - SEE SHEET 1 REGARDING COMPONENTS.
  - THIS PRODUCT MEETS EUROPEAN UNION DIRECTIVES AND OTHER COUNTRY REGULATIONS AS DESCRIBED IN GS-22-008



mat'l. code	surface	tolerance	projection	product family
	ISO 1982	ISO 428 ISO 1191		PCMCIA
ltr	ecn no	dr	date	tolerances unless otherwise specified
AM				0.X±0.3
				angles linear 0.XX±0.13
				±2° 0.XXX±0.051
dr	Mike Zhou		11/21/06	scale
enr	Mike Zhou		11/21/06	MM
chr	David Qin		11/21/06	
appd	Jack Wang		11/21/06	
sheet index	revision sheet			



title  
68 POS EJECTOR HEADER ASSY FOR 5.0V APPLICATION

dwg no 92140 sheet 3 of 7 size A4

type CUSTOMER Drawing

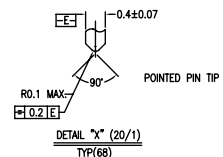
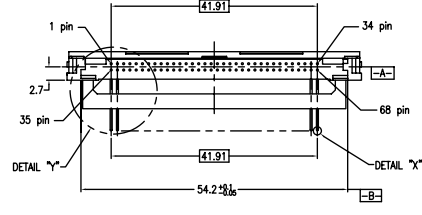
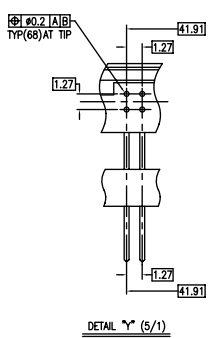
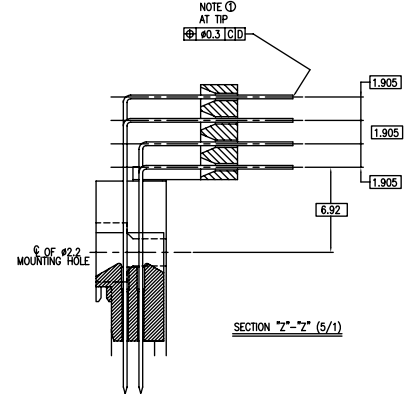
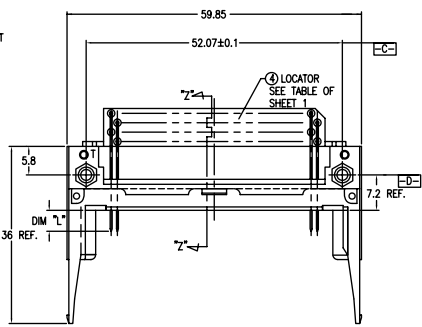
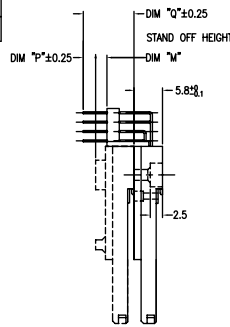
This document is the property of FCI. It is confidential and proprietary information of FCI. No part of this information may be reproduced, stored in a retrieval system, or transmitted in any form or by any means, without the written consent of FCI. Copyright © FCI

FCI CONFIDENTIAL

FCI

This document is the property of FCI and contains CONFIDENTIAL and PROPRIETARY information of FCI. No part of this information may be reproduced, stored in a retrieval system, or transmitted in any form or by any means, without the written consent of FCI. Copyright © FCI

PRODUCT NO.
92140-005
92140-005LF
92140-045
92140-045LF



- NOTES
- TRUE POSITION IS A FREE GRID TO PIN PATTERN ITSELF.
  - SEE TA-946 FOR PCB LAYOUT.
  - MATERIAL: HOUSING : HIGH TEMPERATURE THERMOPLASTIC UL94V-0 BLACK; PIN : COPPER ALLOY; HOLD-DOWN : BRASS.
  - FINISH: UNDER PLATING : 0.5µm MIN. Ni; CONTACT AREA : 0.076 µm MIN. GOLD; SOLDER AREA : 2.5µm MIN. Sn-Pb OR 2.5µm MIN. PURE Sn (FOR -XXXLF); HOLD-DOWN : 2.5µm MIN. PURE Sn.
  - RECOMMENDED PCB HOLE (OPTIONAL HOLD-DOWN) : 2.3±0.1
  - SEQUENCE PIN ASSIGNMENT
- | PIN No. | DIM "Y"  |         |         |
|---------|----------|---------|---------|
|         | 4.25±0.1 | 3.5±0.1 | 5.0±0.1 |
| OTHERS  | 36.67    | 33.26   |         |
- GENERAL TOLERANCE : ±0.3
  - SEE SHEET 1 REGARDING COMPONENTS.
  - THIS PRODUCT MEETS EUROPEAN UNION DIRECTIVES AND OTHER COUNTRY REGULATIONS AS DESCRIBED IN GS-22-008

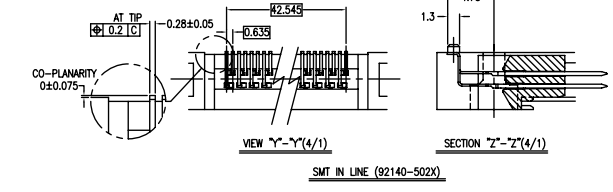
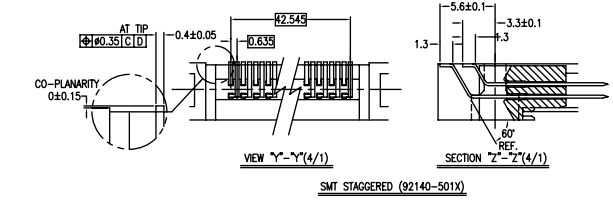
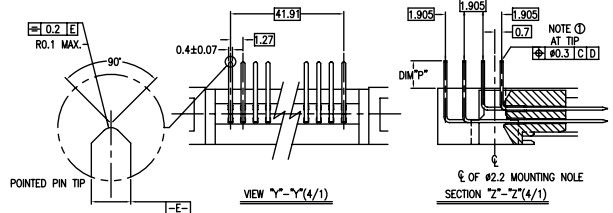
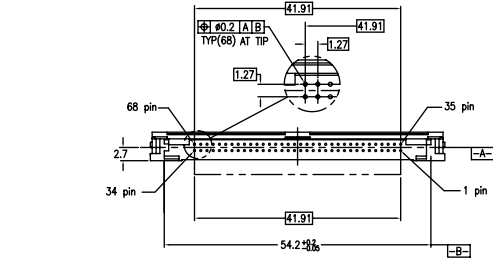
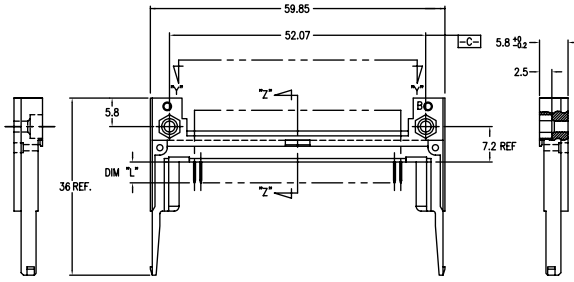
mat'l. code	surface	tolerance	projection	product family	PCMCIA
AM	ISO 1982	ISO 406 ISO 1191	MM	title	68 POS EJECTOR HEADER ASSY FOR 5.0V APPLICATION
ltr	ecn no	dr	date	tolerances unless otherwise specified	angles
				0.X±0.3	linear
				0.XX±0.13	z2"
				0.XXX±0.051	scale
	dr	Mike Zhou	11/21/06		
	enr	Mike Zhou	11/21/06		
	chr	David Qin	11/21/06		
	appd	Jack Wang	11/21/06		
sheet	revision				
index	sheet				

FCI CONFIDENTIAL

FCI

This document is the property of FCI and contains CONFIDENTIAL and PROPRIETARY information of FCI. No part of this information may be reproduced, stored in a retrieval system, or transmitted in any form or by any means, electronic, mechanical, photocopying, recording, or otherwise, without the written consent of FCI. Copyright © FCI

PRODUCT NO.
92140-500
92140-500LF
92140-500H
92140-500HLF
92140-501
92140-501LF
92140-501H
92140-501HLF
92140-502
92140-502LF
92140-502H
92140-502HLF
92140-503
92140-503LF



**NOTES**

1. TRUE POSITION IS A FREE GRID TO PIN PATTERN ITSELF.
2. SEE TA-946 FOR PCB LAYOUT.
3. MATERIAL
  - HOUSING : HIGH TEMPERATURE THERMOPLASTIC UL94V-0 BLACK
  - PIN PHOSPHOR BRONZE.
  - HOLD-DOWN : BRASS
4. FINISH
  - PIN UNDER PLATING : 0.5µm MIN. NI, CONTACT AREA : 0.076 µm MIN. GOLD
  - SOLDER AREA : 2.5µm MIN. Sn-Pb, OR 2.5µm MIN. PURE Sn.(FOR -XXXLF)
  - HOLD-DOWN : 2.5µm MIN. PURE Sn.
5. RECOMMENDED PCB HOLE (OPTIONAL HOLD-DOWN) : 2.3±0.1
6. SEQUENCE PIN ASSIGNMENT

PIN No.	DIM. mm	
	4.25±0.1	5.5±0.1
OTHERS	36.67	37.5±0.08

7. GENERAL TOLERANCE : ±0.3
8. SEE SHEET 1 REGARDING COMPONENTS.
9. THIS PRODUCT MEETS EUROPEAN UNION DIRECTIVES AND OTHER COUNTRY REGULATIONS AS DESCRIBED IN GS-22-008

mat'l. code	surface	tolerance	projection	product family
	ISO 1982	ISO 408 ISO 1191		PCMCIA
lfr	ecn no	dr	date	tolerances unless otherwise specified
AM				0.X±0.3
				0.XX±0.13
				0.XXX±0.051
				angles linear
				z2"
		dr	Mike Zhou 11/21/06	scale
		enr	Mike Zhou 11/21/06	MM
		chr	David Qin 11/21/06	FCI
		appd	Jack Wang 11/21/06	title
				68 POS EJECTOR HEADER ASSY FOR 5.0V APPLICATION
sheet	revision			dwg no
index	sheet			92140
				type
				CUSTOMER Drawing
				sheet 5 of 7
				size A4

PDS: Rev: AM

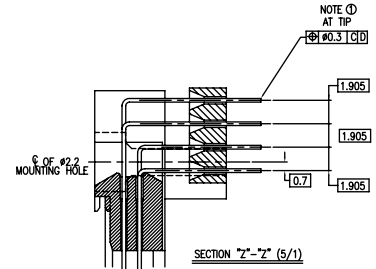
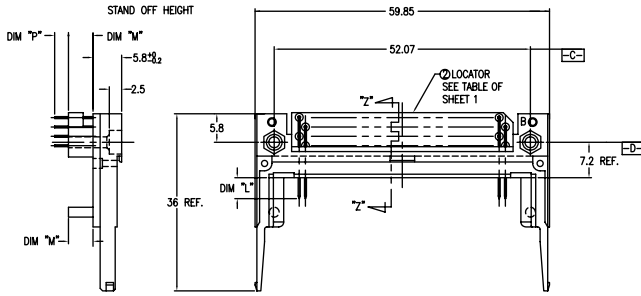
STATUS: Released Printed: Dec 06, 2013

FCI CONFIDENTIAL

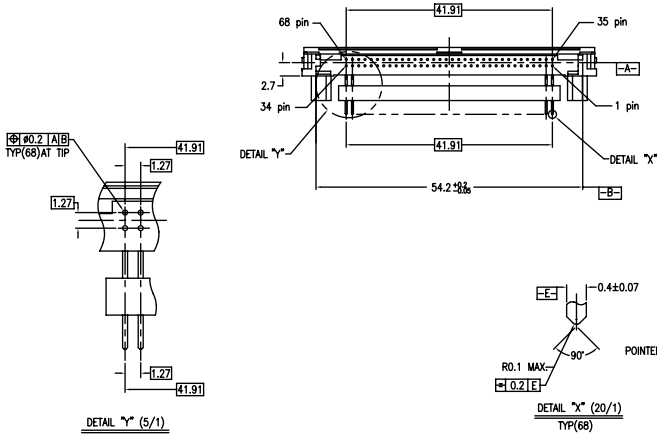
FCI

This document is the property of FCI. No part of this document may be used in any way or disclosed to others without the written consent of FCI. Copyright FCI.

PRODUCT NO.		
92140-510	92140-510LF	92140-510HLF
92140-520	92140-520LF	
92140-520H	92140-520HLF	
92140-530	92140-530LF	
92140-540	92140-540LF	



- NOTES**
- TRUE POSITION IS A FREE GRID TO PIN PATTERN ITSELF.
  - SEE TA-946 FOR PCB LAYOUT.
  - MATERIAL**  
 HOUSING : HIGH TEMPERATURE THERMOPLASTIC UL94V-0 BLACK  
 PIN : COPPER ALLOY.  
 HOLD-DOWN : BRASS
  - FINISH PIN**  
 UNDER PLATING : 0.50µm MIN. Ni.  
 CONTACT AREA : 0.076 µm MIN. GOLD  
 SOLDER AREA : 2.5µm MIN. Sn-Pb.  
 OR 2.5µm MIN. PURE Sn(FOR -XXXLF)  
 HOLD-DOWN : 2.5µm MIN. PURE Sn.
  - RECOMMENDED PCB HOLE (OPTIONAL HOLD-DOWN) : 2.3±0.1
  - SEQUENCE PIN ASSIGNMENT
- | PIN No. | DIM "M"  |         |          |
|---------|----------|---------|----------|
|         | 4.25±0.1 | 3.3±0.1 | 5.0±0.1  |
| OTHERS  | 36.67    | 3.75    | 3.2±0.08 |
- GENERAL TOLERANCE : ±0.3
  - SEE SHEET 1 REGARDING COMPONENTS.
  - THIS PRODUCT MEETS EUROPEAN UNION DIRECTIVES AND OTHER COUNTRY REGULATIONS AS DESCRIBED IN GS-22-008



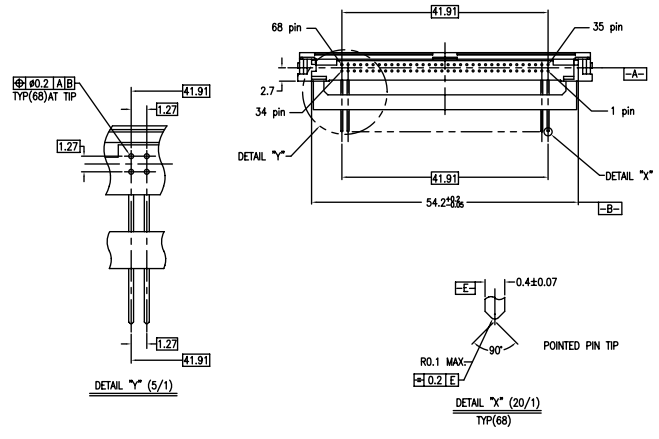
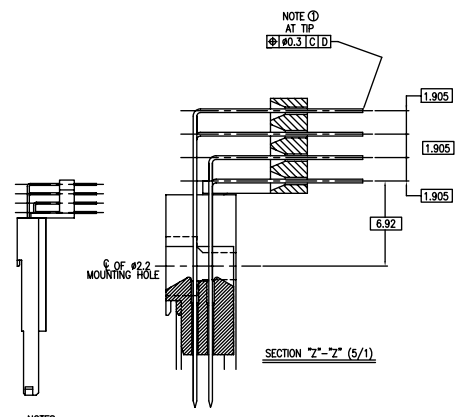
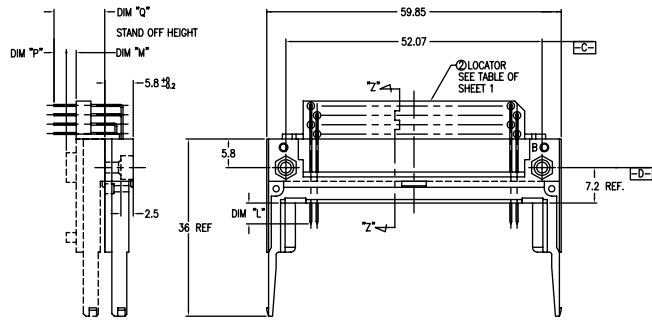
mat'l. code	surface	tolerance	projection	product family	PCMCIA
ltr	ecn no	dr	date	tolerances unless otherwise specified	title
AM				linear	68 POS EJECTOR HEADER ASSY FOR 5.0V APPLICATION
				angles	dwg no
				z2"	92140
				dr	sheet 6 of 7
				enrg	size
				chr	A4
				appd	type
				Jack Wang	CUSTOMER
sheet	revision				Drawing
index	sheet				

FCI CONFIDENTIAL

FCI

This document is the property of FCI. No part of this document may be used in any way or disclosed in any form without the written consent of FCI. Copyright © FCI

PRODUCT NO.
92140-505
92140-505LF
92140-535
92140-535LF
92140-545
92140-545LF



- NOTES**
- TRUE POSITION IS A FREE GRID TO PIN PATTERN ITSELF.
  - SEE TA-946 FOR PCB LAYOUT.
  - MATERIAL**  
 HOUSING : HIGH TEMPERATURE THERMOPLASTIC UL94V-0 BLACK  
 PIN : COPPER ALLOY.  
 HOLD-DOWN : BRASS
  - FINISH**  
 UNDER PLATING : 0.5um MIN. Ni  
 CONTACT AREA : 0.076 um MIN. GOLD  
 SOLDER AREA : 2.5um MIN. Sn-Pb.  
 OR 2.5um MIN. PURE Sn.(FOR -XXXLF)  
 HOLD-DOWN : 2.5um MIN. PURE Sn.
  - RECOMMENDED PCB HOLE (OPTIONAL HOLD-DOWN) : 2.3±0.1
  - SEQUENCE PIN ASSIGNMENT
- | PIN No. | DIM 'L'  |           |
|---------|----------|-----------|
|         | 4.25±0.1 | 3.2±0.1   |
| OTHERS  | 36.67    | 33.17±0.2 |
- GENERAL TOLERANCE : ±0.3
  - SEE SHEET 1 REGARDING COMPONENTS.
  - THIS PRODUCT MEETS EUROPEAN UNION DIRECTIVES AND OTHER COUNTRY REGULATIONS AS DESCRIBED IN GS-22-008
  - PRODUCT SPEC: 110-263

mat'l. code	surface	tolerance	projection	product family	PCMCIA
AM	ISO 1982	ISO 406 ISO 1101	MM	title	68 POS EJECTOR HEADER ASSY FOR 5.0V APPLICATION
dr	angles	linear	scale	dwg no	92140
enr	±2"	0.X±0.3	0.XX±0.13	sheet	7 of 7
chr	dr Mike Zhou	0.XXX±0.051		size	A4
appd	enr Mike Zhou			type	CUSTOMER Drawing
	chr David Qin				
	appd Jack Wang				
sheet index	revision sheet				