

Excellent Integrated System Limited

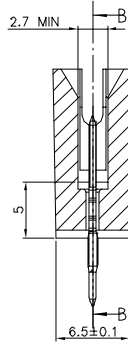
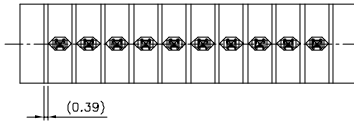
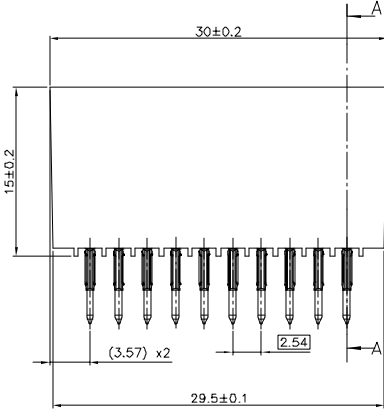
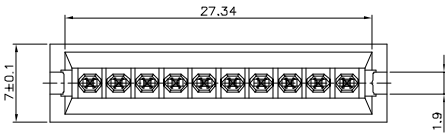
Stocking Distributor

Click to view price, real time Inventory, Delivery & Lifecycle Information:

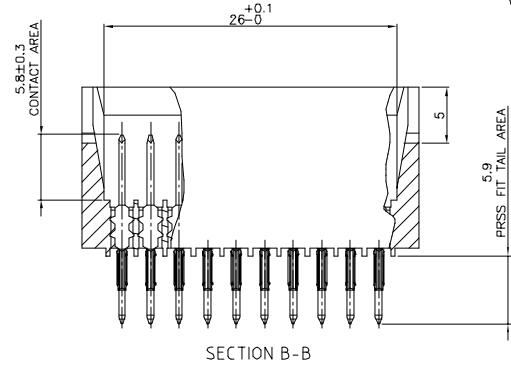
[FCI](#)
[98495-401-10LF](#)

For any questions, you can email us directly:
sales@integrated-circuit.com

PRODUCT NUMBER
98495-401-10



SECTION A-A



SECTION B-B

NOTES:

- HOUSING MATERIAL : THERMOPLASTIC 30% GLASS FIBER, COLOR BLACK HIGH TEMPERATURE
- PIN MATERIAL : COPPER ALLOY
- RECOMMENDED HOLE SIZE FOR PCB :
 - DRILLED $\varnothing 1.15 \pm 0.025$
 - COPPER LAYER 0.05 ± 0.025
 - FINAL TINNED HOLE SIZE $\varnothing 0.94$ TO $\varnothing 1.09$ (DIN 41611)

98495-4XX-XX	2 μ m Au MIN	2-5 μ m TIN-LEAD
PLATING NUMBER	CONTACT AREA	PRESS FIT TAIL AREA
	PLATING THICKNESS OVER 2 μ m Ni MIN	

mat'l. code	surface	tolerance	projection	product family
SEE NOTES	ISO 1392 <input checked="" type="checkbox"/> ISO 406 ISO 1181	tolerances unless otherwise specified	$\oplus \triangleleft$	DIN
Ltr	ecn no	dr	date	title
A	F20137	LMU	02.02.25	DIN HEADER
B	F06-0124	LMU	06.02.15	PRESS FIT 10 POS
C	F06-0228	LMU	06.07.11	
	angles	linear	mm	scale 5:1
	dr	LMULIN	02.02.25	
	engr	JM.C	02.02.25	
	chr			
	appd	JM.C	06.02.15	
sheet index	revision sheet			

product family	DIN
title	DIN HEADER PRESS FIT 10 POS
dwg no	98495
sheet 1 of 1	size A3
type	CUSTOMER Drawing