

## Excellent Integrated System Limited

Stocking Distributor

Click to view price, real time Inventory, Delivery & Lifecycle Information:

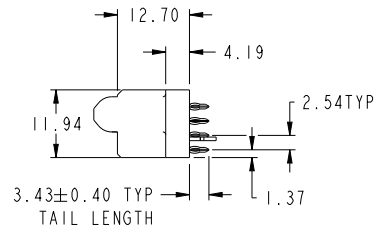
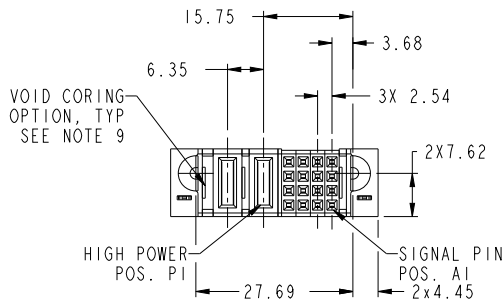
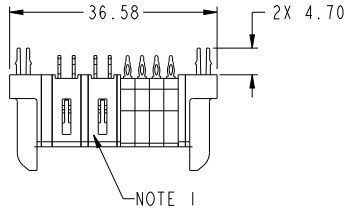
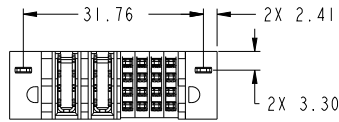
[FCI](#)

[10106131-2004201LF](#)

For any questions, you can email us directly:

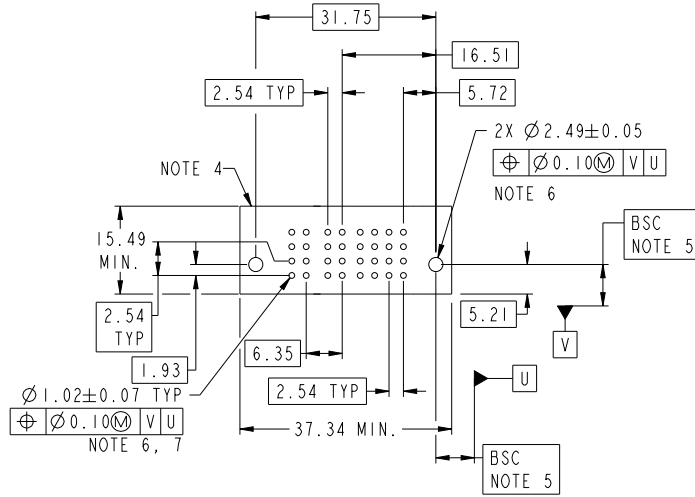
[sales@integrated-circuit.com](mailto:sales@integrated-circuit.com)

PRODUCT NUMBER SEE SHEET 2



spec ref	dr	Heiko Zhang	20130813	projection	MM	size	A3	scale	3:2						
tolerance std	eng	Xia Bob	20130815			ecn no	rel level	Released	rev						
ASME Y14.5	chr	Li-Ho	20130815							product family	PowerBlade+				
TOLERANCES UNLESS OTHERWISE SPECIFIED		appr	Pai-Ming Zhang							20130815					
surface	linear	0.X	±0.50			title 16S + 2HP VT PF RECEPTACLE		eng no 10106131-2004201							
ASME Y14.5	angular	0.XX	±0.25							cat. no.		Product - Customer Drw		sheet 1 of 3	
		0.XXX	±0.10												
		0°	±2°	www.fci.com		Printed: Aug 16, 2013									

PRODUCT NO.	ROWS	HP	SIGNAL	CODE	DESCRIPTION
10106131-2004201LF	D C B A	HG	HG	F	STD SIGNAL CONTACT
				HA	METAL HOLD DOWN
				HG	STD HIGH POWER CONTACT (3.43)



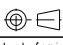
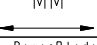

dr	Helen Zhang	2013/06/13	projection	MM	size	A3	scale	3:2
eng	Xia Bob	2013/06/15			ecn no.			
chr	Li-Hu	2013/06/15			rel level	Released		
appr	Pai-Ming Zhang	2013/06/15	product family	PowerBlade+	cat. no.	10106131-2004201	rev	A
		<b>16S + 2HP</b> <b>VT PF RECEPTACLE</b>		<b>Product - Customer Draw</b>		<b>sheet 2 of 3</b>		



Copyright © FCI.

NOTES:

- 1) "FCI", PART NUMBER AND DATE CODE TO BE MARKED ON THIS SURFACE.  
THE P/N CAN BE OMITTED IF THERE IS NOT ENOUGH SPACE ON THIS SURFACE.
- 2) MATERIALS:  
-HOUSING - GLASS FILLED WITH HIGH TEMP THERMOPLASTIC, UL94V-0.  
-SIGNAL CONTACT - COPPER ALLOY.  
-POWER CONTACT - HIGH CONDUCTIVITY COPPER ALLOY.
- 3) PLATING SPECIFICATION REFER TO FCI 10123565
- 4) DENOTES CONNECTOR KEEP OUT ZONE.
- 5) DATUM AND BASIC DIMENSIONS WERE ESTABLISHED BY CUSTOMER.
- 6) ALL HOLE DIAMETERS ARE FINISHED HOLE SIZES.
- 7)  $1.15 \pm 0.025$ MM DRILLED HOLE PLATED WITH 0.00762MM MIN Sn  
OVER 0.0254-0.0762MM Cu PLATING TO ACHIEVE A  $1.02 \pm 0.07$ MM HOLE.
- 8) PRODUCT SPECIFICATION REFER TO FCI GS-12-658.  
APPLICATION SPECIFICATION REFER TO FCI GS-20-141.  
PRODUCT PACKAGED IN TRAYS, REFER TO FCI GS-14-1502.
- 9) THE VOID CORING IN BETWEEN POWER MODULES, SIGNAL  
MODULES AND END MODULES ARE OPTIONAL AND THE SHAPE  
MAY BE DIFFERENT FOR OPTIMIZE THE MOLDING PROCESS. THE  
VOID CORING WILL NOT EFFECT TO PRODUCT FUNCTION.

dr	Heino Zhang	2013/08/13	projection	MM	size	A3	scale	1:1
eng	Xia Bob	2013/08/15			ecn no	rel level	<a href="#">Released</a>	rev
chr	Li He	2013/08/15						
appr	Pai-Ming Zhang	2013/08/15	product family	PowerBlade+				
			title 16S + 2HP VT PF RECEPTACLE		eng no	10106131-2004201		A
www.fci.com			cat. no.	Product - Customer Drw		sheet 3 of 3		



Copyright FCI.