

Excellent Integrated System Limited

Stocking Distributor

Click to view price, real time Inventory, Delivery & Lifecycle Information:

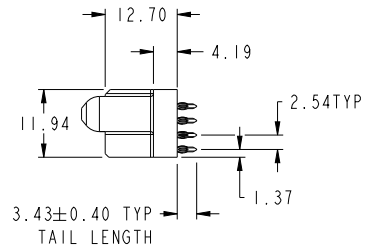
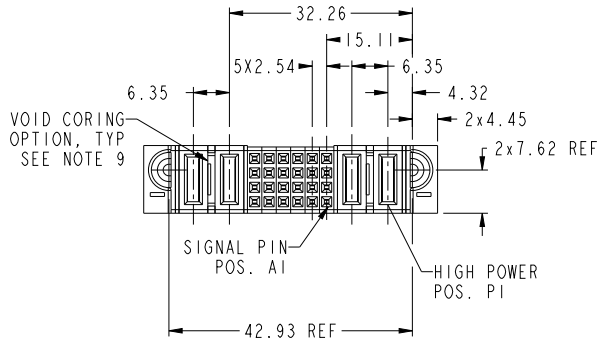
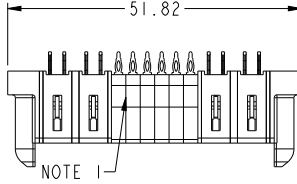
[FCI](#)

[10106131-4006005LF](#)

For any questions, you can email us directly:

sales@integrated-circuit.com

PRODUCT NUMBER SEE SHEET 2



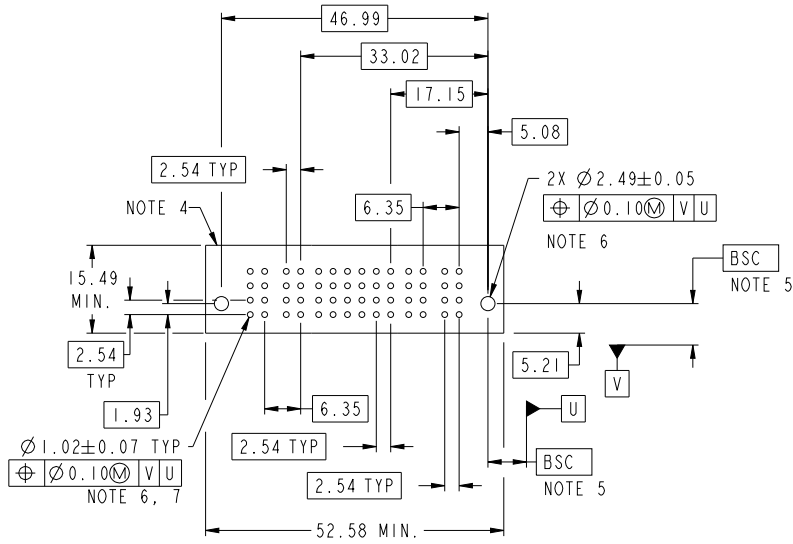
spec ref	dr	Eddy Zeng	20121007	projection	MM	size	A3	scale	3:2		
tolerance std	eng	Eddy Zeng	201409122			ecn no	-	rel level	Released		
ASME Y14.5	chr	Li-Hu	201409122							product family	PowerBlade+
TOLERANCES UNLESS OTHERWISE SPECIFIED		appr	Pai-Ming Zhang							201409122	
surface	linear	0.X	±0.50			eng no	10106131-4006005		rev		
		0.XX	±0.25	www.fci.com		cat. no.	Product - Customer Drw		sheet 1 of 3		
	angular	0°	±2°	3		PDS: Rev :A	STATUS:Released		Printed: Jan 23, 2014		



Copyright FCI.

PRODUCT NO.	ROWS	HP		SIGNAL						HP			
		E1	P4	P3	6	5	4	3	2	1	P2	P1	E2
10106131-4006005LF	D C B A	HD	HG	F	F	F	F	F	F	F	F	HG	HD

CODE	DESCRIPTION
F	STD SIGNAL CONTACT
HD	MFBL HIGH POWER CONTACT (3.43)
HG	STD HIGH POWER CONTACT (3.43)



dr	Eddy Zeng	20140907	projection	MM	size	A3	scale	3:2
eng	Eddy Zeng	20140912			ecn no	-	rel level	Released
chr	Li-Hu	20140912						
appr	Pai-Ming Zhang	20140912	product family	PowerBlade+				
			title 2HP + 24S + 2HP VT PF RECEPTACLE		eng no 10106131-4006005		rev A	
www.fci.com			cat. no.		Product - Customer Drw		sheet 2 of 3	

NOTES:

- 1) "FCI", PART NUMBER AND DATE CODE TO BE MARKED ON THIS SURFACE.
THE MARK CAN BE OMITTED IF THERE IS NOT ENOUGH SPACE ON THIS SURFACE.
- 2) MATERIALS:
-HOUSING - GLASS FILLED WITH HIGH TEMP THERMOPLASTIC, UL94V-0.
-SIGNAL CONTACT - COPPER ALLOY.
-POWER CONTACT - HIGH CONDUCTIVITY COPPER ALLOY.
- 3) PLATING SPECIFICATION REFER TO FCI 10116351
- 4) DENOTES CONNECTOR KEEP OUT ZONE.
- 5) DATUM AND BASIC DIMENSIONS WERE ESTABLISHED BY CUSTOMER.
- 6) ALL HOLE DIAMETERS ARE FINISHED HOLE SIZES.
- 7) 1.15 ± 0.025 MM DRILLED HOLE PLATED WITH 0.00762MM MIN Sn
OVER 0.0254-0.0762MM Cu PLATING TO ACHIEVE A 1.02 ± 0.07 MM HOLE.
- 8) PRODUCT SPECIFICATION REFER TO FCI GS-12-658.
APPLICATION SPECIFICATION REFER TO FCI GS-20-141.
PRODUCT PACKAGED IN TRAYS, REFER TO FCI GS-14-1502.
- 9) THE VOID CORING IN BETWEEN POWER MODULES, SIGNAL
MODULES AND END MODULES ARE OPTIONAL AND THE SHAPE
MAY BE DIFFERENT FOR OPTIMIZE THE MOLDING PROCESS. THE
VOID CORING WILL NOT EFFECT TO PRODUCT FUNCTION.

dr	Eddy Zeng	20131007	projection	MM	size	A3	scale	1:1
eng	Eddy Zeng	201409122			ecn no	rel level		rev
chr	Li-Hu	201409122						
appr	Pai-Ming Zhang	201409122	product family	PowerBlade+	rel level		Released	
			title 2HP + 24S + 2HP VT PF RECEPTACLE		eng no 10106131-4006005		rev A	
www.fci.com			cat. no.		Product - Customer Drw		sheet 3 of 3	



Copyright FCI.