

## Excellent Integrated System Limited

Stocking Distributor

Click to view price, real time Inventory, Delivery & Lifecycle Information:

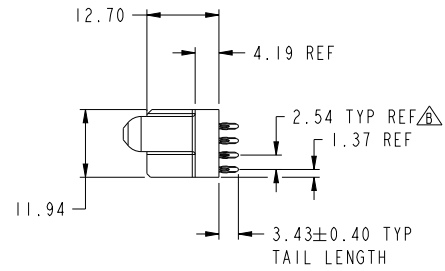
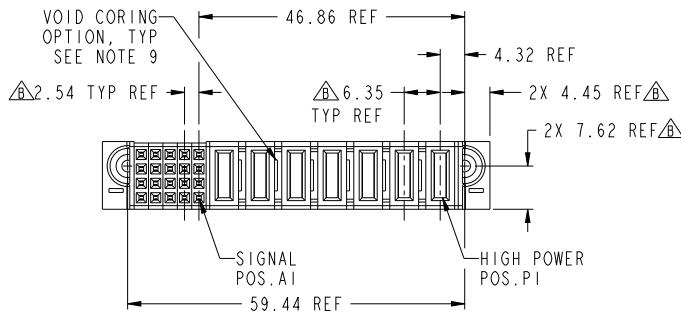
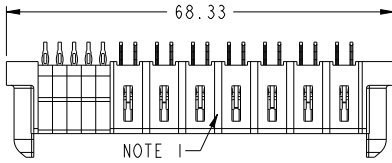
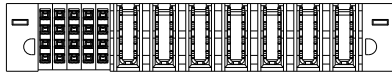
[FCI](#)

[10106131-7005001LF](#)

For any questions, you can email us directly:

[sales@integrated-circuit.com](mailto:sales@integrated-circuit.com)

PART NUMBER 10106131-7005001LF



spec ref	-	dr	Peng-Bing Fu	20120921	projection	mm	size	A3	scale	3:2
tolerance std	ISO 406 ISO 1101	TOLERANCES UNLESS OTHERWISE SPECIFIED	eng	Peng-Bing Fu	20121115		ecn no	ELX-00-015146-1	rel level	Released
surface	linear	0.X ±0.50 0.XX ±0.25 0.XXX ±0.10	chr	Tian-Xu Huang	20121115		product family	PwrBlade+	rev	B
ISO 1302	angular	0° ±2°	appr	Pai-Ming Zhang	20121115		cat. no.	10106131-7005001	Product - Customer Drw	sheet 1 of 3

Prod File - REV C - 2009-04-29

1

2

3

PDS: Rev B

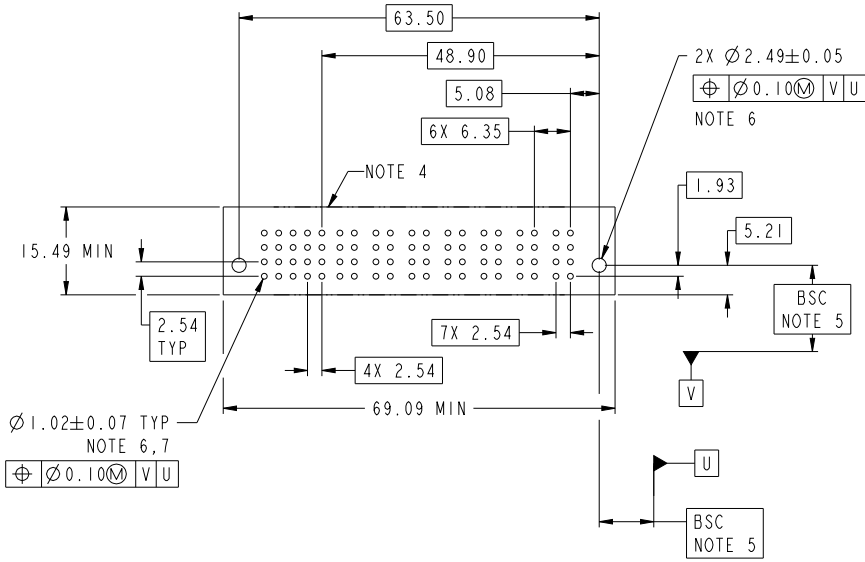
STATUS: Released

Printed: Nov 14, 2012

Copyright FCI.



PRODUCT NUMBER	ROWS	SIGNAL							POWER							CODE	DESCRIPTION		
		5	4	3	2	1	P7	P6	P5	P4	P3	P2	P1	H	H			HI	HI
10106131-7005001LF	D C B A	[Diagram of signal pins]							[Diagram of power pins]							H	STD HIGH POWER CONTACT		
		[Diagram of signal pins]							[Diagram of power pins]							HI	MFBL HIGH POWER CONTACT		
		[Diagram of signal pins]							[Diagram of power pins]							S	STD SIGNAL CONTACT		

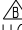




dr	Peng-Bing Fu	20120921	projection	mm	size	A3	scale	3:2
eng	Peng-Bing Fu	20121115						
chr	Tian-Xu Huang	20121115						
appr	Pai-Ming Zhang	20121115	product family	PwrBlade+		rel level	Released	
			title 7HP + 20S VERTICAL PF RECEPTACLE			eng no 10106131-7005001		rev B
www.fci.com			cat. no.		Product - Customer Drw		sheet 2 of 3	



Copyright © FCI.

NOTES:

- 1) "FCI", PART NUMBER AND DATE CODE TO BE MARKED ON THIS SURFACE.  
THE P/N CAN BE OMITTED IF THERE IS NOT ENOUGH SPACE ON THIS SURFACE.
- 2) MATERIALS:  
-HOUSING - GLASS FILLED WITH HIGH TEMP THERMOPLASTIC, UL94V-0.  
-SIGNAL CONTACT - COPPER ALLOY.  
-POWER CONTACT - HIGH CONDUCTIVITY COPPER ALLOY.
- 3) PLATING SPECIFICATION REFER TO FCI 10116351.
- 4) DENOTES CONNECTOR KEEP OUT ZONE.
- 5) DATUM AND BASIC DIMENIONS WERE ESTABLISHED BY CUSTOMER.
- 6) ALL HOLE DIAMETERS ARE FINISHED HOLE SIZES.
- 7)  $1.15 \pm 0.025$ MM DRILLED HOLE PLATED WITH 0.00762MM MIN Sn  
OVER 0.0254-0.0762MM Cu PLATING TO ACHIEVE A  $1.02 \pm 0.07$ MM HOLE.
- 8) PRODUCT SPECIFICATION REFER TO FCI GS-12-658.  
APPLICATION SPECIFICATION REFER TO FCI GS-20-141.  
PRODUCT PACKAGED IN TRAYS, REFER TO FCI GS-14-1502.
- 9) THE VOID CORING IN BETWEEN POWER MODULES, SIGNAL  
MODULES AND END MODULES ARE OPTIONAL AND THE SHAPE  
MAY BE DIFFERENT FOR OPTIMIZE THE MOLDING PROCESS. THE  
VOID CORING WILL NOT EFFECT TO PRODUCT FUNCTION.
- 10) A  SYMBOL WILL BE NEXT TO ANY DIMENSION, VIEW, OR NOTE  
WHICH HAS BEEN MODIFIED WITH THE CURRENT DRAWING REVISION.

dr	Peng-Bing Fu	20120921	projection	mm	size	A3	scale	3:2	
eng	Peng-Bing Fu	20121113		← PwrBlade+ →	ecp no	ELX-00-01846-1			
chr	Tian-Xu Huang	20121113			rel level	Released			
appr	Pai-Ming Zhang	20121113	product family	PwrBlade+					
		title	7HP + 20S VERTICAL PF RECEPTACLE		eng no	10106131-7005001		rev	B
www.fci.com		cat. no.	-		Product - Customer Draw		sheet 3 of 3		



Copyright FCI.