

Excellent Integrated System Limited

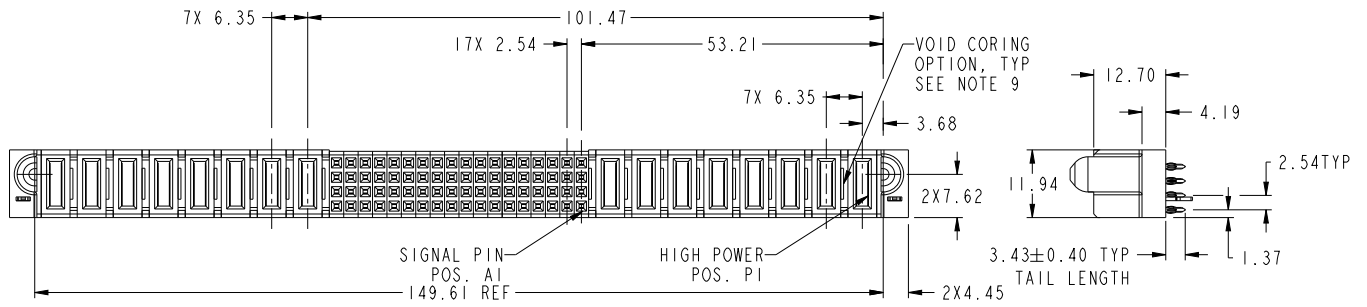
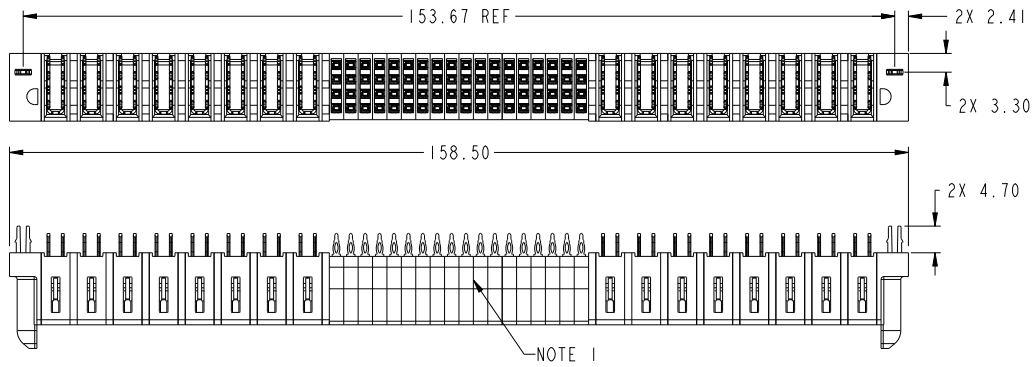
Stocking Distributor

Click to view price, real time Inventory, Delivery & Lifecycle Information:

[FCI](#)
[10106131-G018002LF](#)

For any questions, you can email us directly:
sales@integrated-circuit.com

PRODUCT NUMBER SEE SHEET 2

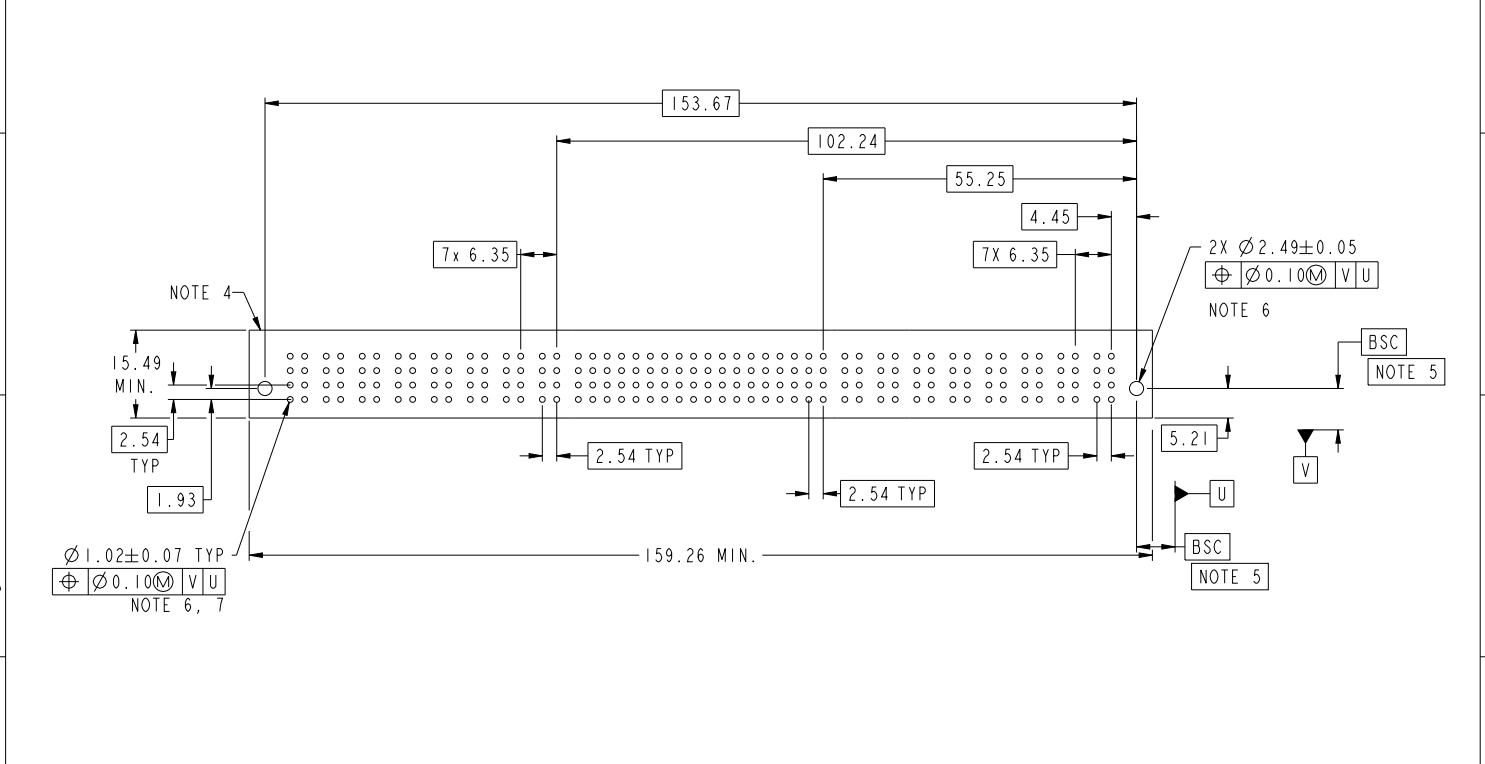


spec ref	dr	Xia Bob	20131216	projection	MM	size	A3	scale	3:2
tolerance std	eng	Xia Bob	20131217			ecn no	rel level	Released	rev
ASME Y14.5	chr	Li-Hu	20131215						
TOLERANCES UNLESS OTHERWISE SPECIFIED		appr	Pai-Ming Zhang	www.fci.com		10106131-G018002		A	
surface	linear			title 8HP + 18S + 8HP VT PF RECEPTACLE		Product - Customer Drw		sheet 1 of 3	
ASME Y14.5	angular	0.X ±0.50 0.XX ±0.25 0.XXX ±0.10 0° ±2°		cat. no.		STATUS: Released		Printed: Dec 27, 2013	



Copyright FCI.

PRODUCT NO.	ROWS	HIGH POWER								SIGNAL																		HIGH POWER															
		E1	P16	P15	P14	P13	P12	P11	P10	P9	18	17	16	15	14	13	12	11	10	9	8	7	6	5	4	3	2	1	P8	P7	P6	P5	P4	P3	P2	P1	E2						
10106131-G018002LF	D C B A	HA	HD	HG	HG	HG	HG	HG	HG	HG	F	F	F	F	F	F	F	F	F	F	F	F	F	F	F	F	F	F	F	F	F	F	F	F	F	HG	HG	HG	HG	HG	HG	HG	HA



CODE	DESCRIPTION
F	STD SIGNAL CONTACT
HA	METAL HOLD DOWN
HD	MFBL HIGH POWER CONTACT (3.43)
HG	STD HIGH POWER CONTACT (3.43)

dr	Xia Bob	20131216	projection	MM	size	A3	scale	3:2
eng	Xia Bob	20131217			ecn no	rel level	Released	
chr	Li-Hu	20131215						
appr	Pai-Ming Zhang	20131217	product family	PowerBlade+	Product	Customer	Draw	sheet 2 of 3
				FCI title 8HP + 18S + 8HP VT PF RECEPTACLE	eng no 10106131-G018002	rev A	www.fci.com	cat. no.

Copyright FCI.

Part File - REC C - 2009-04-20

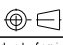
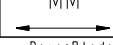

PDS: Rev :A

STATUS:Released

Printed: Dec 27, 2013

NOTES:

- 1) "FCI", PART NUMBER AND DATE CODE TO BE MARKED ON THIS SURFACE.
THE MARK CAN BE OMITTED IF THERE IS NOT ENOUGH SPACE ON THIS SURFACE.
- 2) MATERIALS:
-HOUSING - GLASS FILLED WITH HIGH TEMP THERMOPLASTIC, UL94V-0.
-SIGNAL CONTACT - COPPER ALLOY.
-POWER CONTACT - HIGH CONDUCTIVITY COPPER ALLOY.
- 3) PLATING SPECIFICATION REFER TO FCI 10116351
- 4) DENOTES CONNECTOR KEEP OUT ZONE.
- 5) DATUM AND BASIC DIMENSIONS WERE ESTABLISHED BY CUSTOMER.
- 6) ALL HOLE DIAMETERS ARE FINISHED HOLE SIZES.
- 7) 1.15 ± 0.025MM DRILLED HOLE PLATED WITH 0.00762MM MIN Sn
OVER 0.0254-0.0762MM Cu PLATING TO ACHIEVE A 1.02 ± 0.07MM HOLE.
- 8) PRODUCT SPECIFICATION REFER TO FCI GS-12-658.
APPLICATION SPECIFICATION REFER TO FCI GS-20-141.
PRODUCT PACKAGED IN TRAYS, REFER TO FCI GS-14-1502.
- 9) THE VOID CORING IN BETWEEN POWER MODULES, SIGNAL
MODULES AND END MODULES ARE OPTIONAL AND THE SHAPE
MAY BE DIFFERENT FOR OPTIMIZE THE MOLDING PROCESS. THE
VOID CORING WILL NOT EFFECT TO PRODUCT FUNCTION.

dr	Xia Bob	20131216	projection	MM	size	A3	scale	1:1
eng	Xia Bob	20131217			ecn no			
chr	Li He	20131215			product family	PowerBlade+	rel level	Released
appr	Pai-Ming Zhang	20131217			cat. no.	10106131-G018002		rev
		title 8HP + 18S + 8HP VT PF RECEPTACLE		www.fci.com		Product - Customer Drw		sheet 3 of 3



Copyright FCI.