

## Excellent Integrated System Limited

Stocking Distributor

Click to view price, real time Inventory, Delivery & Lifecycle Information:

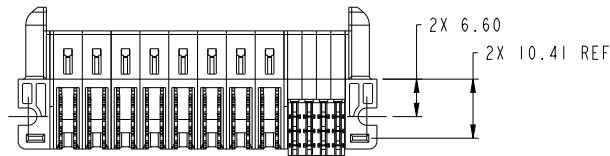
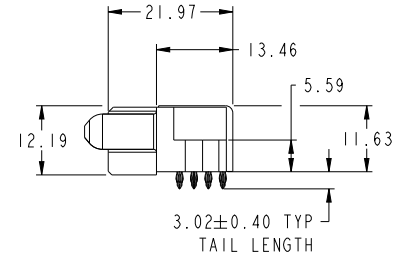
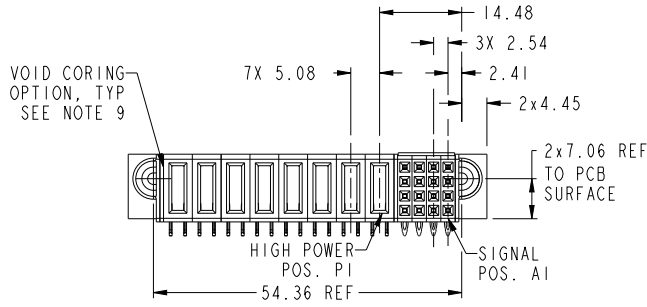
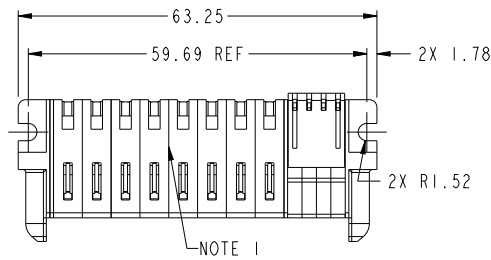
[FCI](#)

[10106135-8004001LF](#)

For any questions, you can email us directly:

[sales@integrated-circuit.com](mailto:sales@integrated-circuit.com)

PRODUCT NUMBER SEE SHEET 2



spec ref	*	dr	Xia Bob	20140211	projection	MM	size	A3	scale	3:2
tolerance std	ASME Y14.5	eng	Xia Bob	20140417			ecn no	-	rel level	Released
TOLERANCES UNLESS OTHERWISE SPECIFIED		chr	Li-Hu	20140417			product family	PwrBlade+	rel level	Released
surface	linear	appr	Pai-Ming Zhang	20140417			cat. no.	10106135-8004001	rev	A
ASME Y14.5	angular	0°	±2°	www.fci.com	Product - Customer Drw	sheet 1 of 3				

Print Date - REV C - 2009-04-09

1

2

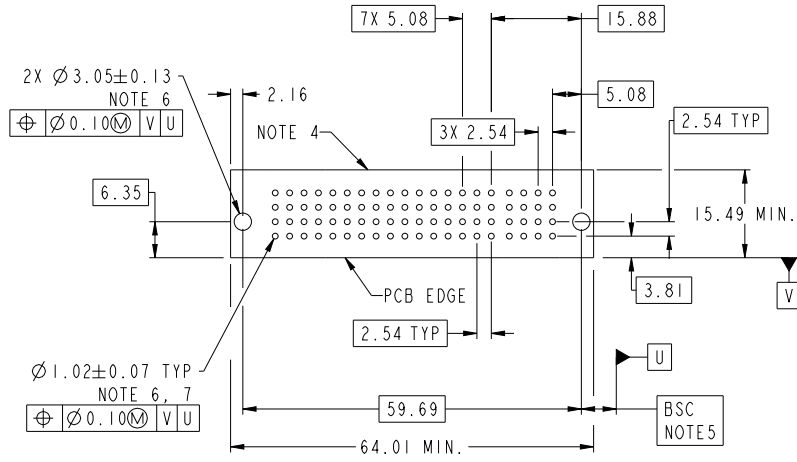
3

PDS: Rev -A

STATUS:Released

Printed: Apr 17, 2014

PRODUCT NO.	ROWS	HIGH POWER								SIG			CODE	DESCRIPTION			
		E1	P8	P7	P6	P5	P4	P3	P2	P1	4	3			2	1	E2
10106135-8004001LF	D C B A		H7	H7	H7	H7	H7	H7	H7	H7	S	S	S	S	H7	N	STD HIGH POWER CONTACT(3.02)
											R	R	R		P	STD SIGNAL CONTACT, ROW A	
											P	P	P		R	STD SIGNAL CONTACT, ROW B	
											N	N	N		S	STD SIGNAL CONTACT, ROW D	



dr	Xia Bob	20140211	projection	MM	size	A3	scale	3:2
eng	Xia Bob	20140417			ecn no			
chr	Li He	20140417						
appr	Pai-Ming Zhang	20140417	product family	PwrBlade+	rel level		Released	
			title 16S + 8HDP RA PF RECEPTACLE		eng no 10106135-8004001		rev A	
www.fci.com			cat. no.		Product - Customer Drw		sheet 2 of 3	

NOTES:

- 1) "FCI", PART NUMBER AND DATE CODE TO BE MARKED ON THIS SURFACE.  
THE MARK CAN BE OMITTED IF THERE IS NOT ENOUGH SPACE ON THIS SURFACE.
- 2) MATERIALS:  
-HOUSING - GLASS FILLED WITH HIGH TEMP THERMOPLASTIC, UL94V-0.  
-SIGNAL CONTACT - COPPER ALLOY.  
-POWER CONTACT - HIGH CONDUCTIVITY COPPER ALLOY.
- 3) PLATING SPECIFICATION REFER TO FCI 10116351
- 4) DENOTES CONNECTOR KEEP OUT ZONE.
- 5) DATUM AND BASIC DIMENIONS WERE ESTABLISHED BY CUSTOMER.
- 6) ALL HOLE DIAMETERS ARE FINISHED HOLE SIZES.
- 7)  $1.15 \pm 0.025$ MM DRILLED HOLE PLATED WITH 0.00762MM MIN Sn  
OVER 0.0254-0.0762MM Cu PLATING TO ACHIEVE A  $1.02 \pm 0.07$ MM HOLE.
- 8) PRODUCT SPECIFICATION REFER TO FCI GS-12-658.  
APPLICATION SPECIFICATION REFER TO FCI GS-20-141.  
PRODUCT PACKAGED IN TRAYS, REFER TO FCI GS-14-1502.
- 9) THE VOID CORING IN BETWEEN POWER MODULES, SIGNAL  
MODULES AND END MODULES ARE OPTIONAL AND THE SHAPE  
MAY BE DIFFERENT FOR OPTIMIZE THE MOLDING PROCESS. THE  
VOID CORING WILL NOT EFFECT TO PRODUCT FUNCTION.

dr	Xia Bob	201402011	projection	MM	size	A3	scale	3:2
eng	Xia Bob	201404017			ecn no	-	rel level	
chr	Li-Hu	201404017			product family	PwrBlade+	Released	
appr	Pai-Ming Zhang	201404017			cat. no.	10106135-8004001		rev
			title 16S + 8HDP RA PF RECEPTACLE		Product - Customer Draw		sheet 3 of 3	
www.fci.com			3		PDS: Rev :A		STATUS:Released	