

Excellent Integrated System Limited

Stocking Distributor

Click to view price, real time Inventory, Delivery & Lifecycle Information:

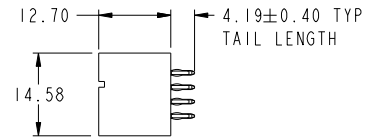
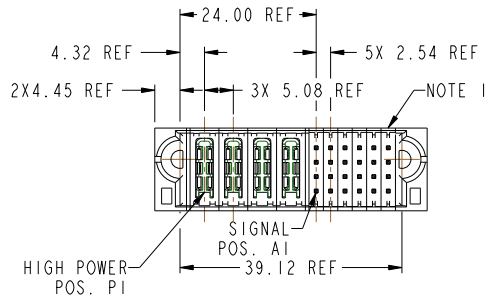
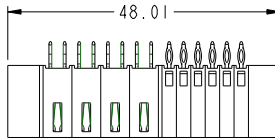
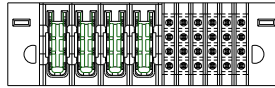
[FCI](#)

[10106137-4006001LF](#)

For any questions, you can email us directly:

sales@integrated-circuit.com

PART NUMBER SEE SHEET 2



spec ref	*	dr	Eddy Zeng	301490100	projection	MM	size	A3	scale	3:2
tolerance std	ASME Y14.5	TOLERANCES UNLESS OTHERWISE SPECIFIED	eng	Eddy Zeng	301490200		ecn no			
surface	linear	0.X ±0.5 0.XX ±0.25 0.XXX ±0.10	chr	Li-Hu	301490310		product family	PwrBlade+	rel level	Released
	angular	0° ±2°	appr	Pai-Ming Zhang	301490300	www.fci.com	cat. no.	10106137-4006001	rev	A
Product - Customer Draw							sheet 1 of 3			

PwrBlade+ - REV C - 2009-04-09

1

2

3

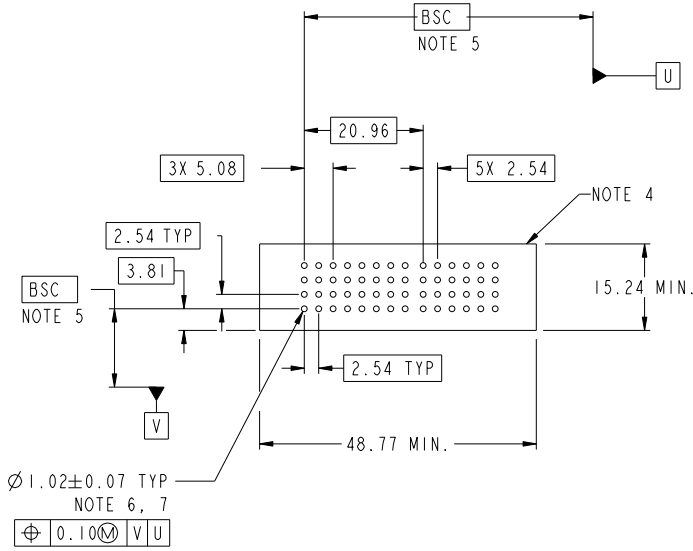
PDS: Rev :A

STATUS:Released

Printed: Apr 01, 2014

Copyright FCI.

PRODUCT NO.	ROWS	HIGH POWER SIGNAL												CODE	DESCRIPTION
		E1	P1	P2	P3	P4	1	2	3	4	5	6	E2		
10106137-4006001LF	D C B A													G	STD SIGNAL CONTACT
														H4	STD HIGH POWER CONTACT



dr	Eddy Zeng	2014/03/20	projection	MM	size	A3	scale	3:2
eng	Eddy Zeng	2014/03/20			ecn no			
chr	Li-Hu	2014/03/19			product family	PwrBlade+	rel level	Released
appr	Pai-Ming Zhang	2014/03/20			4HP +24S VERTICAL PF HEADER	10106137-4006001 10106137-4006001	rev A	
www.fci.com		cat. no.	Product - Customer Drw		sheet 2 of 3			

NOTES:

- 1) "FCI", PART NUMBER AND DATE CODE TO BE MARKED ON THIS SURFACE.
THE MARK CAN BE OMITTED IF THERE IS NOT ENOUGH SPACE ON THIS SURFACE.
- 2) MATERIALS:
-HOUSING - GLASS FILLED WITH HIGH TEMP THERMOPLASTIC, UL94V-0.
-SIGNAL CONTACT - COPPER ALLOY.
-POWER CONTACT - HIGH CONDUCTIVITY COPPER ALLOY.
- 3) PLATING SPECIFICATION REFER TO FCI 10116351
- 4) DENOTES CONNECTOR KEEP OUT ZONE.
- 5) DATUM AND BASIC DIMENIONS WERE ESTABLISHED BY CUSTOMER.
- 6) ALL HOLE DIAMETERS ARE FINISHED HOLE SIZES.
- 7) 1.15±0.025MM DRILLED HOLE PLATED WITH 0.00762MM MIN Sn
OVER 0.0254-0.0762MM Cu PLATING TO ACHIEVE A 1.02±0.07MM HOLE.
- 8) PRODUCT SPECIFICATION REFER TO FCI GS-12-658.
APPLICATION SPECIFICATION REFER TO FCI GS-20-141.
PRODUCT PACKAGED IN TRAYS, REFER TO FCI GS-14-1502.

dr	Eddy Zeng	201409100	projection	MM	size	A3	scale	3:2
eng	Eddy Zeng	201409100			ecn no	.		
chr	Li-Hu	201409119			product family	PwrBlade+	rel level	Released
appr	Pai-Ming Zhang	201409100			title	4HP +24S		rev
www.fci.com			cat. no.		10106137-4006001		A	
			Product - Customer Drw		sheet 3 of 3			



Copyright © FCI.