

Excellent Integrated System Limited

Stocking Distributor

Click to view price, real time Inventory, Delivery & Lifecycle Information:

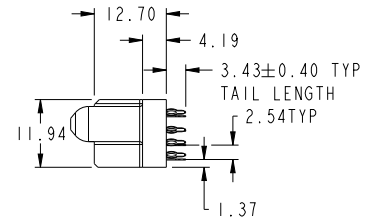
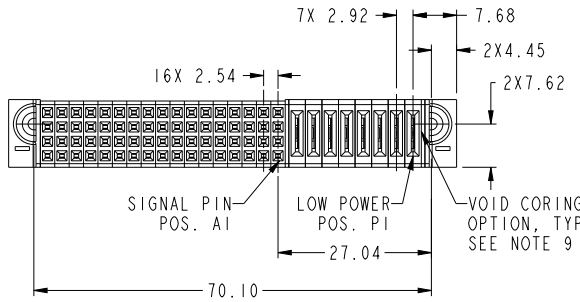
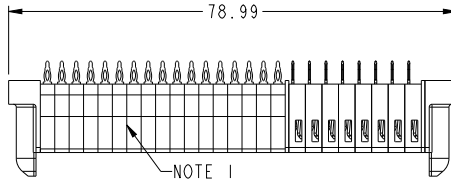
[FCI](#)

[10106139-8017001LF](#)

For any questions, you can email us directly:

sales@integrated-circuit.com

PRODUCT NUMBER SEE SHEET 2



Copyright FCI

spec ref	dr	Peng-Bing Fu	20120917	projection	MM	size	A3	scale	3:2
tolerance std	eng	Peng-Bing Fu	20130215			ecn no	-	rel level	Released
ASME Y14.5	chr	-	-			product family	PowerBlade+		
TOLERANCES UNLESS OTHERWISE SPECIFIED			appr	Pai-Ming Zhang	20130215	cat. no.	10106139-8017001	rev	A
surface	linear	0.X	±0.50	www.fci.com		Product - Customer Drw		sheet 1 of 3	
		0.XX	±0.25						
		0.XXX	±0.10						
	angular	0°	±2°						

Print Date - REV C - 2009-04-29

1

2

3

PDS: Rev A

STATUS: Released

Printed: Mar 15, 2013

PRODUCT NO.	ROWS	SIGNAL																LP												
		E1	17	16	15	14	13	12	11	10	9	8	7	6	5	4	3	2	1	P8	P7	P6	P5	P4	P3	P2	P1	E2		
10106139-8017001LF	D C B A	F	F	F	F	F	F	F	F	F	F	F	F	F	F	F	F	F	F	F	F	F	F	F	F	F	F	F		
		F	F	F	F	F	F	F	F	F	F	F	F	F	F	F	F	F	F	F	F	F	F	F	F	F	F	F	F	
		F	F	F	F	F	F	F	F	F	F	F	F	F	F	F	F	F	F	F	F	F	F	F	F	F	F	F	F	F
		F	F	F	F	F	F	F	F	F	F	F	F	F	F	F	F	F	F	F	F	F	F	F	F	F	F	F	F	F

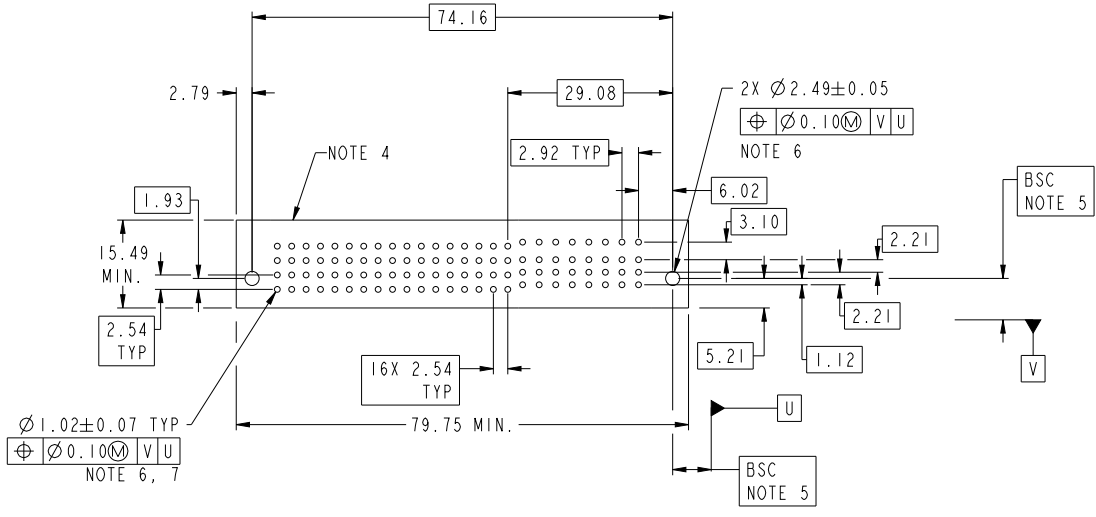
CODE	DESCRIPTION
F	STD SIGNAL CONTACT
LT	STD LOW POWER CONTACT (3.43)

A

B

C

D



Copyright FCI.

dr	Peng-Bing Fu	20120917	projection	MM	size	A3	scale	3:2
eng	Peng-Bing Fu	20130215	product family	PowerBlade+	ecn no.	-	rel level	Released
chr	-	-			www.fci.com	cat. no.		10106139-8017001
appr	Pai-Ming Zhang	20130215	Product - Customer Drw		sheet 2 of 3			

NOTES:

- 1) "FCI", PART NUMBER AND DATE CODE TO BE MARKED ON THIS SURFACE.
THE MARK CAN BE OMITTED IF THERE IS NOT ENOUGH SPACE ON THIS SURFACE.
- 2) MATERIALS:
-HOUSING - GLASS FILLED WITH HIGH TEMP THERMOPLASTIC, UL94V-0.
-SIGNAL CONTACT - COPPER ALLOY.
-POWER CONTACT - HIGH CONDUCTIVITY COPPER ALLOY.
- 3) PLATING SPECIFICATION REFER TO FCI 10116351
- 4) DENOTES CONNECTOR KEEP OUT ZONE.
- 5) DATUM AND BASIC DIMENSIONS WERE ESTABLISHED BY CUSTOMER.
- 6) ALL HOLE DIAMETERS ARE FINISHED HOLE SIZES.
- 7) 1.15 ± 0.025 MM DRILLED HOLE PLATED WITH 0.00762MM MIN Sn
OVER 0.0254-0.0762MM Cu PLATING TO ACHIEVE A 1.02 ± 0.07 MM HOLE.
- 8) PRODUCT SPECIFICATION REFER TO FCI GS-12-658.
APPLICATION SPECIFICATION REFER TO FCI GS-20-141.
PRODUCT PACKAGED IN TRAYS, REFER TO FCI GS-14-1502.
- 9) THE VOID CORING IN BETWEEN POWER MODULES, SIGNAL
MODULES AND END MODULES ARE OPTIONAL AND THE SHAPE
MAY BE DIFFERENT FOR OPTIMIZE THE MOLDING PROCESS. THE
VOID CORING WILL NOT EFFECT TO PRODUCT FUNCTION.

dr	Peng-Bing Fu	20120917	projection	MM	size	A3	scale	1:1	
eng	Peng-Bing Fu	20130215			ecn no				
chr					rel level				
appr	Pai-Ming Zhang	20130215	product family	PowerBlade+				Released	
			title	8LP + 68S		eng no	10106139-8017001	rev	A
www.fci.com			cat. no.	Product - Customer Drw		sheet 3 of 3			



Copyright © FCI.