

## Excellent Integrated System Limited

Stocking Distributor

Click to view price, real time Inventory, Delivery & Lifecycle Information:

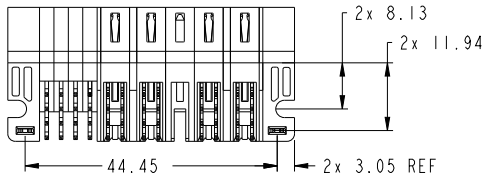
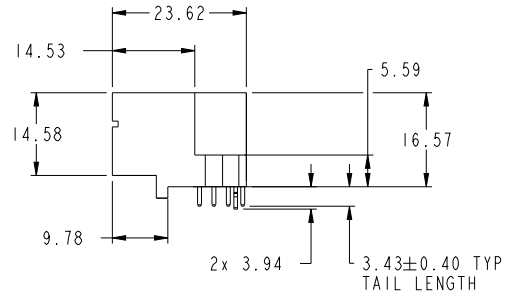
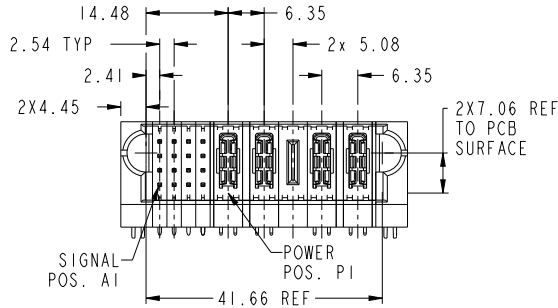
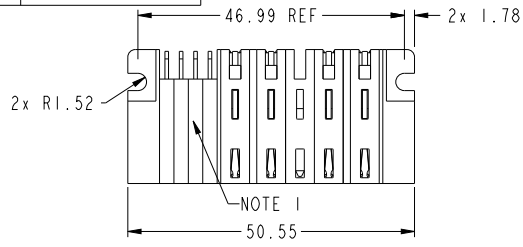
[FCI](#)

[10106262-5004003LF](#)

For any questions, you can email us directly:

[sales@integrated-circuit.com](mailto:sales@integrated-circuit.com)

PRODUCT NUMBER SEE SHEET 2



spec ref	*	dr	Eddy Zeng	20140904	projection	MM	size	A3	scale	3:2	
tolerance std	ASME Y14.5	eng	Eddy Zeng	20140914			ecn no				
TOLERANCES UNLESS OTHERWISE SPECIFIED		chr	Li-Hu	20140914			product family	PwrBlade+	rel level	Released	
surface	linear	appr	Pai-Ming Zhang	20140914					eng no	10106262-5004003	rev
	angular				cat. no.		Product - Customer Drw		sheet 1 of 3		

Print Date - REV C - 2010-04-09

1

2

3

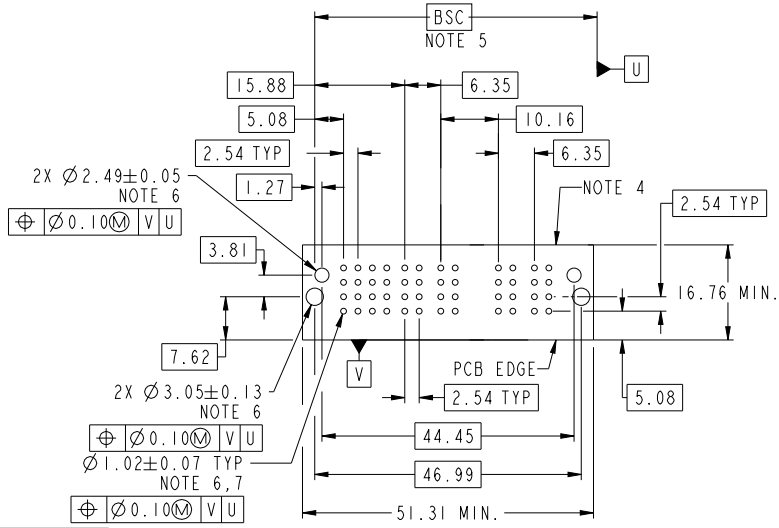
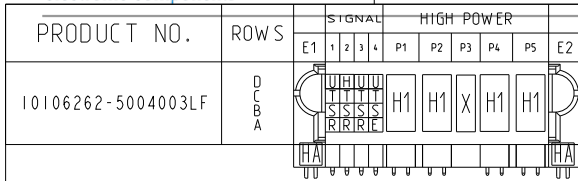
PDS: Rev A

STATUS: Released

Printed: Sep 15, 2014



Copyright FCI.



CODE	DESCRIPTION
E	MLBF SIGNAL CONTACT, ROW A (3.43)
H	MLBF SIGNAL CONTACT, ROW D (3.43)
H1	STD HIGH POWER CONTACT (3.43)
HA	METAL HOLD DOWN
R	STD SIGNAL CONTACT, ROW A (3.43)
S	STD SIGNAL CONTACT, ROW B (3.43)
T	STD SIGNAL CONTACT, ROW C (3.43)
U	STD SIGNAL CONTACT, ROW D (3.43)
X	OMITTED

dr	Eddy Zeng	20140904	projection	MM	size	A3	scale	3:2
eng	Eddy Zeng	20140914		←	ecm no			
chr	Li-Hu	20140914			product family	PwrBlade+	rel level	Released
appr	Pai-Ming Zhang	20140914	www.fci.com		title	16S + 5HP RA STB HEADER	eng no	10106262-5004003
			cat. no.		Product - Customer Drw		sheet	2 of 3

Copyright FCI

NOTES:

- 1) "FCI", PART NUMBER AND DATE CODE TO BE MARKED ON THIS SURFACE.  
THE MARK CAN BE OMITTED IF THERE IS NOT ENOUGH SPACE ON THIS SURFACE.
- 2) MATERIALS:  
-HOUSING - GLASS FILLED WITH HIGH TEMP THERMOPLASTIC, UL94V-0.  
-SIGNAL CONTACT - COPPER ALLOY.  
-POWER CONTACT - HIGH CONDUCTIVITY COPPER ALLOY.
- 3) PLATING SPECIFICATION REFER TO FCI 10116351
- 4) DENOTES CONNECTOR KEEP OUT ZONE.
- 5) DATUM AND BASIC DIMENIONS WERE ESTABLISHED BY CUSTOMER.
- 6) ALL HOLE DIAMETERS ARE FINISHED HOLE SIZES.
- 7)  $1.15 \pm 0.025$ MM DRILLED HOLE PLATED WITH 0.00762MM MIN Sn  
OVER 0.0254-0.0762MM Cu PLATING TO ACHIEVE A  $1.02 \pm 0.07$ MM HOLE.
- 8) PRODUCT SPECIFICATION REFER TO FCI GS-12-658.  
APPLICATION SPECIFICATION REFER TO FCI GS-20-141.  
PRODUCT PACKAGED IN TRAYS, REFER TO FCI GS-14-1502.

dr	Eddy Zeng	20140904	projection	MM	size	A3	scale	3:2
eng	Eddy Zeng	20140914			ecn no	-	rel level	
chr	Li-Hu	20140914			product family	PwrBlade+	rel level	
appr	Pai-Ming Zhang	20140914			eng no	10106262-5004003		rev
		title 16S + 5HP RA STB HEADER						A
www.fci.com		cat. no.	Product - Customer Drw		sheet 3 of 3			



Copyright FCI.