

Excellent Integrated System Limited

Stocking Distributor

Click to view price, real time Inventory, Delivery & Lifecycle Information:

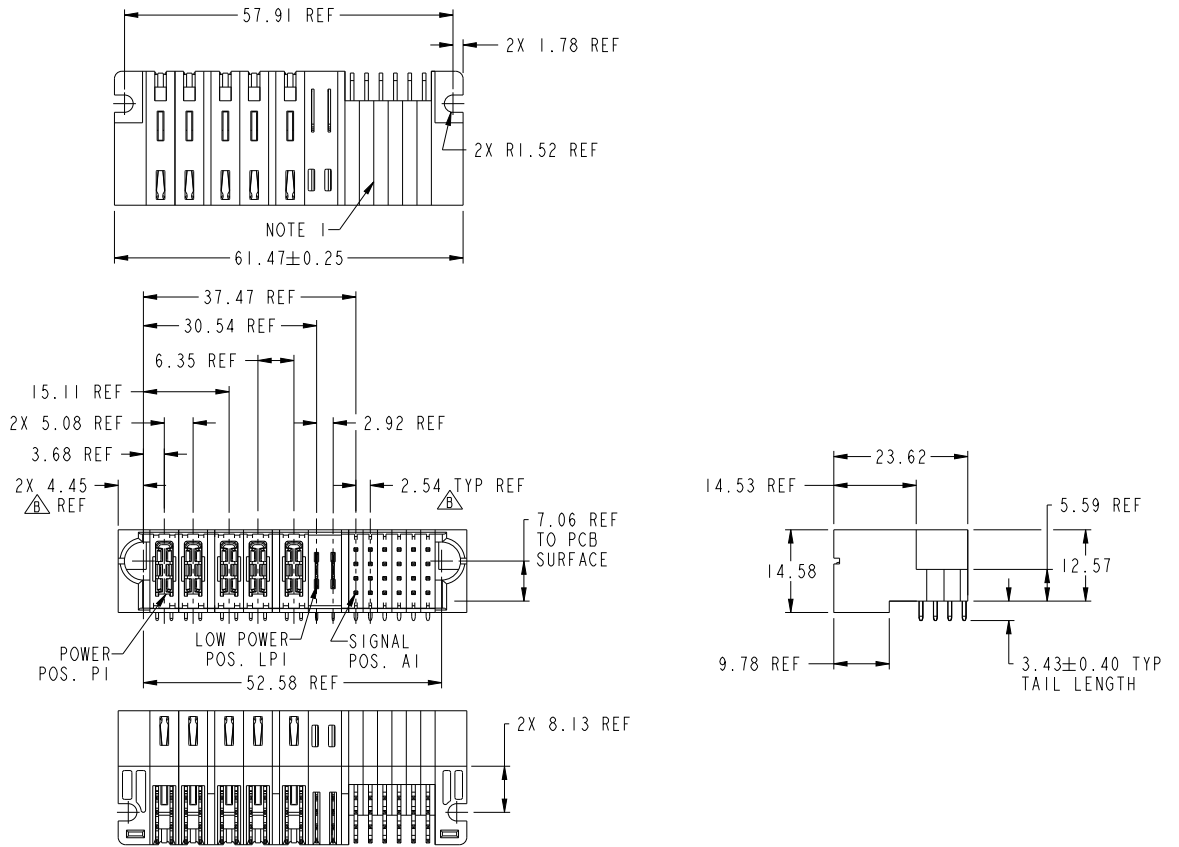
[FCI](#)

[10106262-5206002LF](#)

For any questions, you can email us directly:

sales@integrated-circuit.com

PART NUMBER 10106262-5206002LF



spec ref	*	dr	Peng-Bing Fu	20120901	projection	MM	size	A3	scale	3:2	
tolerance std	ASME Y14.5	eng	Peng-Bing Fu	20121015			ecn no	ELX-00-018147-1			
TOLERANCES UNLESS OTHERWISE SPECIFIED		chr	Shao-Qi Kuang	20121115			product family	PwrBlade+	rel level	Released	
surface	linear	appr	Pai-Ming Zhang	20121115			title	5HP + 2LP + 24S RA SOLDER HEADER		eng no	10106262-5206002
ASME Y14.5	angular	0°	±2°	www.fci.com	cat. no.	Product - Customer Draw		sheet 1 of 3			

Print Date - REV C - 2009-04-09

1

2

3

PDS: Rev B

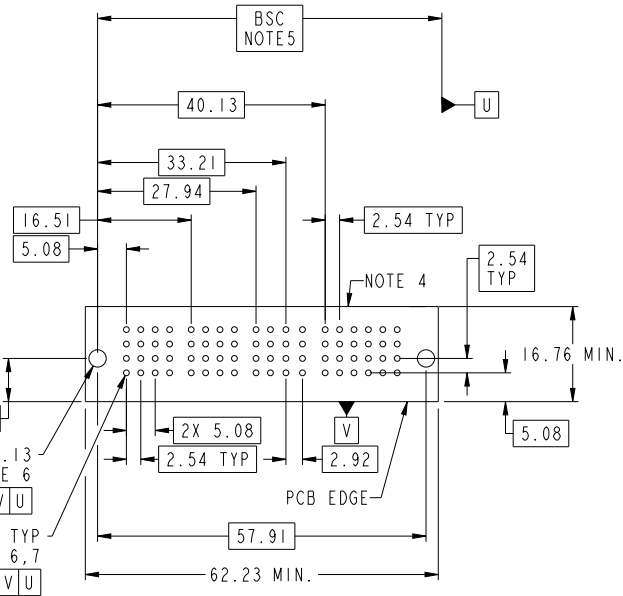
STATUS: Released

Printed: Nov 14, 2012



Copyright FCI.

PRODUCT NO.	ROWS	HIGH POWER					LP		SIGNAL							
		E1	P1	P2	P3	P4	P5	LP1	LP2	1	2	3	4	5	6	E2
10106262-5206002LF	D C B A	H1	H1	H1	H1	H1	LJ	LJ	R	RL	S	SL	T	TL	U	UL



CODE	DESCRIPTION
E	MLBF SIGNAL CONTACT, ROW A (3.43)
G	MLBF SIGNAL CONTACT, ROW C (3.43)
H1	STD HIGH POWER CONTACT (3.43)
LJ	MFBL LOW POWER CONTACT (3.43)
R	STD SIGNAL CONTACT, ROW A (3.43)
RL	MFBL SIGNAL CONTACT, ROW A (3.43)
S	STD SIGNAL CONTACT, ROW B (3.43)
SL	MFBL SIGNAL CONTACT, ROW B (3.43)
T	STD SIGNAL CONTACT, ROW C (3.43)
TL	MFBL SIGNAL CONTACT, ROW C (3.43)
U	STD SIGNAL CONTACT, ROW D (3.43)
UL	MFBL SIGNAL CONTACT, ROW D (3.43)

2X $\varnothing 3.05 \pm 0.13$
NOTE 6

$\varnothing 1.02 \pm 0.07$ TYP
NOTE 6,7

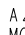
$\varnothing 0.10$ V U

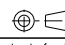

dr	Peng-Bing Fu	20120901	projection	MM	size	A3	scale	3:2
eng	Peng-Bing Fu	20121115		PwrBlade+	ecn no	ELX-00-01947-1		
chr	Shao-Qi Huang	20121115			rel level	Released		
appr	Pai-Ming Zhang	20121115	product family		10106262-5206002			
			title 5HP + 2LP + 24S RA SOLDER HEADER		cat. no. Product - Customer Drw		rev B	

Copyright FCI.

A
B
C
D

NOTES:

- 1) "FCI", PART NUMBER AND DATE CODE TO BE MARKED ON THIS SURFACE.
THE P/N CAN BE OMITTED IF THERE IS NOT ENOUGH SPACE ON THIS SURFACE.
- 2) MATERIALS:
-HOUSING - GLASS FILLED WITH HIGH TEMP THERMOPLASTIC, UL94V-0.
-SIGNAL CONTACT - COPPER ALLOY.
-POWER CONTACT - HIGH CONDUCTIVITY COPPER ALLOY.
- 3) PLATING SPECIFICATION REFER TO FCI 10116351
- 4) DENOTES CONNECTOR KEEP OUT ZONE.
- 5) DATUM AND BASIC DIMENSIONS WERE ESTABLISHED BY CUSTOMER.
- 6) ALL HOLE DIAMETERS ARE FINISHED HOLE SIZES.
- 7) 1.15 ± 0.025 MM DRILLED HOLE PLATED WITH 0.00762MM MIN Sn
OVER 0.0254-0.0762MM Cu PLATING TO ACHIEVE A 1.02 ± 0.07 MM HOLE.
- 8) PRODUCT SPECIFICATION REFER TO FCI GS-12-658.
APPLICATION SPECIFICATION REFER TO FCI GS-20-141.
PRODUCT PACKAGED IN TRAYS, REFER TO FCI GS-14-1502.
- 9) A  SYMBOL WILL BE NEXT TO ANY DIMENSION, VIEW, OR NOTE WHICH HAS BEEN MODIFIED WITH THE CURRENT DRAWING REVISION.

dr	Peng-Bing Fu	20120901	projection	MM	size	A3	scale	3:2
eng	Peng-Bing Fu	20121113		← PwrBlade+ →	ecn no	ELX-00-018147-1		
chr	Shao-Qi Kuang	20121113			rel level	Released		
appr	Pai-Ming Zhang	20121113	product family	PwrBlade+				
		title		5HP + 2LP + 24S		eng no		10106262-5206002
www.fci.com		cat. no.		RA SOLDER HEADER		rev		B
			Product - Customer Drw		sheet 3 of 3			



Copyright FCI.