

Excellent Integrated System Limited

Stocking Distributor

Click to view price, real time Inventory, Delivery & Lifecycle Information:

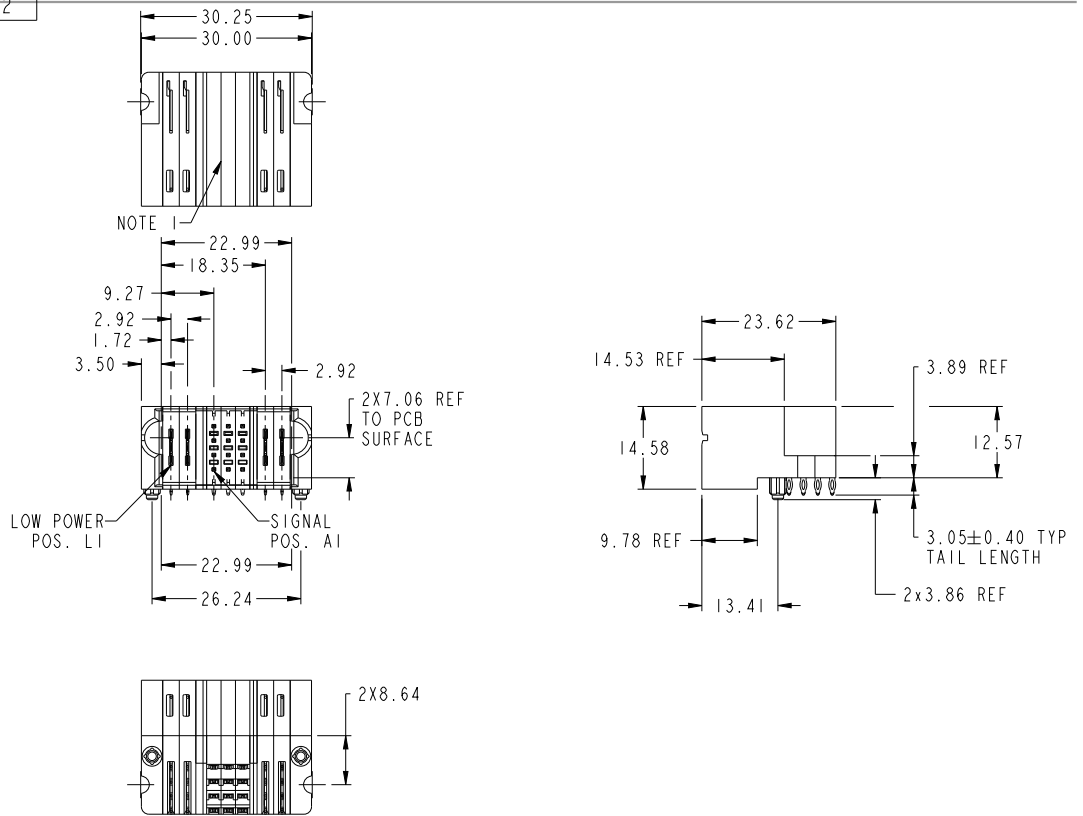
[FCI](#)

[10106263-HWPHD01LF](#)

For any questions, you can email us directly:

sales@integrated-circuit.com

PRODUCT NUMBER SEE SHEET 2



spec ref	dr	Bob Xia	2016/02/23	projection	MM	size	A3	scale	3:2		
tolerance std	eng	Rainbow Zhan	2016/02/22			ecn no	ELX-00-23338-1				
ASME Y14.5	chr	Fancy Zhang	2016/02/23			rel level	Released				
TOLERANCES UNLESS OTHERWISE SPECIFIED		appr	Pai-Ming Zhang			2016/02/25	product family	PwrBlade+			
surface	linear	0.X	±0.50			cat. no.	2LP + 12S + 2LP	eng no	10106263-HWPHD01	rev	E
		0.XX	±0.25	www.fci.com		Product - Customer Drw	sheet 1 of 3				
	angular	0°	±°								

Case File - REV E - 2016-02-22

1

2

3

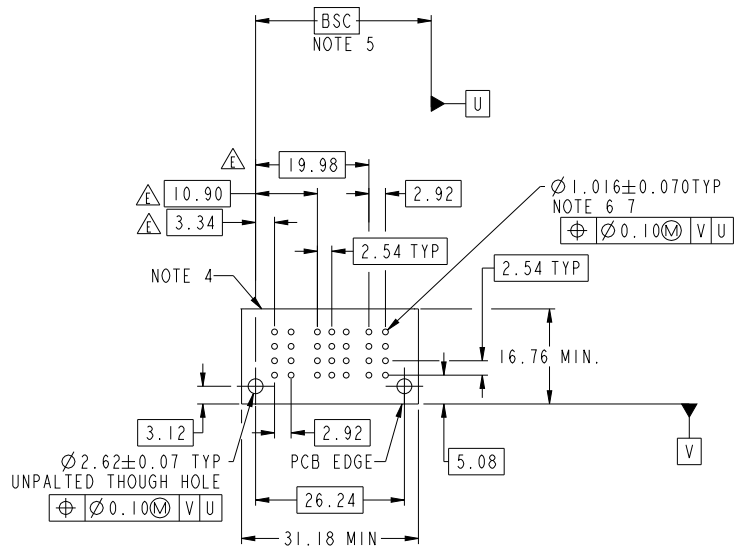
PDS: Rev E

STATUS: Released

Printed: Feb 25, 2016

Amphenol FCI © 2016 AFCE

PRODUCT NO.	ROWS	LP		SIG			LP	
		E1	P1 P2	1	2	3	P3 P4	E2
10106263-HWPHD01LF	D C B A	LS	LS	SIG	SIG	SIG	LS	LS



CODE	DESCRIPTION
LD	LMFB SIGNAL CONTACT, ROW D (3.05)
LS	STD LOW POWER CONTACT (3.05)
SA	STD SIGNAL CONTACT, ROW A (3.05)
SB	STD SIGNAL CONTACT, ROW B (3.05)
SC	STD SIGNAL CONTACT, ROW C (3.05)
SD	STD SIGNAL CONTACT, ROW D (3.05)

spec ref	dr	Bob Xie	2015/09/03	projection	MM	size	A3	scale	3:2	
tolerance std	eng	Rainbow Zhan	2016/02/22			ecn no	ELX-00-23338-1			
ASME Y14.5	chr	Fancy Zhang	2016/02/23			rel level	Released			
TOLERANCES UNLESS OTHERWISE SPECIFIED						product family	PwrBlade+			
surface	linear	0.X	±0.50			cat. no.	10106263-HWPHD01		rev	E
		0.XX	±0.25	2LP + 12S + 2LP RA PF HEADER		Product - Customer Drw	sheet 2 of 3			
	angular	0°	±°	www.fci.com						

Doc File - REV E - 2016-02-22

1

2

3

PDS: Rev E

STATUS: Released

Printed: Feb 25, 2016

Amphenol FCI © 2016 AFCl

NOTES:

- 1) "FCI", PART NUMBER AND DATE CODE TO BE MARKED ON THIS SURFACE.
THE MARK CAN BE OMITTED IF THERE IS NOT ENOUGH SPACE ON THIS SURFACE.
- 2) MATERIALS:
-HOUSING - GLASS FILLED WITH HIGH TEMP THERMOPLASTIC, UL94V-0.
-SIGNAL CONTACT - COPPER ALLOY.
-POWER CONTACT - HIGH CONDUCTIVITY COPPER ALLOY.
- 3) PLATING SPECIFICATION: 1011635I
- 4) DENOTES CONNECTOR KEEP OUT ZONE.
- 5) DATUM AND BASIC DIMENSIONS ARE ESTABLISHED BY CUSTOMER.
- 6) ALL HOLE DIAMETERS ARE FINISHED HOLE SIZES.
- 7) 1.15 ±0.025MM DRILLED HOLE PLATED WITH 0.00762MM MIN Sn
OVER 0.0254-0.0762MM Cu PLATING TO ACHIEVE A 1.02 ±0.07MM HOLE.
- 8) PRODUCT SPECIFICATION: GS-12-658.
APPLICATION SPECIFICATION: GS-20-141.
PRODUCT PACKAGED IN TRAYS: GS-14-1502.
- 9) THE ∇ SYMBOL WILL BE NEXT TO ANY DIMENSION, VIEW, OR NOTE WHICH HAS BEEN MODIFIED WITH THE CURRENT DRAWING REVISION.

spec ref	dr	Bob Xia	2016/09/03	projection	MM	size	A3	scale	3:2
tolerance std	eng	Rainbow Zhan	2016/02/22			ecn no	ELX-00-23338-1		
ASME Y14.5	chr	Fancy Zhang	2016/02/23			rel level	Released		
TOLERANCES UNLESS OTHERWISE SPECIFIED		appr	Pai-Ming Zhang			2016/02/25	product family	PwrBlade+	
surface	linear	0.X	±0.50			eng no	10106263-HWPHD01		
ASME Y14.5	∇	0.XX	±0.25			cat. no.	Product - Customer Drw		
		0.XXX	±0.10			sheet 3 of 3			
angular	0°	±°							

Doc File - REV E - 2016-02-02

1

2

3

PDS: Rev E

STATUS: Released

Printed: Feb 25, 2016

Amphenol FCI © 2016 AFCI