

## Excellent Integrated System Limited

Stocking Distributor

Click to view price, real time Inventory, Delivery & Lifecycle Information:

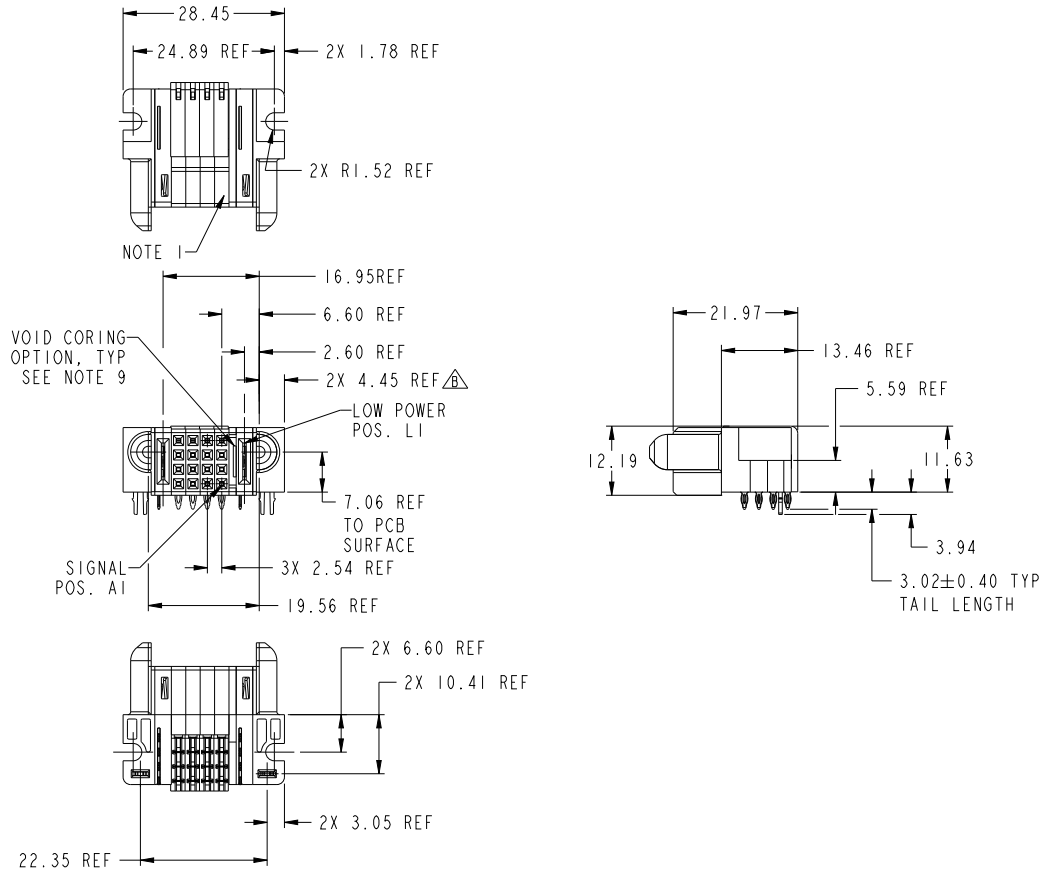
[FCI](#)

[10106265-0204001LF](#)

For any questions, you can email us directly:

[sales@integrated-circuit.com](mailto:sales@integrated-circuit.com)

PRODUCT NUMBER SEE SHEET 2



spec ref	-	dr	Kai Babu	20120912	projection	MM	size	A3	scale	3:2	
tolerance std	ASME Y14.5	eng	Peng-Bing Fu	20121014			ecn no	ELX-00-01944-1	rel level	Released	
TOLERANCES UNLESS OTHERWISE SPECIFIED		chr	Tian-Xu Huang	20121115			product family	PwrBlade+			
surface	linear	appr	Pai-Ming Zhang	20121115			cat. no.	10106265-0204001	rev	B	
	angular	www.fci.com			Product - Customer Draw		sheet 1 of 3				

Prod File - REV C - 2009-04-09

1

2

3

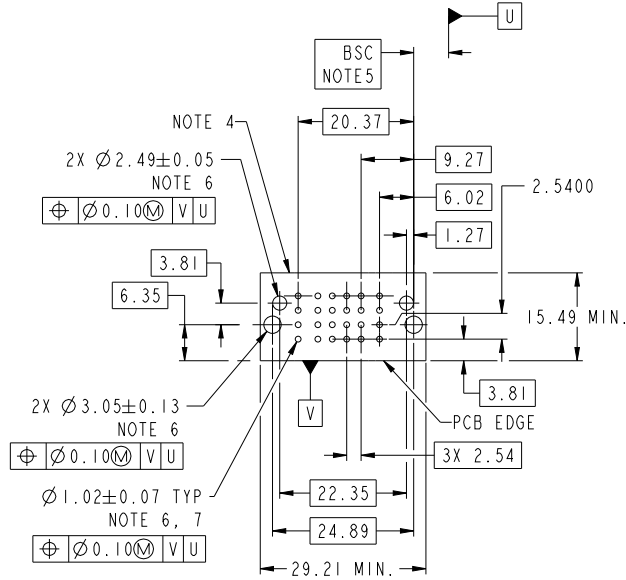
PDS: Rev B

STATUS: Released

Printed: Nov 16, 2012


PRODUCT NO.	ROWS	PINS									
		E1	L2	4	3	2	1	L1	E2		
10106265-0204001LF	D C B A										



CODE	DESCRIPTION
HA	METAL HOLD DOWN
LT	STD LOW POWER CONTACT(3.02)
N	STD SIGNAL CONTACT, ROW A
P	STD SIGNAL CONTACT, ROW B
R	STD SIGNAL CONTACT, ROW C
S	STD SIGNAL CONTACT, ROW D



dr	Kai Babu	20120912	projection	MM	size	A3	scale	3:2
eng	Peng-Bing Fu	20121014			ecn no	ELX-00-01944-1		
chr	Tian-Xu Huang	20121115			rel level	Released		
appr	Pai-Ming Zhang	20121115	product family	PwrBlade+				
			title ILP + 16S + ILP RA PF RECEPTACLE			eng no 10106265-0204001		rev B
www.fci.com			cat. no.		Product - Customer Drw		sheet 2 of 3	

NOTES:

- 1) "FCI", PART NUMBER AND DATE CODE TO BE MARKED ON THIS SURFACE.  
THE P/N CAN BE OMITTED IF THERE IS NOT ENOUGH SPACE ON THIS SURFACE.
- 2) MATERIALS:  
-HOUSING - GLASS FILLED WITH HIGH TEMP THERMOPLASTIC, UL94V-0.  
-SIGNAL CONTACT - COPPER ALLOY.  
-POWER CONTACT - HIGH CONDUCTIVITY COPPER ALLOY.
- 3) PLATING SPECIFICATION REFER TO FCI 10116351
- 4) DENOTES CONNECTOR KEEP OUT ZONE.
- 5) DATUM AND BASIC DIMENSIONS WERE ESTABLISHED BY CUSTOMER.
- 6) ALL HOLE DIAMETERS ARE FINISHED HOLE SIZES.
- 7)  $1.15 \pm 0.025$ MM DRILLED HOLE PLATED WITH 0.00762MM MIN Sn  
OVER 0.0254-0.0762MM Cu PLATING TO ACHIEVE A  $1.02 \pm 0.07$ MM HOLE.
- 8) PRODUCT SPECIFICATION REFER TO FCI GS-12-658.  
APPLICATION SPECIFICATION REFER TO FCI GS-20-141.  
PRODUCT PACKAGED IN TRAYS, REFER TO FCI GS-14-1502.
- 9) THE VOID CORING IN BETWEEN POWER MODULES, SIGNAL  
MODULES AND END MODULES ARE OPTIONAL AND THE SHAPE  
MAY BE DIFFERENT FOR OPTIMIZE THE MOLDING PROCESS. THE  
VOID CORING WILL NOT EFFECT TO PRODUCT FUNCTION.
- 10) A  SYMBOL WILL BE NEXT TO ANY DIMENSION,VIEW,OR NOTE WHICH  
HAS BEEN MODIFIED WITH THE CURRENT DRAWING REVISION.

dr	Kai Baba	20120912	projection	MM	size	A3	scale	3:2
eng	Peng-Bing Fu	20121014		←→	ecn no	ELK-00-01844-1		
chr	Tian-Xu Huang	20121115			rel level	Released		
appr	Pai-Ming Zhang	20121115	product family	PwrBlade+				
		title		ILP + 16S + ILP		eng no	10106265-0204001	
www.fci.com		cat. no.		3		rev	B	
			Product - Customer Draw		sheet 3 of 3			



Copyright FCI.