

Excellent Integrated System Limited

Stocking Distributor

Click to view price, real time Inventory, Delivery & Lifecycle Information:

[FCI](#)

[10106265-0704001LF](#)

For any questions, you can email us directly:

sales@integrated-circuit.com

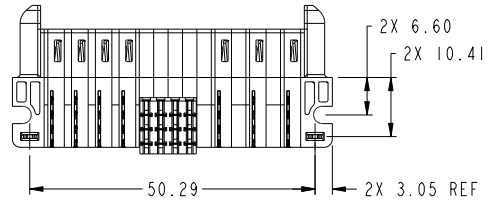
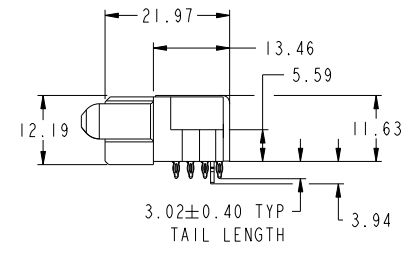
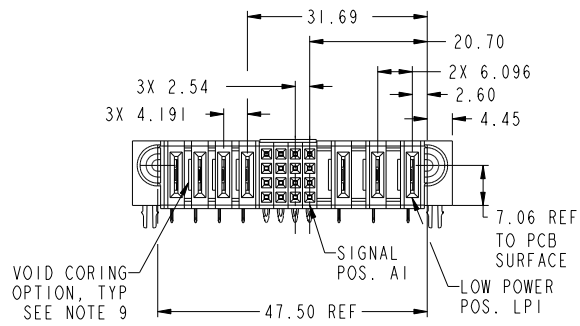
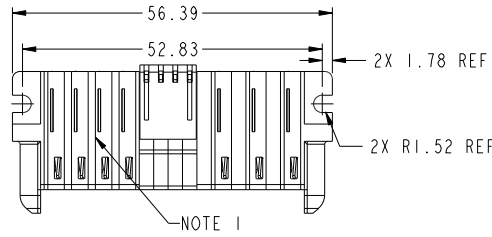
PRODUCT NUMBER SEE SHEET 2

A

B

C

D



Copyright FCI.

spec ref	*	dr	Rainbow Zhan	20140513	projection	MM	size	A3	scale	3:2
tolerance std	ASME Y14.5	eng	Rainbow Zhan	20150107	chr	-	ecn no	-	rel level	Released
TOLERANCES UNLESS OTHERWISE SPECIFIED		appr	Pai-Ming Zhang	20150107	product family	PwrBlade+	rel level	Released		
surface	linear	0.X	±0.5		title	3LP + 16S + 4LP	dwg no	10106265-0704001	rev	A
		0.XX	±0.25		www.fci.com	cat. no.		Product - Customer Drw	sheet 1 of 3	
	angular	0°	±2°							

Prod File - REV C - 2010-04-09

1

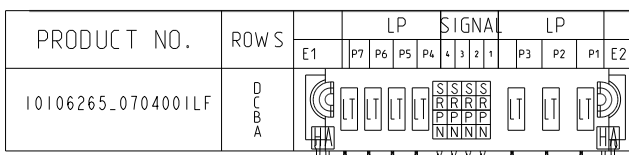
2

3

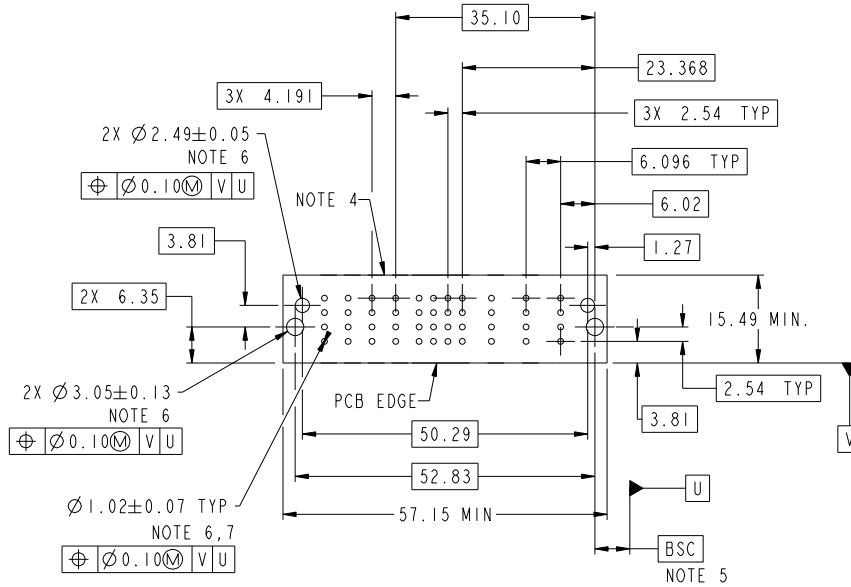
PDS: Rev :A

STATUS:Released

Printed: Jan 08, 2015



CODE	DESCRIPTION
HA	METAL HOLD DOWN
LT	STD LOW POWER CONTACT(3.02)
N	STD SIGNAL CONTACT, ROW A
P	STD SIGNAL CONTACT, ROW B
R	STD SIGNAL CONTACT, ROW C
S	STD SIGNAL CONTACT, ROW D



dr	Rainbow Zhou	20140919	projection	MM	size	A3	scale	3:2
eng	Rainbow Zhou	20150107			ecn no.	-		
chr	-	-			rel level	-		
appr	Pai-Ming Zhang	20150107	product family	PwrBlade+	rel level	Released		
		title 3LP + 16S + 4LP RA PF RECEPTACLE		dwg no 10106265_0704001	rev A		www.fci.com cat. no.	
Product - Customer Drw			sheet 2 of 3					

NOTES:

- 1) "FCI", PART NUMBER AND DATE CODE TO BE MARKED ON THIS SURFACE.
THE MARK CAN BE OMITTED IF THERE IS NOT ENOUGH SPACE ON THIS SURFACE.
- 2) MATERIALS:
-HOUSING - GLASS FILLED WITH HIGH TEMP THERMOPLASTIC, UL94V-0.
-SIGNAL CONTACT - COPPER ALLOY.
-POWER CONTACT - HIGH CONDUCTIVITY COPPER ALLOY.
- 3) PLATING SPECIFICATION REFER TO FCI 10116351
- 4) DENOTES CONNECTOR KEEP OUT ZONE.
- 5) DATUM AND BASIC DIMENSIONS WERE ESTABLISHED BY CUSTOMER.
- 6) ALL HOLE DIAMETERS ARE FINISHED HOLE SIZES.
- 7) 1.15 ± 0.025 MM DRILLED HOLE PLATED WITH 0.00762MM MIN Sn
OVER 0.0254-0.0762MM Cu PLATING TO ACHIEVE A 1.02 ± 0.07 MM HOLE.
- 8) PRODUCT SPECIFICATION REFER TO FCI GS-12-658.
APPLICATION SPECIFICATION REFER TO FCI GS-20-141.
PRODUCT PACKAGED IN TRAYS, REFER TO FCI GS-14-1502.
- 9) THE VOID CORING IN BETWEEN POWER MODULES, SIGNAL
MODULES AND END MODULES ARE OPTIONAL AND THE SHAPE
MAY BE DIFFERENT FOR OPTIMIZE THE MOLDING PROCESS. THE
VOID CORING WILL NOT EFFECT TO PRODUCT FUNCTION.

dr	Rainbow Zhan	20140919	projection	MM	size	A3	scale	3:2
eng	Rainbow Zhan	20150107			ecn no	-	rel level	
chr	-	-			Released			
appr	Pai-Ming Zhang	20150107	product family	PwrBlade+				
		title 3LP + 16S + 4LP RA PF RECEPTACLE		dwg no 10106265_0704001	rev A			
www.fci.com		cat. no.	Product - Customer Drw		sheet 3 of 3			



Copyright FCI.