

Excellent Integrated System Limited

Stocking Distributor

Click to view price, real time Inventory, Delivery & Lifecycle Information:

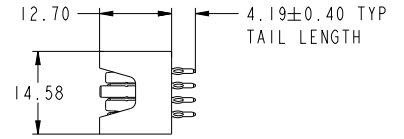
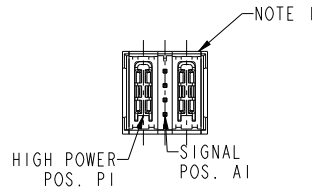
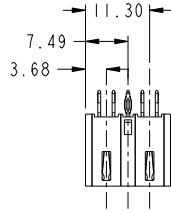
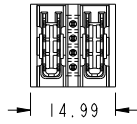
[FCI](#)

[10106267-2001003LF](#)

For any questions, you can email us directly:

sales@integrated-circuit.com

PART NUMBER SEE SHEET 2



Copyright FCI.

spec ref	*	dr	Rainbow Zhan	20141120	projection	MM	size	A3	scale	3:2	
tolerance std	ASME Y14.5	eng	Rainbow Zhan	20141124			ecn no		rel level	Released	
TOLERANCES UNLESS OTHERWISE SPECIFIED		chr	Li-Hu	20141124			product family	PwrBlade+			
surface	linear	appr	Pai-Ming Zhang	20141124					cat. no.	10106267-2001003	rev
	angular				www.fci.com		Product - Customer Drw		sheet 1 of 3		
	0.X	±0.5									
	0.XX	±0.25									
	0.XXX	±0.10									
	0°	±2°									

Print Date - REV C - 2009-04-20

1

2

3

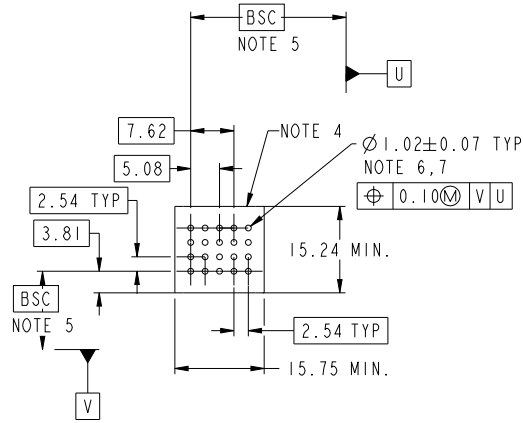
PDS: Rev :A

STATUS:Released

Printed: Nov 25, 2014

PRODUCT NO.	ROWS	HP		HP	
		E1	P1	1	P2
10106267-2001003LF	D C B A	H 4 G H		H 4 G H	

CODE	DESCRIPTION
G	STD SIGNAL CONTACT
H4	STD HIGH POWER CONTACT
K	MLBF SIGNAL CONTACT



dr	Rainbow Zhan	20141120	projection	MM	size	A3	scale	3:2			
eng	Rainbow Zhan	20141124			ecn no						
chr	Li-Hu	20141124			rel level	Released					
appr	Pai-Ming Zhang	20141124	product family	PwrBlade+							
					title	IP + 4S + IP		eng no	10106267-2001003	rev	A
www.fci.com					cat. no.	Product - Customer Drw		sheet 2 of 3			



NOTES:

- 1) "FCI", PART NUMBER AND DATE CODE TO BE MARKED ON THIS SURFACE.
THE MARK CAN BE OMITTED IF THERE IS NOT ENOUGH SPACE ON THIS SURFACE.
- 2) MATERIALS:
-HOUSING - GLASS FILLED WITH HIGH TEMP THERMOPLASTIC, UL94V-0.
-SIGNAL CONTACT - COPPER ALLOY.
-POWER CONTACT - HIGH CONDUCTIVITY COPPER ALLOY.
- 3) PLATING SPECIFICATION REFER TO FCI 10116351
- 4) DENOTES CONNECTOR KEEP OUT ZONE.
- 5) DATUM AND BASIC DIMENIONS WERE ESTABLISHED BY CUSTOMER.
- 6) ALL HOLE DIAMETERS ARE FINISHED HOLE SIZES.
- 7) 1.15±0.025MM DRILLED HOLE PLATED WITH 0.00762MM MIN Sn
OVER 0.0254-0.0762MM Cu PLATING TO ACHIEVE A 1.02±0.07MM HOLE.
- 8) PRODUCT SPECIFICATION REFER TO FCI GS-12-658.
APPLICATION SPECIFICATION REFER TO FCI GS-20-141.
PRODUCT PACKAGED IN TRAYS, REFER TO FCI GS-14-1502.

dr	Rainbow Zhan	20141120	projection	MM	size	A3	scale	3:2
eng	Rainbow Zhan	20141124			ecn no	-	rel level	
chr	Li-Hu	20141124			Product family		PwrBlade+	Released
appr	Pai-Ming Zhang	20141124	product family		PwrBlade+	rel level		Released
		title IP + 4S + IP VERTICAL PF HEADER		eng no 10106267-2001003	rev A		www.fci.com	
cat. no. 3		PDS: Rev A		Product - Customer Drw 4		STATUS:Released		sheet 3 of 3 Printed: Nov 25, 2014



Copyright FCI.