

Excellent Integrated System Limited

Stocking Distributor

Click to view price, real time Inventory, Delivery & Lifecycle Information:

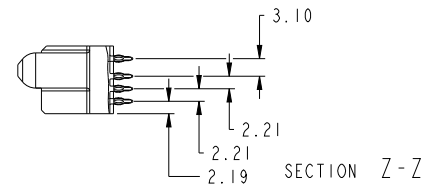
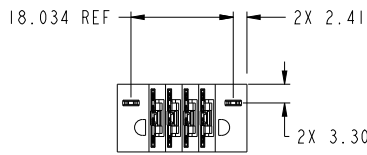
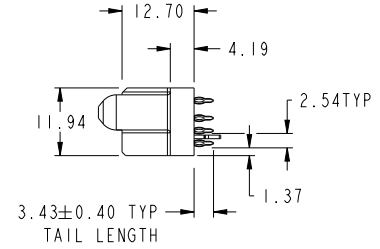
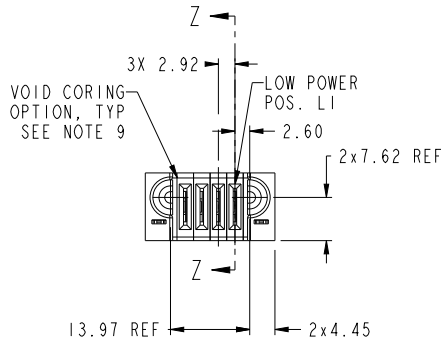
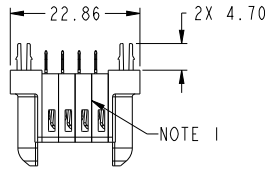
[FCI](#)

[10106269-0400001LF](#)

For any questions, you can email us directly:

sales@integrated-circuit.com

PRODUCT NUMBER SEE SHEET 2



spec ref	dr	Xia Bob	20130604	projection	MM	size	A3	scale	3:2
tolerance std	eng	Xia Bob	20130620			ecn no	-	rel level	Released
ASME Y14.5	chr	Li-Hu	20130619						
TOLERANCES UNLESS OTHERWISE SPECIFIED				product family	PowerBlade+				
surface	<input checked="" type="checkbox"/> linear <input type="checkbox"/> angular	0.X	±0.50		title 4LP VT PF RECEPTACLE	eng no 10106269-0400001	rev A		
		0.XX	±0.25						
		0.XXX	±0.10						
ASME Y14.5		0°	±2°	www.fci.com	cat. no.	Product - Customer Drw	sheet 1 of 3		

Prod File - REC C - 2009-04-20

1

2

3

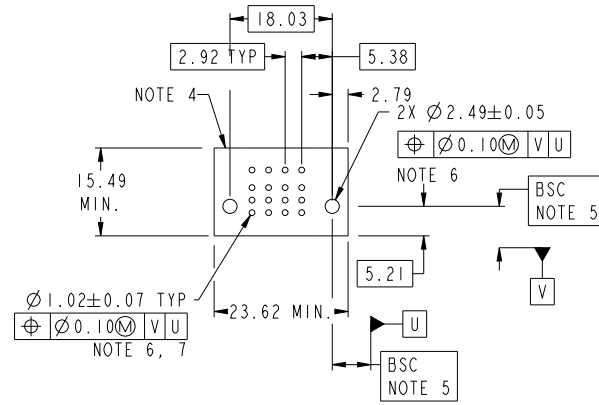
PDS: Rev :A

STATUS:Released

Printed: Jun 20, 2013

PRODUCT NO.	ROWS	LP					
		E1	P4	P3	P2	P1	E2
10106269-0400001LF	D C B A						

CODE	DESCRIPTION
HA	METAL HOLD DOWN
LT	STD LOW POWER CONTACT (3.43)



dr	Xia Bob	2013/06/04	projection	MM	size	A3	scale	3:2
eng	Xia Bob	2013/06/20		← PowerBlade+ →	ecn no			
chr	Li-Hu	2013/06/19			product family	PowerBlade+	rel level	Released
appr	Pai-Ming Zhang	2013/06/20			www.fci.com	cat. no.	10106269-0400001	rev
						Product - Customer Drw		sheet 2 of 3

NOTES:

- 1) "FCI", PART NUMBER AND DATE CODE TO BE MARKED ON THIS SURFACE.
THE MARK CAN BE OMITTED IF THERE IS NOT ENOUGH SPACE ON THIS SURFACE.
- 2) MATERIALS:
-HOUSING - GLASS FILLED WITH HIGH TEMP THERMOPLASTIC, UL94V-0.
-SIGNAL CONTACT - COPPER ALLOY.
-POWER CONTACT - HIGH CONDUCTIVITY COPPER ALLOY.
- 3) PLATING SPECIFICATION REFER TO FCI 10116351
- 4) DENOTES CONNECTOR KEEP OUT ZONE.
- 5) DATUM AND BASIC DIMENSIONS WERE ESTABLISHED BY CUSTOMER.
- 6) ALL HOLE DIAMETERS ARE FINISHED HOLE SIZES.
- 7) 1.15 ± 0.025 MM DRILLED HOLE PLATED WITH 0.00762MM MIN Sn
OVER 0.0254-0.0762MM Cu PLATING TO ACHIEVE A 1.02 ± 0.07 MM HOLE.
- 8) PRODUCT SPECIFICATION REFER TO FCI GS-12-658.
APPLICATION SPECIFICATION REFER TO FCI GS-20-141.
PRODUCT PACKAGED IN TRAYS, REFER TO FCI GS-14-1502.
- 9) THE VOID CORING IN BETWEEN POWER MODULES, SIGNAL
MODULES AND END MODULES ARE OPTIONAL AND THE SHAPE
MAY BE DIFFERENT FOR OPTIMIZE THE MOLDING PROCESS. THE
VOID CORING WILL NOT EFFECT TO PRODUCT FUNCTION.

dr	Xia Bob	2013/06/04	projection	MM	size	A3	scale	1:1	
eng	Xia Bob	2013/06/20			ecn no		rel level	Released	
chr	Li He	2013/06/19							
appr	Pai-Ming Zhang	2013/06/20	product family	PowerBlade+					
		title	4LP VT PF RECEPTACLE		eng no	10106269-0400001		rev	A
www.fci.com		cat. no.	3		Product - Customer Drw		sheet 3 of 3		



Copyright FCI.