

## Excellent Integrated System Limited

Stocking Distributor

Click to view price, real time Inventory, Delivery & Lifecycle Information:

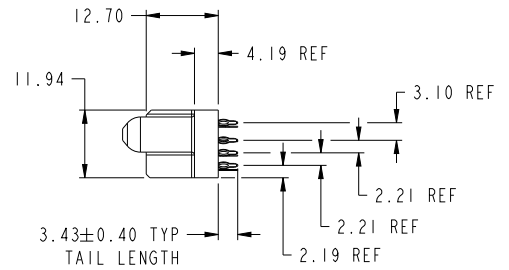
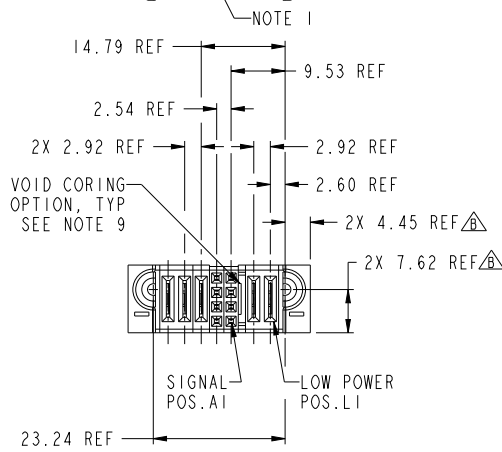
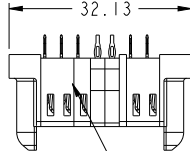
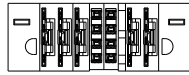
[FCI](#)

[10106269-0502001LF](#)

For any questions, you can email us directly:

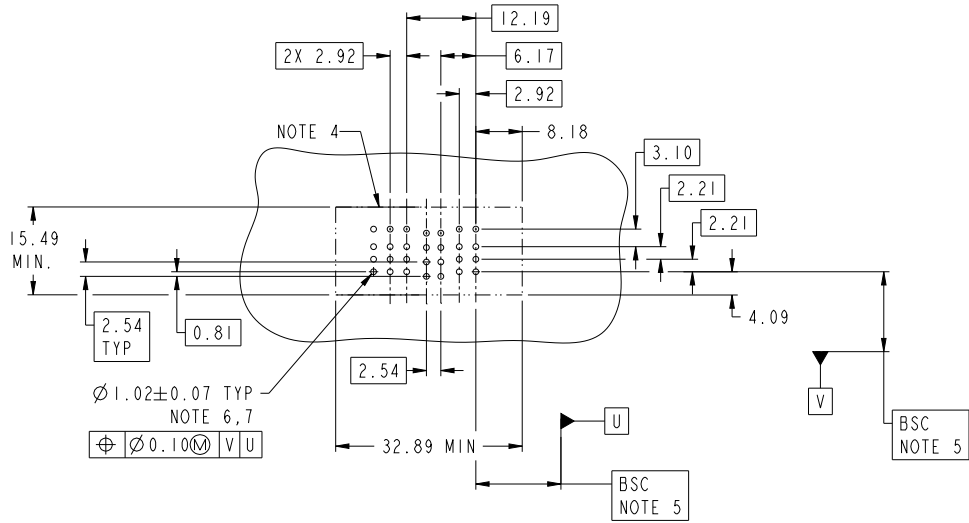
[sales@integrated-circuit.com](mailto:sales@integrated-circuit.com)

PART NUMBER 10106269-0502001LF



spec ref	-	dr	Heiko Zhang	20110622	projection	mm	size	A3	scale	3:2		
tolerance std	ISO 406 ISO 1101	eng	Peng-Bing Fu	20121115			ecn no	ELX-00-01846-1	rel level	Released		
TOLERANCES UNLESS OTHERWISE SPECIFIED		chr	Tian-Xu Huang	20121115							product family	PwrBlade+
surface	ISO 1302	appr	Pai-Ming Zhang	20121115							cat. no.	10106269-0502001
linear	0.X ±0.50 0.XX ±0.25 0.XXX ±0.10			title 2LP + 8S + 3LP VERTICAL PF RECEPTACLE		Product - Customer Drw		sheet 1 of 3				
angular	0° ±2°	www.fci.com		PDS: Rev.B		STATUS: Released		Printed: Nov 14, 2012				

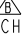
PRODUCT NUMBER	ROWS	POWER	SIGNAL	POWER	CODE	DESCRIPTION
10106269-0502001LF	D C B A	L5 L4 L3	L2 L1	L1	LT	STD LOW POWER CONTACT
					S	STD SIGNAL CONTACT

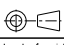



dr	Helen Zhang	20110622	projection	mm	size	A3	scale	3:2	
eng	Peng-Bing Fu	20121113				ecn no	ELX-00-01846-1		
chr	Tian-Xu Huang	20121113							
appr	Pai-Ming Zhang	20121113	product family	PwrBlade+	rel level	Released			
			title	2LP + 8S + 3LP VERTICAL PF RECEPTACLE		eng no	10106269-0502001	rev	B
www.fci.com			cat. no.	-		Product - Customer Drw		sheet 2 of 3	



NOTES:

- 1) "FCI", PART NUMBER AND DATE CODE TO BE MARKED ON THIS SURFACE.  
THE P/N CAN BE OMITTED IF THERE IS NOT ENOUGH SPACE ON THIS SURFACE.
- 2) MATERIALS:  
-HOUSING - GLASS FILLED WITH HIGH TEMP THERMOPLASTIC, UL94V-0.  
-SIGNAL CONTACT - COPPER ALLOY.  
-POWER CONTACT - HIGH CONDUCTIVITY COPPER ALLOY.
- 3) PLATING SPECIFICATION REFER TO FCI 10116351.
- 4) DENOTES CONNECTOR KEEP OUT ZONE.
- 5) DATUM AND BASIC DIMENIONS WERE ESTABLISHED BY CUSTOMER.
- 6) ALL HOLE DIAMETERS ARE FINISHED HOLE SIZES.
- 7)  $1.15 \pm 0.025$ MM DRILLED HOLE PLATED WITH 0.00762MM MIN Sn  
OVER 0.0254-0.0762MM Cu PLATING TO ACHIEVE A  $1.02 \pm 0.07$ MM HOLE.
- 8) PRODUCT SPECIFICATION REFER TO FCI GS-12-658.  
APPLICATION SPECIFICATION REFER TO FCI GS-20-141.  
PRODUCT PACKAGED IN TRAYS, REFER TO FCI GS-14-1502.
- 9) THE VOID CORING IN BETWEEN POWER MODULES, SIGNAL  
MODULES AND END MODULES ARE OPTIONAL AND THE SHAPE  
MAY BE DIFFERENT FOR OPTIMIZE THE MOLDING PROCESS. THE  
VOID CORING WILL NOT EFFECT TO PRODUCT FUNCTION.
- 10) A  SYMBOL WILL BE NEXT TO ANY DIMENSION, VIEW, OR NOTE  
WHICH HAS BEEN MODIFIED WITH THE CURRENT DRAWING REVISION.

dr	Heiko Zhang	20110622	projection	mm	size	A3	scale	3:2
eng	Peng-Bing Fu	20121113		← PwrBlade+ →	ecp no	ELX-00-01846-1		
chr	Tian-Xu Huang	20121113			rel level	Released		
appr	Pai-Ming Zhang	20121113	product family	PwrBlade+				
		title		2LP + 8S + 3LP		eng no		10106269-0502001
www.fci.com		cat. no.		-		Product - Customer Draw		sheet 3 of 3
		3		PDS: Rev.B		STATUS:Released		Printed: Nov 14, 2012



Copyright FCI.